

12/6 FAZ Miniature Circuit-Breakers
Switching Capacity 15 kA (IEC/EN 60947-2)

Moeller HPL0211-2004/2005

Miniature Circuit-Breakers, MCB Enclosures, Fuse Enclosures

Rated current	1-pole		2-pole With 2 protected poles		3-pole With 3 protected poles	
	Type Article no.	Std. pack	Type Article no.	Std. pack	Type Article no.	Std. pack
I_n						
A						
FAZ miniature circuit-breakers						
C Response current of short-circuit release $5 - 10 \times I_n$	0,5	FAZ-C0,5/1 278544	12 off	FAZ-C0,5/2 278743	1 off	FAZ-C0,5/3 278856
	1	FAZ-C1/1 278546		FAZ-C1/2 278745		FAZ-C1/3 278858
	1,6	FAZ-C1,6/1 278548		FAZ-C1,6/2 278747		FAZ-C1,6/3 278860
	2	FAZ-C2/1 278549		FAZ-C2/2 278748		FAZ-C2/3 278861
	3	FAZ-C3/1 278551		FAZ-C3/2 278750		FAZ-C3/3 278863
	4	FAZ-C4/1 278553		FAZ-C4/2 278752		FAZ-C4/3 278865
	6	FAZ-C6/1 278555		FAZ-C6/2 278754		FAZ-C6/3 278867
	8	FAZ-C8/1 278556		FAZ-C8/2 278755		FAZ-C8/3 278868
	10	FAZ-C10/1 278557		FAZ-C10/2 278756		FAZ-C10/3 278869
	13	FAZ-C13/1 278559		FAZ-C13/2 278758		FAZ-C13/3 278871
	16	FAZ-C16/1 278561		FAZ-C16/2 278760		FAZ-C16/3 278873
	20	FAZ-C20/1 278562		FAZ-C20/2 278761		FAZ-C20/3 278874
	25	FAZ-C25/1 278563		FAZ-C25/2 278762		FAZ-C25/3 278875
	32	FAZ-C32/1 278564		FAZ-C32/2 278763		FAZ-C32/3 278876
	40	FAZ-C40/1 278565		FAZ-C40/2 278764		FAZ-C40/3 278877
	50	FAZ-C50/1 278566		FAZ-C50/2 278765		FAZ-C50/3 278878
63	FAZ-C63/1 278567		FAZ-C63/2 278766		FAZ-C63/3 278879	
D Response current of short-circuit release $10 - 20 \times I_n$	6	FAZ-D6/1 278578	12 off	FAZ-D6/2 278777	1 off	FAZ-D6/3 278890
	8	FAZ-D8/1 278579		FAZ-D8/2 278778		FAZ-D8/3 278891
	10	FAZ-D10/1 278580		FAZ-D10/2 278779		FAZ-D10/3 278892
	13	FAZ-D13/1 278582		FAZ-D13/2 278781		FAZ-D13/3 278894
	16	FAZ-D16/1 278584		FAZ-D16/2 278783		FAZ-D16/3 278896
	20	FAZ-D20/1 278585		FAZ-D20/2 278784		FAZ-D20/3 278897
	25	FAZ-D25/1 278586		FAZ-D25/2 278785		FAZ-D25/3 278898
	32	FAZ-D32/1 278587		FAZ-D32/2 278786		FAZ-D32/3 278899
40	FAZ-D40/1 278588		FAZ-D40/2 278787		FAZ-D40/3 278900	



FAZ Miniature Circuit-Breakers 12/7
Switching Capacity 15 kA (IEC/EN 60947-2)

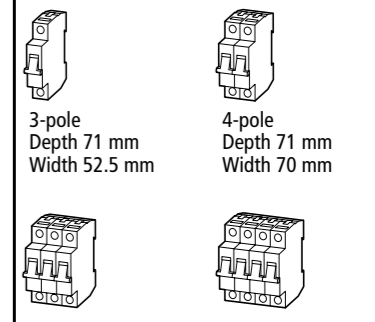
Moeller HPL0211-2004/2005

Miniature Circuit-Breakers, MCB Enclosures, Fuse Enclosures

Rated current	4-pole With 4 protected poles		2-pole With 1 protected pole, N switching with pole		4-pole With 3 protection poles, N switching with poles	
	Type Article no.	Std. pack	Type Article no.	Std. pack	Type Article no.	Std. pack
I_n						
A						
FAZ miniature circuit-breakers						
C Response current of short-circuit release $5 - 10 \times I_n$	0,5	FAZ-C0,5/4 279044	1 off	FAZ-C0,5/1N 278657	1 off	FAZ-C0,5/3N 278958
	1	FAZ-C1/4 279046		FAZ-C1/1N 278659		FAZ-C1/3N 278960
	1,6	FAZ-C1,6/4 279048		FAZ-C1,6/1N 278661		FAZ-C1,6/3N 278962
	2	FAZ-C2/4 279049		FAZ-C2/1N 278662		FAZ-C2/3N 278963
	3	FAZ-C3/4 279051		FAZ-C3/1N 278664		FAZ-C3/3N 278965
	4	FAZ-C4/4 279053		FAZ-C4/1N 278666		FAZ-C4/3N 278967
	6	FAZ-C6/4 279055		FAZ-C6/1N 278668		FAZ-C6/3N 278969
	8	FAZ-C8/4 279056		FAZ-C8/1N 278669		FAZ-C8/3N 278970
	10	FAZ-C10/4 279057		FAZ-C10/1N 278670		FAZ-C10/3N 278971
	13	FAZ-C13/4 279059		FAZ-C13/1N 278672		FAZ-C13/3N 278973
	16	FAZ-C16/4 279061		FAZ-C16/1N 278674		FAZ-C16/3N 278975
	20	FAZ-C20/4 279062		FAZ-C20/1N 278675		FAZ-C20/3N 278976
	25	FAZ-C25/4 279063		FAZ-C25/1N 278676		FAZ-C25/3N 278977
	32	FAZ-C32/4 279064		FAZ-C32/1N 278677		FAZ-C32/3N 278978
	40	FAZ-C40/4 279065		FAZ-C40/1N 278678		FAZ-C40/3N 278979
	50	FAZ-C50/4 279066		FAZ-C50/1N 278679		FAZ-C50/3N 278980
63	FAZ-C63/4 279067		FAZ-C63/1N 278680		FAZ-C63/3N 278981	
D Response current of short-circuit release $10 - 20 \times I_n$	6	FAZ-D6/4 279078	1 off	-		FAZ-D6/3N 278992
	8	FAZ-D8/4 279079		-		FAZ-D8/3N 278993
	10	FAZ-D10/4 279080		-		FAZ-D10/3N 278994
	13	FAZ-D13/4 279082		-		FAZ-D13/3N 278996
	16	FAZ-D16/4 279084		-		FAZ-D16/3N 278998
	20	FAZ-D20/4 279085		-		FAZ-D20/3N 278999
	25	FAZ-D25/4 279086		-		FAZ-D25/3N 29000
	32	FAZ-D32/4 279087		-		FAZ-D32/3N 279001
40	FAZ-D40/4 279088		-		FAZ-D40/3N 279002	

Switching capacity (IEC/EN 60898)	10 kA
Switching capacity (IEC/EN 60947-2)	15 kA
Accessories	Page
Auxiliary contacts, Voltage releases	12/21
Mounting accessories	12/23

1-pole Depth 71 mm Width 17.5 mm	2-pole Depth 71 mm Width 35 mm
3-pole Depth 71 mm Width 52.5 mm	4-pole Depth 71 mm Width 70 mm



Type: **FAZ-B10/1**
 Article No.: **278531**

Instantaneous release response current $3 - 5 \times I_n$

Ordering information

Rated current	I_n	A	10
---------------	-------	---	----

Notes concerning the product group

Switching capacity
 (IEC/EN 60898) 10 kA

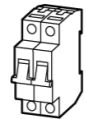
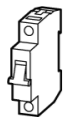
Switching capacity
 (IEC/EN 60947-2) 15 kA

FAZ-B4/1-HI, FAZ-B4/2-HS Special miniature circuit-breakers with much reduced let-through energy to prevent contact welding of 1 **auxiliary contacts**.

1-pole 2-pole;
 1N-pole

Depth 71 mm Depth 71 mm

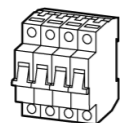
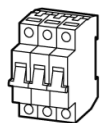
Width 17.5 mm Width 35 mm



3-pole 4-pole; 3-pole
 + N

Depth 71 mm Depth 71 mm

Width 52.5 mm Width 70 mm



Accessories

Auxiliary contacts
Voltage releases
Mounting accessories

Electrical			
Standards			IEC/EN 61131-2
Rated operational voltage			
Rated operating voltage		V AC	230/400
		V DC	48 (per pole)
Rated switching capacity		kA	15
Operational switching capacity		kA	7,5
Characteristic			B, C, D, K, Z, S
Max. back-up fuse		A gL/gG	125
Selectivity Class			3
Lifespan	Operations		> 10000
Direction of incoming supply			As required
Mechanical			
Standard front dimension		mm	45
Enclosure height		mm	80
Terminal protection			Finger and back-of-hand proof to BGV A2
Mounting width per pole		mm	17,5
Mounting			IEC/EN 60715 top-hat rail
Protection type			IP20, IP40 (when fitted)
Terminals top and bottom			Twin-purpose terminals
Terminal capacities			
		mm ²	1 × 25
		mm ²	2 × 10
Thickness of busbar material		mm	0.8 – 2
Mounting position			As required

Moeller GmbH, Hein-Moeller-Str. 7-11, D-53115 Bonn
E-Mail: catalog@moeller.net, Internet: www.moeller.net, <http://catalog.moeller.net>
Copyright 2006 by Moeller GmbH. Subject to modifications. HPL-C2006G V2.2

X-ON Electronics

Largest Supplier of Electrical and Electronic Components

Click to view similar products for [Circuit Breakers](#) category:

Click to view products by [Eaton](#) manufacturer:

Other Similar products are found below :

[M39019/04-249S](#) [M39019/04-313S](#) [M55629/1-001](#) [M55629/1-016](#) [M55629/1-018](#) [M55629/1-021](#) [M55629/1-033](#) [M55629/1-036](#) [M55629/1-046](#) [M55629/1-048](#) [M55629/1-058](#) [M55629/1-060](#) [M55629/1-067](#) [M55629/1-070](#) [M55629/1-079](#) [M55629/1-084](#) [M55629/1-085](#) [M55629/1-101](#) [M55629/1-108](#) [M55629/1-109](#) [M55629/11-102](#) [M55629/1-120](#) [M55629/12-045](#) [M55629/12-046](#) [M55629/1-243](#) [M55629/1-330](#) [M55629/1-331](#) [M55629/1-351](#) [M55629/1-366](#) [M55629/1-387](#) [M55629/1-388](#) [M55629/1-401](#) [M55629/1-430](#) [M55629/1-450](#) [M55629/1-453](#) [M55629/2-022](#) [M55629/2-037](#) [M55629/2-082](#) [M55629/2-099](#) [M55629/2-101](#) [M55629/2-102](#) [M55629/2-115](#) [M55629/2-116](#) [M55629/2-183](#) [M55629/21-HM-HM](#) [M55629/21-NS-NS](#) [M55629/21-SK-UK](#) [M55629/22-NR-NR-NR](#) [M55629/22-RS-RS-RS](#) [M55629/22-TM-TM-TM](#)