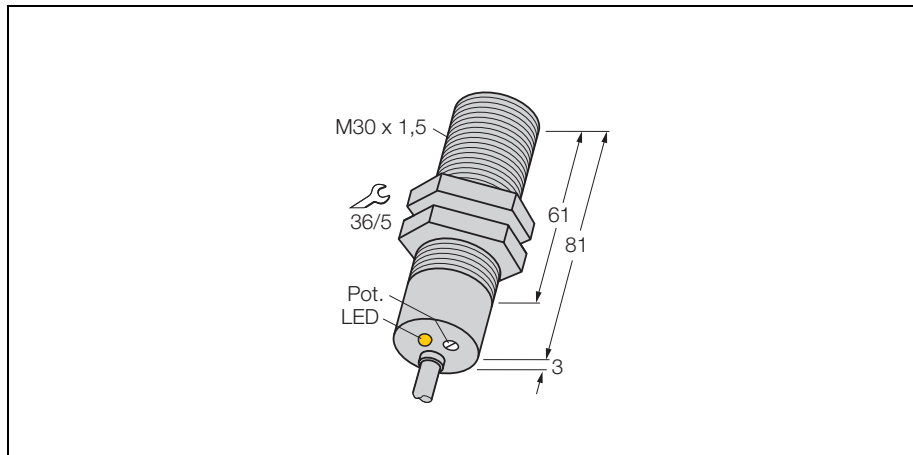


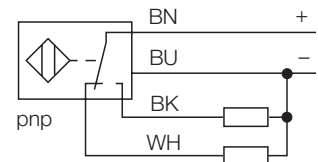
## Capacitive sensor

### BC10-M30-VP4X



- threaded barrel, M30 x 1,5
- chrome-plated brass
- fine adjustment via potentiometer
- 4-wire DC, 10...65 VDC
- SPDT, pnp output
- cable connection

#### Wiring diagram



#### Function principles

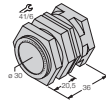
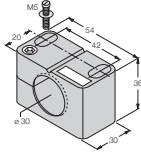
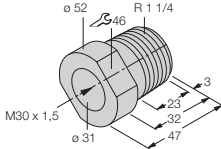
Capacitive proximity switches are designed for non-contact and wear-free detection of metal (electrically conductive) and non-metal (electrically non-conductive) objects.

|   |                            |
|---|----------------------------|
| <b>Type</b>   | BC10-M30-VP4X              |
| Ident-No.   | 25020                      |
| <b>Rated operating distance Sn</b>                  | 10 mm, flush mounting      |
| Rated operating distance Sn                         | 10 mm, non-flush mounting  |
| Hysteresis (switching distance)                     | 2... 20 %                  |
| Temperature drift                                   | ≤ ± 20 %                   |
| Min. repeat accuracy                                | ≤ 2 %                      |
| Operating temperature                               | -25 ...+ 70 °C             |
| <b>Rated operational voltage (DC) U<sub>B</sub></b> | 10... 65 VDC               |
| Max. ripple   | ≤ 10 % U <sub>pp</sub>     |
| Rated operational current (DC) I <sub>e</sub>       | ≤ 200 mA                   |
| No-load current I <sub>0</sub>                      | ≤ 15 mA                    |
| Max. OFF-state current                              | ≤ 0,1 mA                   |
| Max. switching frequency                            | ≤ 0,1 kHz                  |
| Rated insulation voltage                            | ≤ 0,5 kV                   |
| Output function                                     | 4-wire, complementary, PNP |
| Short-circuit protection                            | yes, cyclic                |
| Max. voltage drop at I <sub>e</sub>                 | ≤ 1,8 V                    |
| Wire breakage / reverse polarity protection         | yes / complete             |
| <b>Housing style</b>                                | threaded barrel; M30 x 1,5 |
| Dimensions  | 81 mm                      |
| Housing material                                    | metal, CuZn, chrome-plated |
| Active face   | plastic, PA12-GF30         |
| Max. fixing torque of coupling nut                  | 25 Nm                      |
| Wiring  | cable                      |
| Cable   | Ø 5,2, LifYY, PVC, 2 m     |
| Cable cross section                                 | 4 x 0,34 mm <sup>2</sup>   |
| Vibration resistance                                | 55 Hz (1 mm)               |
| Shock resistance                                    | 30 x g (11 ms)             |
| Degree of protection                                | IP67                       |
| <b>Switching status indication</b>                  | LED yellow                 |

## Capacitive sensor

### BC10-M30-VP4X

#### Accessories

| Typ     | Ident-No. | Description  | Dimension drawing  |
|---------|-----------|--|--|
| QM-30   | 6945103   | quick-mount fixing clamp with dead-stop; material: chrome-plated brass external thread M36 x 1,5.  |   |
| BST-30B | 6947216   | fixing clamp with dead-stop; material: PA6   |   |
| MAP-M30 | 6950013   | mounting adapter; material: Polypropylen; sensor replacement with filled container possible (adapter remains in container during sensor replacement) |  |

## X-ON Electronics

Largest Supplier of Electrical and Electronic Components

*Click to view similar products for [Proximity Sensors](#) category:*

*Click to view products by [Turck](#) manufacturer:*

Other Similar products are found below :

[01.001.5653.1](#) [70.340.1028.0](#) [70.360.2428.0](#) [70.364.4828.0](#) [70.810.1053.0](#) [72.360.1628.0](#) [73.363.6428.0](#) [9221350022](#) [980659-1](#) [QT-12](#)  
[E2EX10D1NN](#) [E2E-X14MD1-G](#) [E2E-X2D1-G](#) [E2EX2ME2N](#) [E2E-X3D1-N](#) [10M](#) [E2E-X4MD1-G](#) [E2FMX1R5D12M](#) [E2K-F10MC1](#) [5M](#)  
[EI1204TBOSL-6](#) [EI5515NPAP](#) [BSA-08-25-08](#) [IC08ANC15PO-K](#) [IMM2582C](#) [25.161.3253.0](#) [25.332.0653.1](#) [25.352.0653.0](#) [25.352.0753.0](#)  
[25.523.3253.0](#) [9151710023](#) [922FS1.5C-A4P-Z774](#) [SC606ABV0S30](#) [SM952A126100LE](#) [A1220EUA-T](#) [F3S-A162-U](#) [CL18](#) [QT-08L](#)  
[34.110.0010.0](#) [TL-C2MF1-M3-E4](#) [IMM32188C](#) [IS2](#) [IS31SE5000-UTLS2-TR](#) [34.110.0021.0](#) [34.110.0022.0](#) [CA150-120VACDC](#)  
[VM18VA3000Q](#) [XS508BSCBL2](#) [XS512BLNAM12](#) [XS512BLNBL2](#) [XS512BLPAL5](#) [XS518B1MBU20](#)