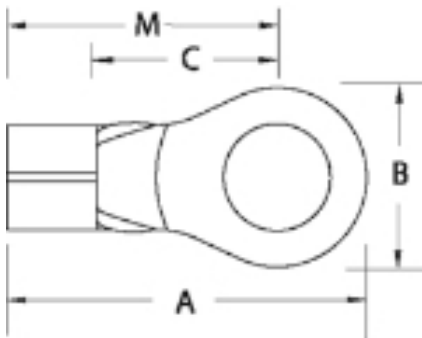




# Sta-Kon®

**T&B Catalog Number:** BC14-14  
**UPC Number:** 78621080131  
**Description:** Non-Insulated Ring Terminal For Wire Range heavy duty 16-14 Stud Size 1/4, Metallic  
**Status:** Active



### WEB\_USE

-T&B Product Line	029
-US Cutsheet PDF Catalog Link	<a href="http://www-public.tnb.com/contractor/docs/stakon.pdf">http://www-public.tnb.com/contractor/docs/stakon.pdf</a>

### Features

-	These non-insulated ring terminals are made of electrolytic copper for high conductivity. They can be installed with crimping tools having a single indenter or double indenter (recommended for solid wire). Serrated barrel increases grip on wire.
---	---

### General

-Insulation Type	Non-Insulated
-Terminal Series	BC
-Material	Copper
-Finish	Electro -Tin Plated
-Color	Metallic
-Wire Range	heavy duty 16-14
-Stud Size	1/4

### Dimension Information

-Stock Thickness	.05
-A (inches)	.93
-B (inches)	.51
-C (inches)	.29
-M (inches)	.68

### Specifications

-Temperature Rating	150°C
-Voltage Rating	600V
-Flammability Rating	UL 94 V-0

### Tooling

-Tool Charts	Available on Website
-Application Tools	WT110M, WT111M, WT112M, WT2000, ERG4002
-Recommended Tool	ERG4002, ERG4005

### Packaging

-T&B Order Multiple	50
-T&B Inner Pack	50
-Package in Units	250
-Package Type	Standard
-T&B Sold in UOM	Each
-T&B Weight Per UOM	0.65 lbs. per 100
-Alternate Package Qty	BC71

### Application Support

-Overview	Available on Website
-Wire Guide Tables	Available on Website

### Certifications

-RoHS Compliance Yes

### Certifications



File Nbr:

E9809

**For further technical assistance, please contact us...**

Thomas & Betts - USA  
8155 T&B Blvd.  
Memphis, TN 38125  
www.tnb.com

T&B Technical Support  
MS 3B-50  
8155 T&B Blvd.  
Memphis, TN 38125

Hours: 7AM - 6PM CDT  
Monday-Friday  
Phone: (888) 862-3289  
Fax: (901) 252-1321  
Email:techsupport@tnb.com

## X-ON Electronics

Largest Supplier of Electrical and Electronic Components

*Click to view similar products for [abb manufacturer](#):*

Other Similar products are found below :

[TV10-516R](#) [017667013](#) [RF727](#) [2CMA100178R1000](#) [5SDD](#) [92Z0401](#) [ESV14-BS](#) [EZS-21-250](#) [F204AC-40/0.03](#) [F362-25/0.03](#)

[GJL1211001R0011](#) [GJL1211201R8000](#) [GJL1211501R8000](#) [GJL1213001R0017](#) [GJL1213001R0101](#) [GJL1311001R0101](#) [GJL1311001R8010](#)

[GJL1311201R0001](#) [GJL1313001R0011](#) [GJL1313001R0101](#) [GJL1317201R0001](#) [AF09-30-01-11](#) [AF460-30-11-68](#) [1455](#) [B14-250](#) [EF45-30](#)

[ERG297](#) [HSC2-20](#) [1SAM201904R1001](#) [1SAM350000R1003](#) [1SAZ721201R1009](#) [1SAZ721201R1014](#) [1SAZ721201R1025](#)

[1SFA611101R1002](#) [1SFA611130R1103](#) [1SFA611131R1101](#) [1SFA611143R1101](#) [1SFA611202R1108](#) [1SFA611203R1108](#)

[1SFA611215R1001](#) [1SFA611216R1108](#) [1SFA611285R1002](#) [1SFA611702R6006](#) [1SFA616162R1025](#) [1SFA619100R3015](#)

[1SVR730020R0200](#) [IPC4111](#) [OS30FACC12](#) [OS60GJ03](#) [OVR1N160277PS](#) [OXC1L48](#)