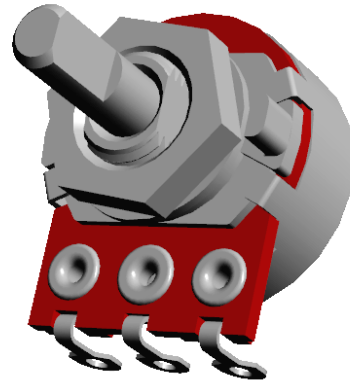


## PR-16 series

### Characteristic

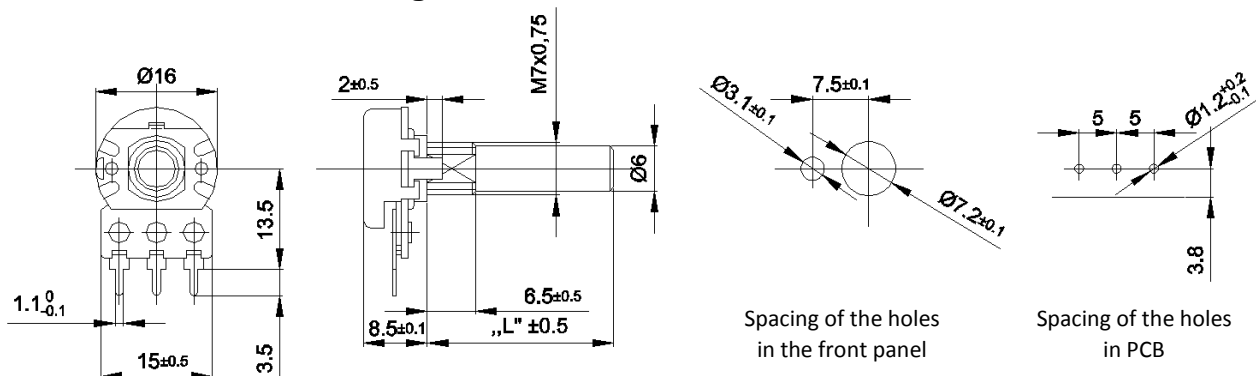
PR-16 series single turn potentiometers are enclosed in a metal housing, with carbon resistive element. Potentiometers have a linear characteristic of regulation, and are made in one of four versions, which differ in the type of terminals, for PCB and wire soldering. PR-16 series potentiometers may be equipped in a single, or multiple mechanical stop (1 or 41 positions). Potentiometers with 5% and 10% resistance tolerance are available on request.



Parameter	Value	
Nominal resistance	E3 series	
Range of available resistances	470Ω ... 2,2MΩ	
Resistance tolerance	R ≤ 220 kΩ	±20%
	R > 220 kΩ	±30%
Max. dissipation power (T = 40°C)	0,1 W	
Max. operating voltage	160 V	
Breakdown voltage	250 V	
Mechanical rotation angle	300° ±10°	
Climatic category	25/070/10	

### Dimensions

#### PRP ... // version with straight terminals for PCB



#### TELPOD S.A.

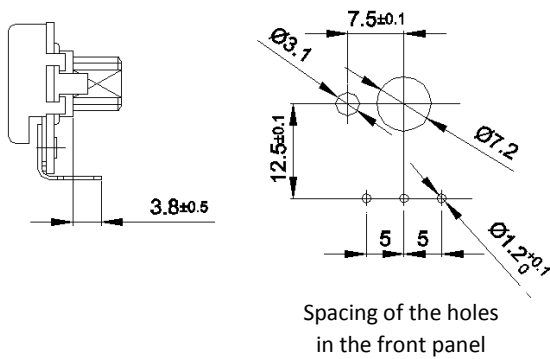
str. Pilsudskiego 63A  
32-050 Skawina  
[www.telpod.pl](http://www.telpod.pl)

Technical division: +48 (0)12 257 10 12  
Sales division: +48 (0)12 257 10 35  
fax: +48 (0)12 257 10 13  
e-mail: [potentiometer@telpod.pl](mailto:potentiometer@telpod.pl)

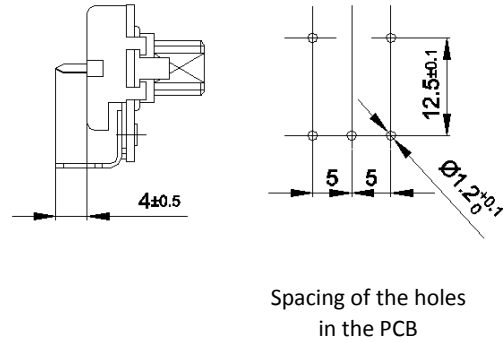
date: 04 / 2015  
Copyright 2015 by Telpod

### PR-16 series

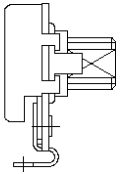
PRPC ... // version with terminals for PCB bent toward the shaft



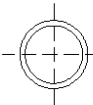
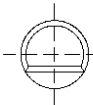
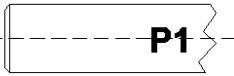
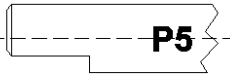
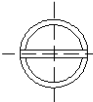
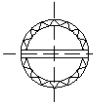
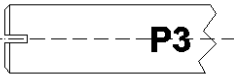
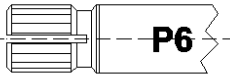
PRP...P // version with terminals for PCB bent toward the body



PR ... // version with ring terminals for wire soldering



### Shaft types

Type	Length L [mm]		
P1	16; 20; 25; 32		
P3	7; 12,5		
P5	16; 20; 25; 32		
P6	16; 20; 25; 32		

### TELPOD S.A.

str. Pilsudskiego 63A  
32-050 Skawina  
[www.telpod.pl](http://www.telpod.pl)

Technical division: +48 (0)12 257 10 12  
Sales division: +48 (0)12 257 10 35  
fax: +48 (0)12 257 10 13  
e-mail: [potentiometer@telpod.pl](mailto:potentiometer@telpod.pl)

date: 04 / 2015  
Copyright 2015 by Telpod

## X-ON Electronics

Largest Supplier of Electrical and Electronic Components

*Click to view similar products for [Trimmer Resistors - Through Hole](#) category:*

*Click to view products by [Telpod](#) manufacturer:*

Other Similar products are found below :

[56PR250K](#) [M63M102KB30T607](#) [M63M103KB40](#) [M63M501KB40](#) [M63P102KB30T607](#) [M63P105KB30T607](#) [M63P202KB40](#)  
[M63P203KB30T607](#) [M63P203KB40](#) [M63P205KB30T607](#) [M63P501KB40](#) [M63P502KB40](#) [M63S102KB40](#) [M63S103KB40](#) [M63X101KB40](#)  
[M63X103KB40](#) [M63X104KB40](#) [M63X501KB40](#) [M63X503KB40](#) [M70Y102KB25](#) [76PR500K](#) [79PR5K](#) [P8PY103KB25](#) [CT6P-103](#)  
[M63M102KB40](#) [M63M104KB40](#) [M63M502KB40](#) [M63P102KB40](#) [M63P103KB30T640](#) [M63P103KB40](#) [M63P104KB30T607](#)  
[M63P104KB40](#) [M63P204KB40](#) [M63P504KB40](#) [M63S203KB40](#) [M63S502KB40](#) [M63X105KB40](#) [M63X502KB40](#) [M70Y203KB25](#)  
[M70Y502KB25](#) [404806505008](#) [388N-100](#) [409HA102M](#) [4270W105K](#) [56PR2MEG](#) [82PR2KLFTB](#) [416MA504P](#) [SK 104 25,4 STC TO 220](#)  
[9702-2SL-1](#) [M64X500KB40](#)