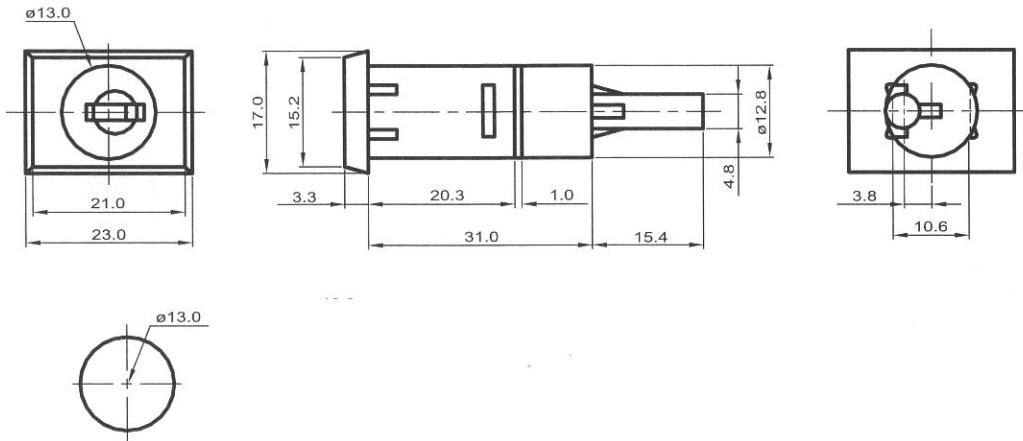


# 700 Disc Tumbler Systems

744LF |

## 744LF Series

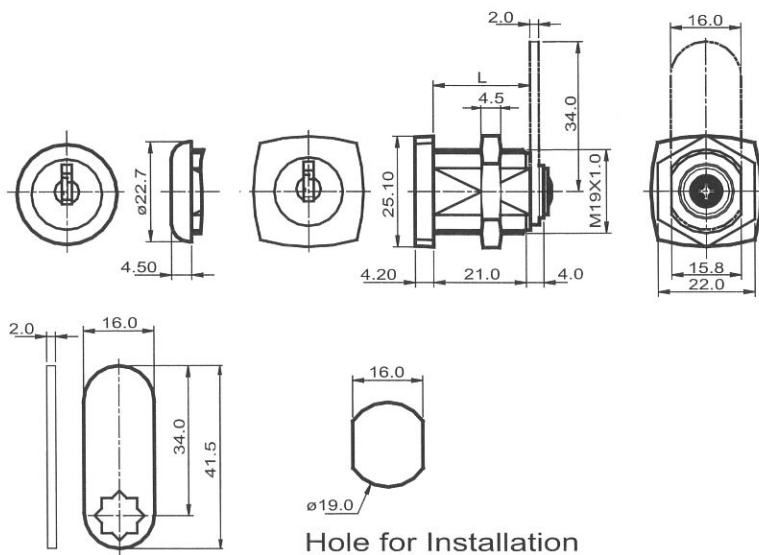


FIXING HOLE SIZE

Stock No	Housing Dimension	Lock Face	Terminal
744LF-30	dia12.85 x 31mm	Square	Locking Bar

742LF |

## 742LF Series

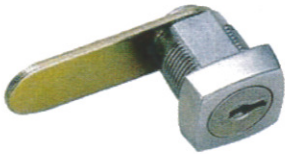


Hole for Installation

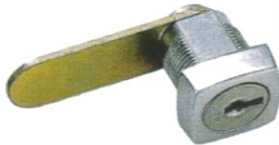
Stock No	Housing Length
742LF-RSB/C-DB11	11.0mm
742LF-RSB/C-DB16	16.0mm
742LF-RSB/C-DB20	20.0mm
742LF-RSB/C-DB22	22.0mm
742LF-RSB/C-DB27	27.0mm
742LF-RSB/C-DB32	32.0mm
742LF-SSB/C-DB11	11.0mm
742LF-SSB/C-DB16	16.0mm
742LF-SSB/C-DB20	20.0mm
742LF-SSB/C-DB22	22.0mm
742LF-SSB/C-DB27	27.0mm
742LF-SSB/C-DB32	32.0mm
742LF-RSB/C-MB11	11.0mm
742LF-RSB/C-MB16	16.0mm
742LF-RSB/C-MB20	20.0mm
742LF-RSB/C-MB22	22.0mm
742LF-RSB/C-MB27	27.0mm
742LF-RSB/C-MB32	32.0mm

700 Disc tumbler Systems

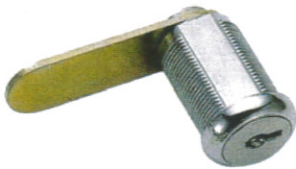
**742LF Series**



742LF-SSB-16



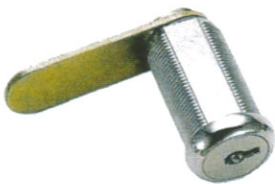
742-LF-SSB-DB20



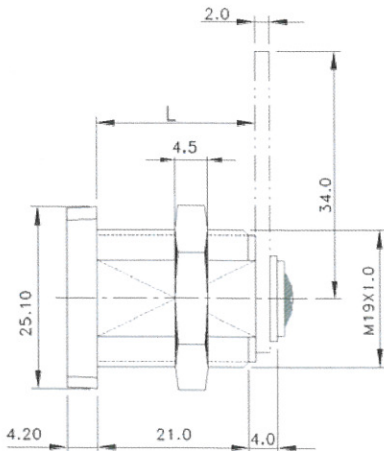
742LF-RSC-DB22



742LF-RSC-DB27



742LF-RSC-DB32



**5 Disc Tumbler Cam Locks Feature:**

- Cam locks are made out of alloy metal with Chrome Plated.  
Yellow Zinc, Zinc plated or Black Paint are also available.
- With Round or Square face, featuring a 5 brass disc tumbler cylinder mechanism in 200 key combinations.
- Housing diameter 3/4" threaded M19 x 1.0 (3/4" x 27" ) with 2 flat with mounting nut.
- For drawer 90 degree or 180 degree, RH or LH wood or metal doors
- With lipped/overlay construction (straight cam) or flush construction (formed cam).
- With 8mm x 8mm cam hole, cam affixed by end screw.
- Filler washer for metal or spur washer for wood.
- Key removable in locked position only.
- With 2 nickel plated brass keys . Reversible key is available.
- KA(key alike) , KD(key different) are available.

**742LF - RSB ( #92 ) Series**

Disc Tumbler Cam Lock, Round Head

- With stainless steel capped cylinder head.

**742LF - SSB ( #92) Series**

Disc Tumbler Cam Lock, Square Head

- With stainless steel capped cylinder head.

**742LF - RSC ( #92) Series**

Disc Tumbler Cam Lock, Round Head

- With shiny chrome plated round head, without Stainless steel cylinder cap.

Stock no.	Housing L	Housing Diameter	Lock Face
742LF-RSB/C-DB11	11mm	19mm (3/4") M19 x 1.0/2 flat	Round Head
742LF-RSB/C-DB16	16mm	19mm (3/4") M19 x 1.0/2 flat	Round Head
742LF-RSB/C-DB20	20mm	19mm (3/4") M19 x 1.0/2 flat	Round Head
742LF-RSB/C-DB22	22mm	19mm (3/4") M19 x 1.0/2 flat	Round Head
742LF-RSB/C-DB27	27mm	19mm (3/4") M19 x 1.0/2 flat	Round Head
742LF-RSB/C-DB32	32mm	19mm (3/4") M19 x 1.0/2 flat	Round Head
742LF-SSB/C-DB11	11mm	19mm (3/4") M19 x 1.0/2 flat	Square Head
742LF-SSB/C-DB16	16mm	19mm (3/4") M19 x 1.0/2 flat	Square Head
742LF-SSB/C-DB20	20mm	19mm (3/4") M19 x 1.0/2 flat	Square Head
742LF-SSB/C-DB22	22mm	19mm (3/4") M19 x 1.0/2 flat	Square Head
742LF-SSB/C-DB27	27mm	19mm (3/4") M19 x 1.0/2 flat	Square Head
742LF-SSB/C-DB32	32mm	19mm (3/4") M19 x 1.0/2 flat	Square Head

## **X-ON Electronics**

Largest Supplier of Electrical and Electronic Components

*Click to view similar products for [Baton Lock](#) manufacturer:*

Other Similar products are found below :

[Baton Lock](#)