

Basic  
Part Number

**MS3420**

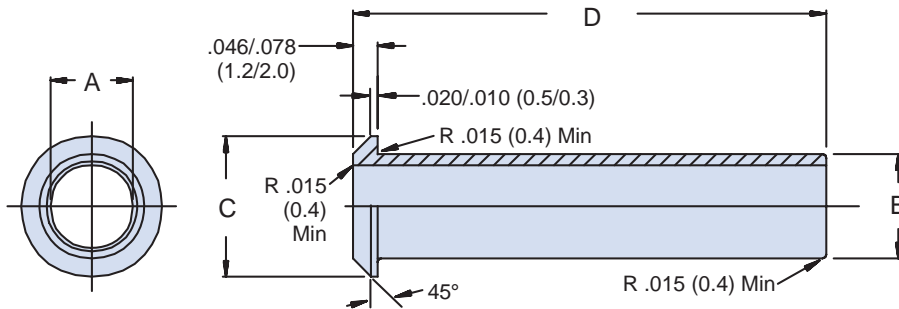
Dash  
Number

**- 3 C**

**M85049/139 - 3C**

**Material**

*C = Silicone*  
*K = Fluorosilicone*  
(Omit for Neoprene)



Basic  
Part Number

**MS3420**

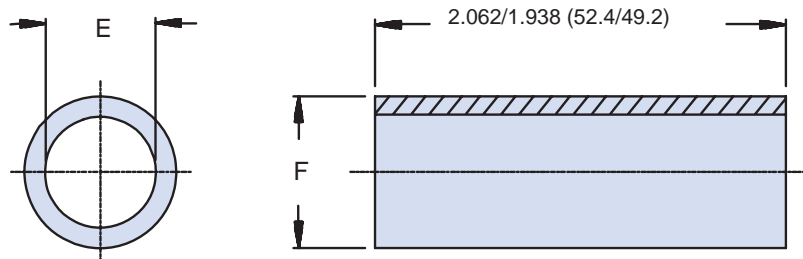
Dash  
Number

**- 3 L**

**M85049/139 - 3L**

**Material**

*A = Neoprene*  
*D = Silicone*  
*L = Fluorosilicone*



Dimensions in inches (millimeters) and are subject to change without notice.

# MS3420 and AS85049/139 Telescoping Bushing



AS85049

B

**TABLE I: Reference for Connector Shell Size**

Dash No.	Ø A Dia	Ø B Dia	Ø C Dia	D Dim Dia	E Dia	F Dia
<b>3</b>	.150/.110 (3.8/2.8)	.230/.190 (5.8/4.8)	.395/.363 (10.0/9.2)	2.906/2.844 (73.8/72.2)	.150/.110 (3.8/2.8)	.230/.190 (5.8/4.8)
<b>4</b>	.240/.200 (6.1/5.1)	.322/.282 (8.2/7.2)	.521/.489 (13.2/12.4)	2.781/2.719 (70.6/69.1)	.240/.200 (6.1/5.1)	.322/.282 (8.2/7.2)
<b>6</b>	.332/.292 (8.4/7.4)	.447/.407 (11.4/10.3)	.635/.603 (16.1/15.3)	2.656/2.594 (67.5/65.9)	.332/.292 (8.4/7.4)	.447/.407 (11.4/10.3)
<b>8</b>	.464/.410 (11.8/10.4)	.579/.525 (14.7/13.3)	.760/.728 (19.3/18.5)	2.531/2.469 (64.3/62.7)	.464/.410 (11.8/10.4)	.579/.525 (14.7/13.3)
<b>10</b>	.589/.535 (15.0/13.6)	.652/.535 (16.6/13.6)	.905/.873 (23.0/59.5)	2.406/2.344 (61.1/10.4)	.464/.410 (11.8/10.4)	.642/.588 (16.3/14.9)
<b>12</b>	.652/.598 (16.6/15.2)	.767/.713 (19.5/18.1)	1.100/1.068 (27.9/27.1)	2.281/2.219 (57.9/56.4)	.568/.514 (14.4/13.1)	.767/.713 (19.5/18.1)
<b>16</b>	.777/.723 (19.7/18.4)	.954/.900 (24.2/22.9)	1.330/1.298 (33.8/33.0)	2.156/2.094 (54.8/53.2)	.777/.723 (19.7/18.4)	.954/.900 (24.2/22.9)
<b>18</b>	--	--	--	--	.976/.898 (24.8/22.8)	1.142/1.088 (29.0/27.6)
<b>20</b>	.976/.898 (24.8/22.8)	1.279/1.201 (32.5/30.5)	1.614/1.582 (41.0/40.2)	2.031/1.969 (51.6/50.0)	.976/.898 (24.8/22.8)	1.279/1.201 (32.5/30.5)
<b>24</b>	1.289/1.211 (32.7/30.8)	1.404/1.326 (35.7/33.7)	1.863/1.831 (47.3/46.5)	1.906/1.844 (48.4/46.8)	1.164/1.086 (29.6/27.6)	1.404/1.326 (35.7/33.7)
<b>28</b>	1.414/1.336 (35.9/33.9)	1.653/1.575 (42.0/40.0)	2.101/2.069 (53.4/52.6)	1.781/1.719 (45.2/43.7)	1.289/1.719 (45.2/43.7)	1.653/1.575 (42.0/40.0)
<b>32</b>	1.675/1.573 (42.5/40.0)	1.915/1.813 (48.6/46.1)	2.351/2.319 (59.7/58.9)	1.656/1.594 (42.1/40.0)	1.676/1.574 (42.6/40.0)	1.916/1.814 (48.7/46.1)
<b>40</b>	1.925/1.823 (48.9/46.3)	2.415/2.313 (61.3/58.8)	2.851/2.819 (72.4/71.6)	1.531/1.469 (38.9/37.3)	1.926/1.824 (48.9/46.3)	2.416/2.314 (61.4/58.8)

### APPLICATION NOTES

1. Assembly identified with manufacturer's name and part number, space permitting.
2. For complete dimensions, see the applicable Military Specification.
3. Metric dimensions (mm) are in parentheses.

Dimensions in inches (millimeters) and are subject to change without notice.

## X-ON Electronics

Largest Supplier of Electrical and Electronic Components

*Click to view similar products for* [Circular MIL Spec Tools, Hardware & Accessories](#) *category:*

*Click to view products by* [Glenair](#) *manufacturer:*

Other Similar products are found below :

[809-199-3](#) [001104](#) [300 04](#) [600-006-16](#) [600-079-06](#) [M10-101982-143](#) [M10-101982-163](#) [M10-101983-183](#) [M10-150912-083](#) [M10-454396-008](#) [602GB18808](#) [M225201-06](#) [M24758-20E21](#) [M2887610-BC](#) [M2887615-CD](#) [M38999/9-19B](#) [62GB-812-10](#) [630A007NF083A](#) [630B007M051A](#) [630BJ003NF032H](#) [637-149NF04B](#) [M39029/29-215](#) [650FS002NF16](#) [M81969-14-02](#) [660-008NF14S7-01](#) [660-009M22H8-03](#) [660-013NF19U6-210](#) [660-015M10S6-17](#) [660-015NF10S5-01](#) [660-015NF14R3.5-01](#) [660-023NF19H6-19](#) [660-024N09S5-104](#) [660-024NF11S12-01](#) [660-024NF11S3-01](#) [660-050XM17F4-01](#) [660-068NF25R6-30G](#) [660-070M23S8-04](#) [660-073MTCH9-20](#) [M83723/60-116RC](#) [M83723/61-18W](#) [M83723/61-218R](#) [M83723/61-224W](#) [667-224NF16](#) [M85049/118S22A](#) [M85049/126S11N](#) [M85049130-07M](#) [M85049140-09BC](#) [M85049/41-16A W/B](#) [687-697NF-1](#) [M85049/75-14-1](#) [M8504980-8](#)