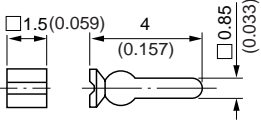
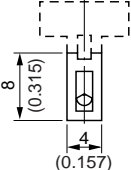
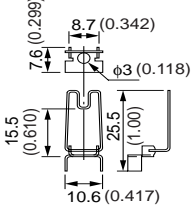


ACCESSORIES (POLARIZING KEY, LOCK SPRING)

■ DIMENSIONS

<p>Part number : FCN-700A1</p>  <p>Note : Can be ordered in units of 10.</p> <p>Unit: mm (in.)</p>	<p>Part number : FCN-700A2</p>  <p>Note : Dotted lines indicate the section to be snapped off when used.</p> <p>Unit: mm (in.)</p>	<p>Part number : FCN-700A3 (lock spring)</p>  <p>Unit: mm (in.)</p>
---	---	--

■ SPECIFICATION OF POLARITY TO PREVENT INCORRECT INSERTION

• Specify polarity as follows:

• Header (pin type, clip type)

FCN-705P050-AU/M # □ □ △

Basic part number

Common

Pin number with pin polarity

Example

00: No polarity

When the A2 key is not used, only the basic part number is specified without a suffix.

04: Pin 4 is cut or pulled out.

Position of clip type polarity (see the figure on the right)

Note: The standard specification is #04 or the end pin number (if the end pin is 50, the specification is 50).

• Socket (pin type)

FCN-707J050-AU/B # □ □

Basic part number

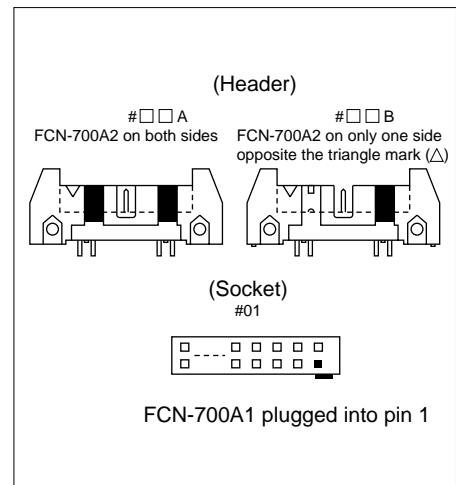
Common

Pin number with pin polarity

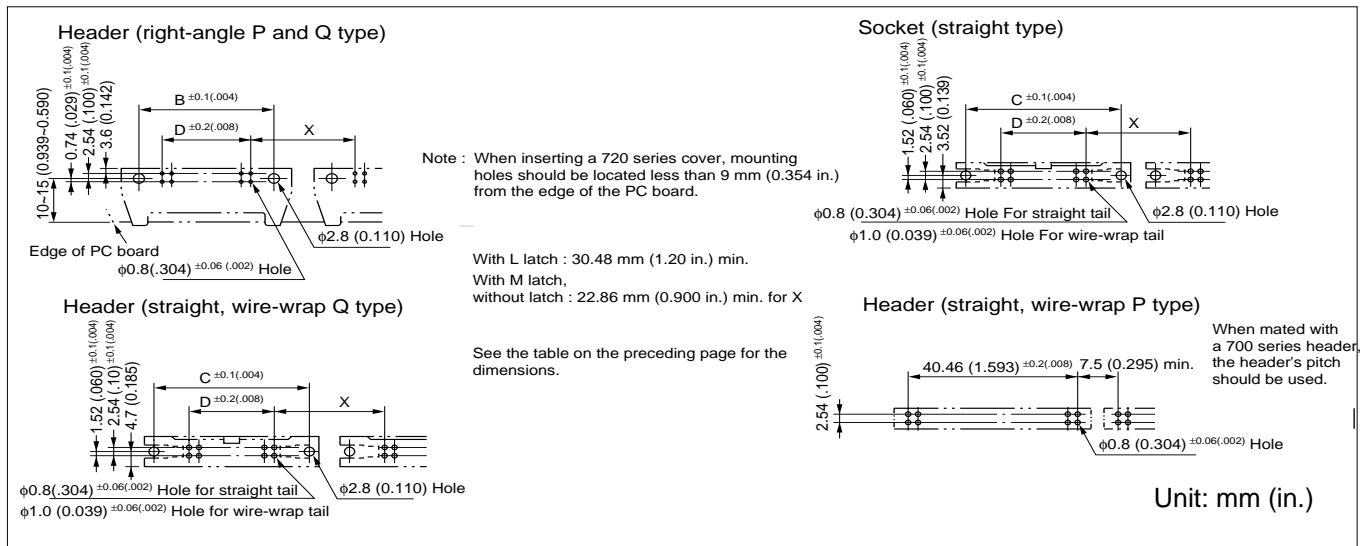
Example

04: FCN-700A1 plugged into pin 4

Note: The specification method is the same for IDC plugs and through hole sockets.



■ MOUNTING HOLE LAYOUT



- Notes:
- See the next page for cable termination.
 - See the next page for IDC tools.
 - The last digit (0) of the part number is zero.
 - Use tapping screws JIS B1122, 2.5x6 to mount a straight connector on PC boards.

X-ON Electronics

Largest Supplier of Electrical and Electronic Components

Click to view similar products for [fujitsu](#) manufacturer:

Other Similar products are found below :

[FCN-744G010-AU/0](#) [FCN-723D010/2](#) [MAT4Z-DR](#) [FCN-268M024-G/1D](#) [FTP-639USL202](#) [PZ-2A2415](#) [PZ-2A2425](#) [PZ-2A2430](#) [PZ-2A2445](#) [PZ-4A2620](#) [PZ-4A2650](#) [PZ-6A2805](#) [PZ-6A2810](#) [PZ-6A2830](#) [PZ-6A2840](#) [GZ-12C](#) [GZ-12W](#) [GZ-18H](#) [GZ-9H](#) [AL-24W-K](#) [DZ4E-12V](#) [ITT2B-EH](#) [ITT2-BR](#) [25A04C24C](#) [25A04C28C](#) [RY-48W-K](#) [RY-5WZ-K](#) [26A06C54E](#) [RZ-24C](#) [RZ-2G5](#) [RZ-48C](#) [RZ-5WC](#) [RZ-6](#) [RZ-6W](#) [FTP-622CT001](#) [24A02C81E](#) [24A12C24C](#) [24A12C61E](#) [25A04C14E](#) [25A14C09C](#) [25A14C20C](#) [26A06C08C](#) [26A06C24C](#) [26A16C11E](#) [26A16C23F](#) [GZ-3](#) [PZ-2A2412](#) [PZ-2L1D](#) [PZ-6A2800](#) [PZ-6A2812](#)