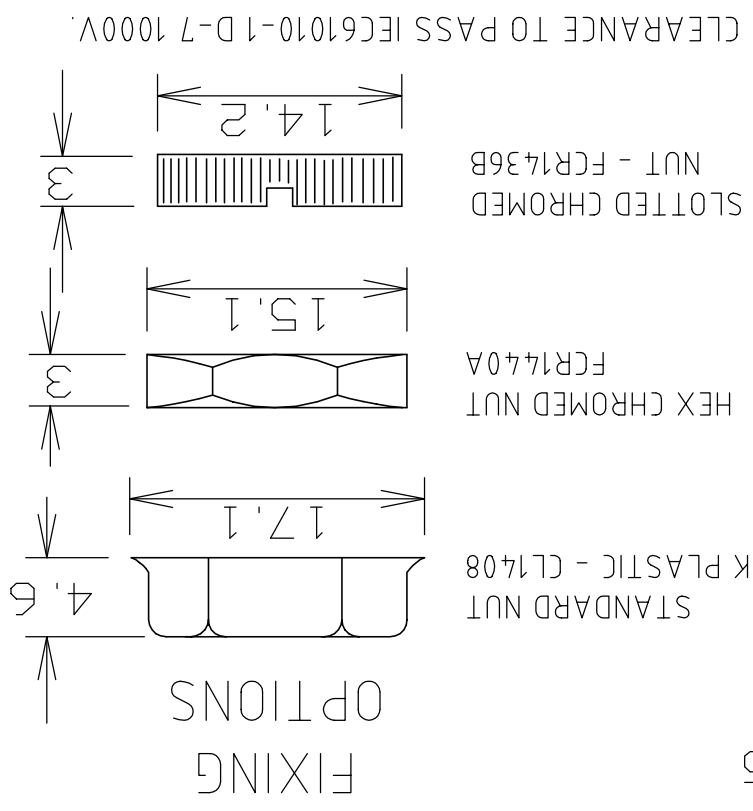
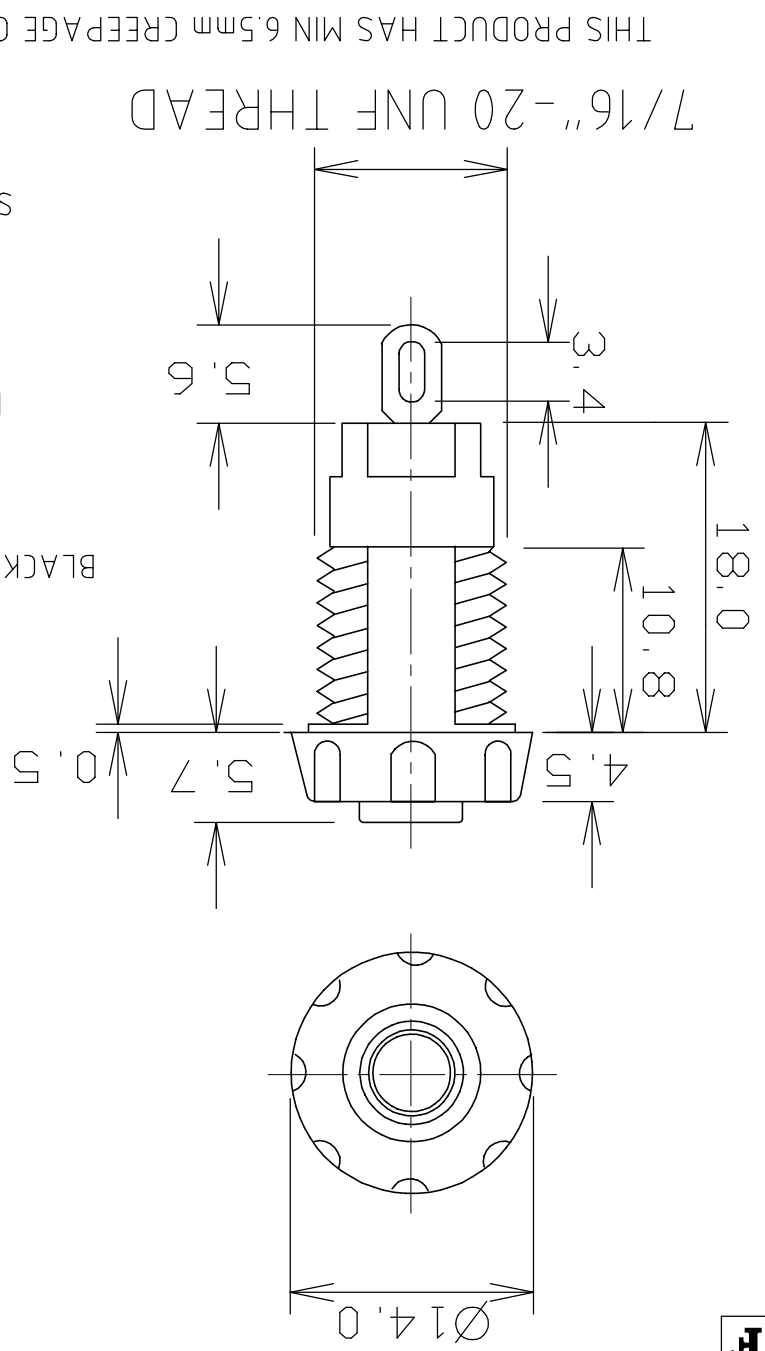
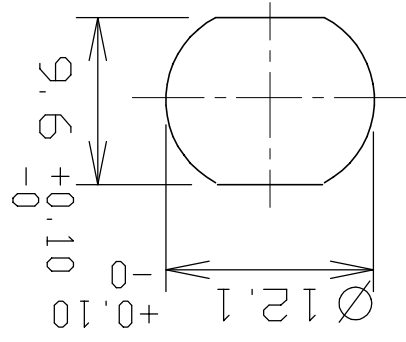


Cliff Electronic Components Ltd.
 76 Holmechore Avenue, Holmechore Industrial Estate,
 Redhill, Surrey, RH1 2PF, England, UK
 Tel: 01737-771375 Fax: 01737-766012 Website: www.cliffuk.co.uk
 © 2005

TO A 3rd PARTY WITHOUT WRITTEN PERMISSION OF CLIFF UK.
 DRAWN: C.A.M.J. APPROVED: R.W.T. DRWG. No. FCR14460
 FINISH: AS MOULDED / GOLD PLATED
 MATERIAL: NYLON / BRASS
 TITLE: TOUCHPROOF 4mm SOCKET S16
 FORM: ADDRWG1



PANEL MOUNTING HOLE DETAILS



VARIANTS	
PART NO.	COLOUR
FCR14460	BLACK
FCR14461	RED
FCR14462	YELLOW
FCR14463	BLUE
FCR144635	BROWN
FCR14464	GREY
FCR14465	GREEN
FCR14467	WHITE

ROHS COMPLIANT

TOLERANCE
 NO DEC. PLACE ± 0.50
 1 DEC. PLACE ± 0.20
 2 DEC. PLACE ±
 HOLE Ø ±
 ANGLES ± 1/2°
 UNLESS OTHERWISE STATED
 DO NOT SCALE

3rd ANGLE PROJECTION:

ISS.	AMENU	DATE
1	WAS CL14460	20/12/05
2	STD NUT WAS FCR1408	17/01/13

X-ON Electronics

Largest Supplier of Electrical and Electronic Components

Click to view similar products for [Test Sockets](#) category:

Click to view products by [Cliff](#) manufacturer:

Other Similar products are found below :

[AXS-5032-04-02](#) [AXS-3225-04-06](#) [AXS-7050-04-12](#) [5662](#) [BP30-10-B](#) [BP30GNN-1 PKG](#) [BP30-10Y-1 PKG](#) [AXS-7050-04-01](#) [AXS-5032-04-06](#) [AXS-2520-04-01](#) [AXS-5032-04-04](#) [930308101](#) [931714101](#) [15.0084-21](#) [563-0500](#) [20.1020-21](#) [20-313137](#) [20-313139](#) [20-313144](#) [20-313140](#) [20-313143](#) [22.1042](#) [+ 22.2370-22](#) [23.1010-23, 24, 25, 26, 27](#) [23.3060-23](#) [24.0160-1+25.0035](#) [24.0160-4+25.0035](#) [24.116-22](#) [5281](#) [5279](#) [450-3704-01-06-00](#) [AXS-3225-04-04](#) [AXS-3225-04-10](#) [AXS-7550-06-03](#) [AXS-7550-06-05](#) [269RB](#) [2713BB](#) [BP30BN-1 PKG](#) [BP30RN-1 PKG](#) [571-0200](#) [450-3422-01-06-00](#) [450-3888-01-04-00](#) [BP30GP10](#) [571-0400](#) [571-0600](#) [66.9131-23](#) [66.9427-22](#) [BP21-2BRN-B](#) [PKG](#) [930058104](#) [930103102](#) [930103188](#)