

Compact Heavy Duty Limit Switches FM/FR/FZ/FX



Compact limit switches with snap-action contacts and positive break according to BS/EN60947-5-1

- Bifurcated contacts for low resistance and high reliability – suitable for switching low-level electronic currents
- Double-break contacts with electrically separate NO and NC circuits in conformity with VDE 0660 part 206
- 10A 500VAC/600VDC rated
- Turret head position rotatable in 90° increments
- Centre-position indicator arrow – lever actuators
- Wide range of actuators
- Single and dual cable entry models
- Removable contact block for ease of wiring
- Metal or plastic housing options
- IP65 according to BS EN 60947-1
- FM and FR dimensions in accordance with EN50047 with dual fixing centres: 20 and 22mm
- UL and CUL approved



Options and ordering codes

	FM	5	01	7
Compact metal housing	FM			-
Compact plastic housing	FR			7
Dual-entry metal housing	FZ			71
Dual-entry plastic housing	FX			
Snap-action contacts, 1NO + 1NC		5	-	
Slow-action, break before make 1NO + 1NC		6		
Slow-action, make before break 1NO + 1NC		7		
Slow-action contacts, 2NC		9		
Slow-action contacts, 2NO		10		
Snap-action contacts, 2NC		11		
Slow-action contacts, break before make 2NC + 1NO		20		
Slow-action contacts, 3NC		21		
Slow-action contacts, break before make 1NC + 2NO		22		
Snap-action contacts, 2NO + 2NC		2		
			-	
			38	
			VFL313	
			VFL353	
			VFL354	

Please note: Positive break applies to the NC contacts of types 5, 6, 7, 9, 11, 20, 21 and 22 only.

Contact ratings

BS/EN 60947-5-1		
AC15 – Control of AC electromagnetic loads > 72VA sealed – replaces AC11	230VAC	6A
	400VAC	4A
	500VAC	1A
DC13 – Control of DC electromagnetic loads where the time taken to reach 95% of the rated current is equal to 6 times the power of the load (where P ≤ 50W) – replaces DC11		
	24VDC	6A
	125VDC	1.1A
	250VDC	0.4A

Terminal connections

Standard contacts: NO: 13–14 NC: 21–22
Terminal screws: M3.5 with rising cable clamps.

Note: The positive break of the type 5 contact block applies to the NC contacts only. Connections to safety circuits should NOT be made using the NO contacts.

To ensure positive breaking of the contacts, exceed the pre-travel by 1.5mm or 25° according to the model. Maximum screw tightening torque 0.8Nm (8KgcM)

Compact Heavy Duty Limit Switches

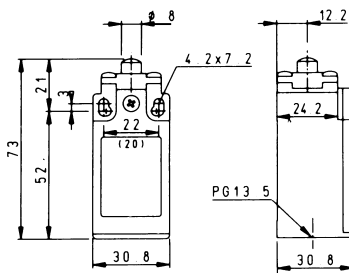
FM/FR/FZ/FX continued



Specification

Rated thermal current I _{th}	10A
Rated working voltage	500VAC/600VDC
Maximum operating frequency	6000/hour
Mechanical life	>20 million operations
Contact form	1NO + 1NC
Initial contact resistance	<25 mOhms
Contact gap	>2.5mm (2 x 1.25mm conforming to VDE 0660 part 206)
Contact material	silver
Dielectric strength	2000VAC, 50/60Hz for 1 minute between open contacts 2000VAC, 50/60Hz for 1 minute between current-carrying parts and ground
Protection rating	IP65
Ambient operating temperature	-25 to +80 deg. C
Ambient humidity	95% R.H.
Maximum wire size	2 x 1.5mm ² flexible, 2 x 2.5mm ² solid
Housing material	FM/FZ: die-cast metal alloy, FR/FX: self-extinguishing, glass-reinforced, thermoplastic resin
Conduit entry	PG 13.5

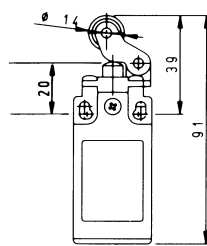
Standard actuator options – FM and FR series



Actuator type 01 Piston plunger

Operating force min.	OF	820g
Pre-travel	PT	2mm
Over-travel	OT	4mm
Movement differential	MD	1mm
Operating point	OP	19mm
Operating speed max.	OS	0.5m/s

radius: pivot to centre of roller = 17.5mm

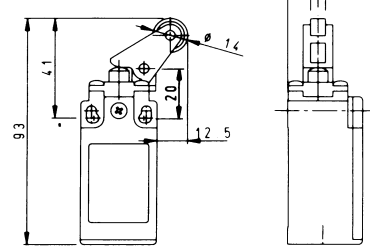


Actuator type 02 One-way roller – top actuated

Operating force min.	OF	615g
Pre-travel	PT	2.9mm
Over-travel	OT	5.6mm
Movement differential	MD	1.6mm
Operating point	OP	36.1mm
Operating speed max.	OS	1m/s using a 30° cam

Note: plastic roller only

radius: pivot to centre of roller = 17mm

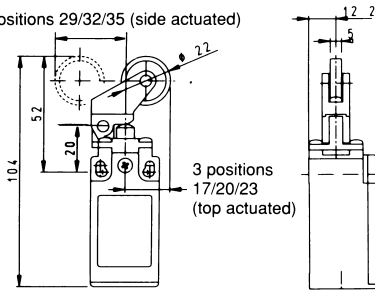


Actuator type 05 One-way roller – side actuated

Operating force min.	OF	615g
Pre-travel	PT	2.9mm
Over-travel	OT	5.6mm
Movement differential	MD	1.6mm
Operating point	OP	–
Operating speed max.	OS	1m/s using a 30° cam

Note: plastic roller only

3 positions 29/32/35 (side actuated)



Actuator type 07 One-way roller adjustable 3 positions top actuated 3 positions side actuated

Operating force min.	OF	410g
Pre-travel	PT	5mm
Over-travel	OT	8mm
Movement differential	MD	2.8mm
Operating point	OP	47mm
Operating speed max.	OS	1m/s using a 30° cam

Note: plastic roller only
radius: pivot to centre of roller = 28mm

Actuator type 08 Sealed piston plunger

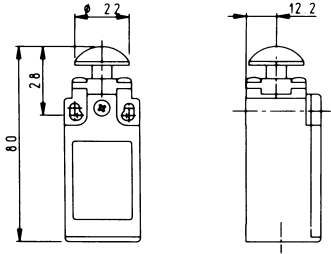
Operating force min.	OF	820g
Pre-travel	PT	2mm
Over-travel	OT	4mm
Movement differential	MD	1mm
Operating point	OP	30mm
Operating speed max.	OS	0.5m/s

Also available: Actuator type 10. Piston plunger with M12 mounting bush on the turret. Characteristics as for type 08 except: OP=34mm.

Compact Heavy Duty Limit Switches FM/FR/FZ/FX continued

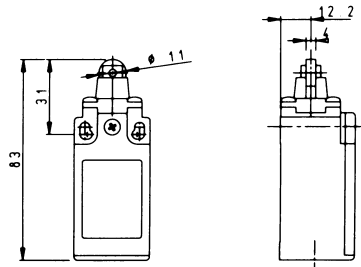


Standard actuator options – FM and FR series continued



Actuator type 14
Mushroom head plunger (red plastic)

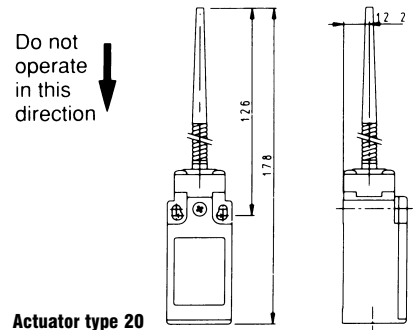
OF	820g
PT	2mm
OT	4mm
MD	1mm
OP	26mm
OS	0.5m/s



Actuator type 15
Roller piston plunger

OF	820g
PT	2mm
OT	4mm
MD	1mm
OP	29mm
OS	0.3m/s using a 30° cam

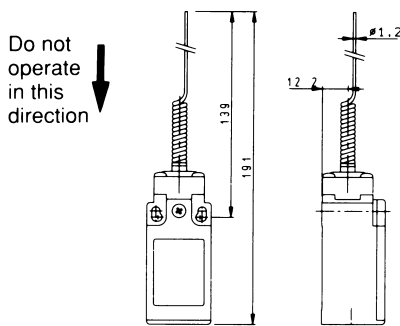
Notes: FM515 \varnothing 12mm metal roller as standard,
FR515 \varnothing 11mm plastic roller as standard.
For FR with \varnothing 12mm metal roller: FR5151



Actuator type 20
Sealed coil spring with flexible rod

OF	100g at $\frac{2}{3}$ the length of the actuator
PT	18°
OT	—
MD	10°
OP	—
OS	1m/s

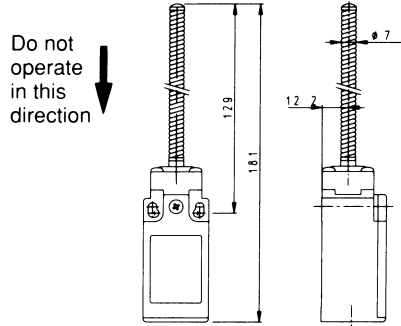
Notes: Not suitable for safety circuits.
Not suitable for use with contact blocks 20, 21 or 22



Actuator type 21
Sealed coil spring with cat's whisker

OF	70g at $\frac{2}{3}$ the length of the actuator.
PT	18°
OT	—
MD	10°
OP	—
OS	1m/s

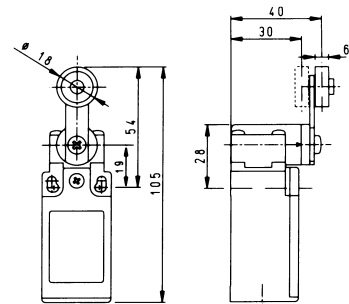
Notes: Not suitable for safety circuits
Not suitable for use with contact blocks 20, 21 or 22



Actuator type 25
Sealed coil spring

OF	185g at $\frac{2}{3}$ the length of the actuator
PT	18°
OT	—
MD	10°
OP	—
OS	1m/s

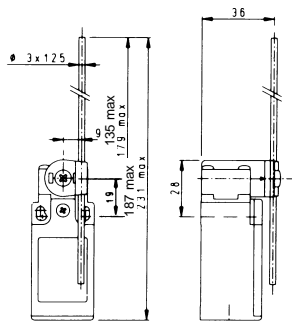
Notes: Not suitable for safety circuits
Not suitable for use with contact blocks 20, 21 or 22



Actuator type 31
Roller-lever

OF	1000gcm
PT	30°
OT	45°
MD	13°
OP	—
OS	1.5m/s using a 30° cam

Notes: 1. \varnothing 18mm plastic roller as standard, \varnothing 20mm metal roller actuator part no.: 311.
2. Lever position adjustable over 360° in 10° increments.

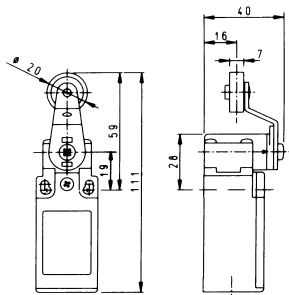


Actuator type 50
Adjustable steel rod

OF	1000gcm
PT	30°
OT	45°
MD	13°
OP	—
OS	1.5m/s

Note: Lever position adjustable over 360° in 10° increments.

Also available: Actuator type 69. Adjustable glass-fibre rod \varnothing 6x200mm. Characteristics as for type 50, but not suitable for safety circuits.



Actuator type 51
Roller-lever with large offset

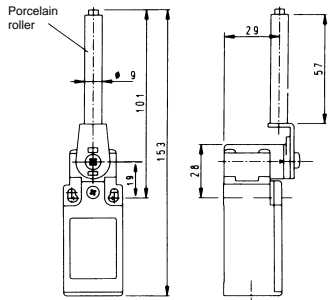
OF	1000gcm
PT	30°
OT	45°
MD	13°
OP	—
OS	1.5m/s using a 30° cam

Notes: 1. Plastic roller as standard, metal roller actuator part no.: 511. 2. Lever position adjustable over 360° in 10° increments.

Compact Heavy Duty Limit Switches FM/FR/FZ/FX continued

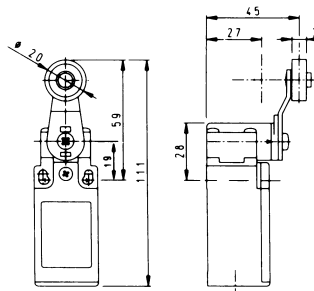


Standard actuator options – FM and FR series continued



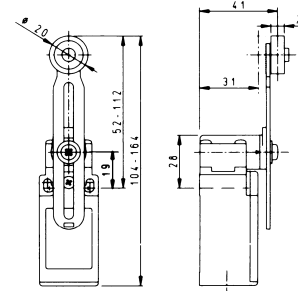
Actuator type 53
Porcelain roller-lever

OF 615gcm
PT 30°
OT 45°
MD 13°
OP –
OS –
Note: Lever position adjustable over 360° in 10° increments.



Actuator type 54
Roller-lever with small offset

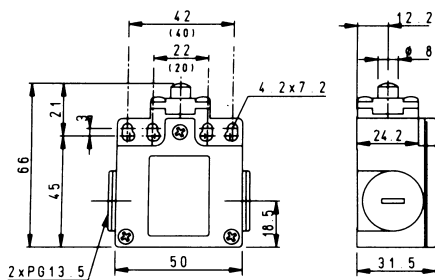
OF 1000gcm
PT 30°
OT 45°
MD 13°
OP –
OS 1.5m/s using a 30° cam
Notes: 1. Plastic roller as standard, metal roller actuator part no.: 541. 2. Lever position adjustable over 360° in 10° increments.



Actuator type 55
Adjustable roller-lever

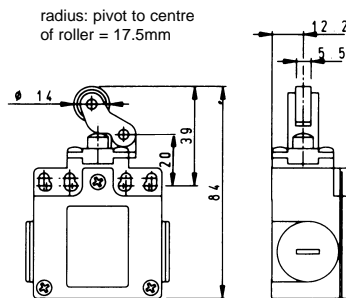
OF 1000gcm
PT 30°
OT 45°
MD 13°
OP –
OS 1.5m/s using a 30° cam
Notes: 1. Plastic roller as standard, metal roller actuator part no.: 551. 2. Lever position adjustable over 360° in 10° increments.

Standard actuator options – FZ and FX series



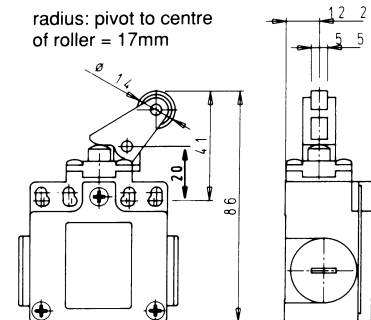
Actuator type 01
Piston plunger

OF 820g
PT 2mm
OT 4mm
MD 1mm
OP 19mm
OS 0.5m/s



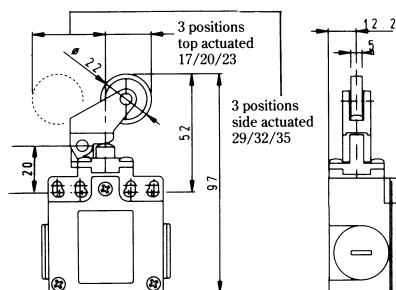
Actuator type 02
One-way roller – top actuated

OF 615g
PT 2.9mm
OT 5.6mm
MD 1.6mm
OP 36.1mm
OS 1m/s using a 30° cam
Note: plastic roller only



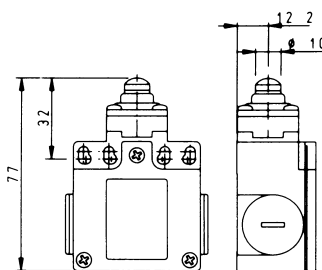
Actuator type 05
One-way roller – side actuated

OF 615g
PT 2.9mm
OT 5.6mm
MD 1.6mm
OP –
OS 1m/s using a 30° cam
Note: plastic roller only



Actuator type 07
One-way roller adjustable
3 positions top actuated
3 positions side actuated

OF 410g
PT 5mm
OT 8mm
MD 2.8mm
OP 47mm
OS 1m/s using a 30° cam
Note: Plastic roller only radius: pivot to centre of roller = 28mm



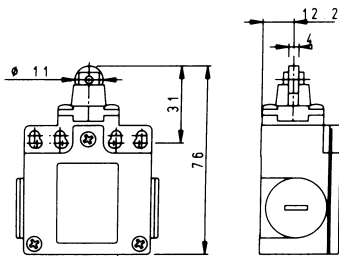
Actuator type 08
Sealed piston plunger

OF 820g
PT 2mm
OT 4mm
MD 1mm
OP 30mm
OS 0.5m/s

Compact Heavy Duty Limit Switches FM/FR/FZ/FX continued

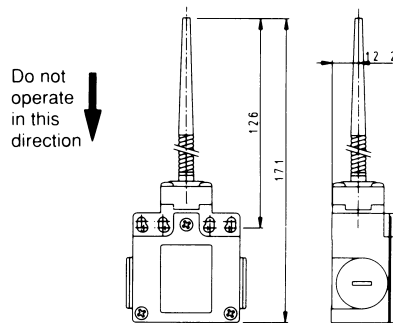


Standard actuator options – FZ and FX series continued



Actuator type 15 Roller piston plunger

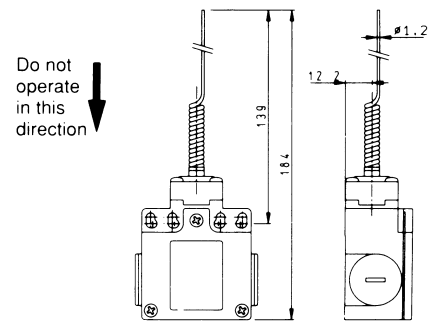
OF 820g
PT 2mm
OT 4mm
MD 1mm
OP 29mm
OS 0.3m/s using a 30° cam
Note: FZ515 ø12mm metal roller as standard.
Note: FX515 ø11mm plastic roller as standard.
Note: For FX with ø12mm metal roller: FX5151



Actuator type 20 Sealed coil spring with flexible rod

OF 100g at 2/3 the length of the actuator
PT 18°
OT –
MD 10°
OP –
OS 1m/s

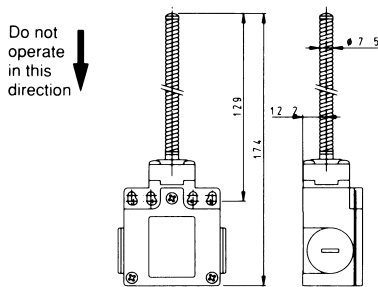
Notes: Not suitable for safety circuits
Not suitable for use with contact blocks 20, 21 or 22



Actuator type 21 Sealed coil spring with cat's whisker

OF 70g at 2/3 the length of the actuator
PT 18°
OT –
MD 10°
OP –
OS 1m/s

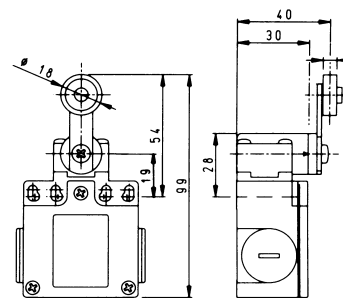
Notes: Not suitable for safety circuits
Not suitable for use with contact blocks 20, 21 or 22



Actuator type 25 Sealed coil spring

OF 185g at 2/3 the length of the actuator
PT 18°
OT –
MD 10°
OP –
OS 1m/s

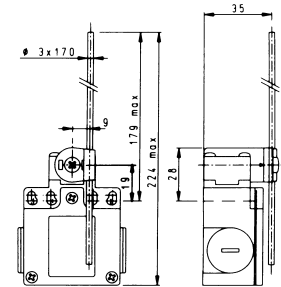
Notes: Not suitable for safety circuits
Not suitable for use with contact blocks 20, 21 or 22



Actuator type 31 Roller-lever

OF 1000gcm
PT 30°
OT 45°
MD 13°
OP –
OS 1.5m/s using a 30° cam

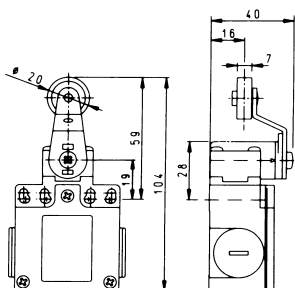
Notes: 1. ø18mm plastic roller as standard, ø20mm metal roller actuator part no.: 311
2. Lever position adjustable over 360° in 10° increments.



Actuator type 50 Adjustable steel rod

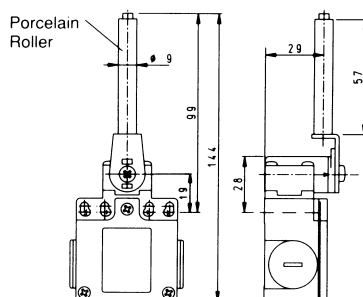
OF 1000gcm
PT 30°
OT 45°
MD 13°
OP –
OS 1.5m/s

Note: Lever position adjustable over 360° in 10° increments.



Actuator type 51 Roller-lever with large offset

OF 1000gcm
PT 30°
OT 45°
MD 13°
OP –
OS 1.5m/s using a 30° cam
Notes: 1. Plastic roller as standard, metal roller actuator part no.: 511. 2. Lever position adjustable over 360° in 10° increments.



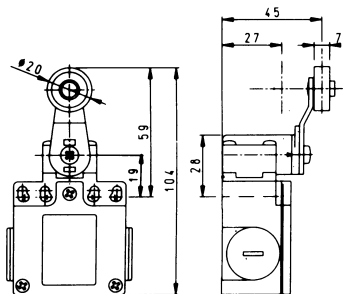
Actuator type 53 Porcelain roller-lever

OF 615gcm
PT 30°
OT 45°
MD 13°
OP –
OS –
Note: Lever position adjustable over 360° in 10° increments.

Compact Heavy Duty Limit Switches FM/FR/FZ/FX continued



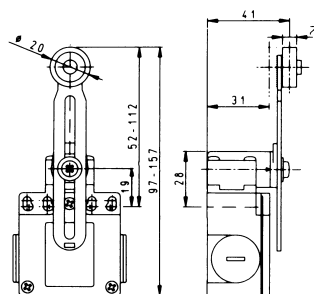
Standard actuator options – FZ and FX series continued



Actuator type 54 Roller-lever with small offset

OF 1000gcm
PT 30°
OT 45°
MD 13°
OP –
OS 1.5m/s using a 30° cam

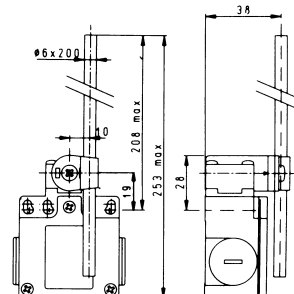
Notes: 1. Plastic roller as standard, metal roller actuator part no.: 541. 2. Lever position adjustable over 360° in 10° increments.



Actuator type 55 Adjustable roller-lever

OF 1000gcm
PT 30°
OT 45°
MD 13°
OP –
OS 1.5m/s using a 30° cam

Notes: 1. Plastic roller as standard, metal roller actuator part no.: 551. 2. Lever position adjustable over 360° in 10° increments.



Actuator type 69 Adjustable glass-fibre rod

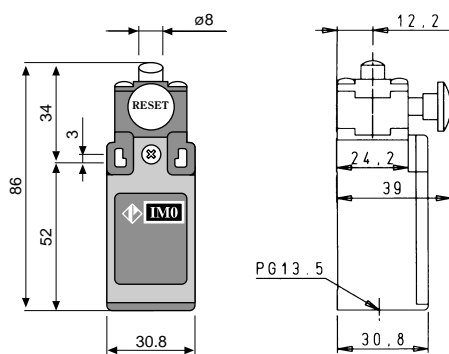
OF 1000gcm
PT 30°
OT 45°
MD 13°
OP –
OS 1.5m/s

Notes: 1. Not suitable for safety circuits 2. Lever position adjustable over 360° in 10° increments.

Standard switches with reset buttons

Examples – many other types available – for reset button, add suffix – 7 to standard part numbers

Operation – once contacts have changed-over and latched, the reset button must be operated for the contacts to change back

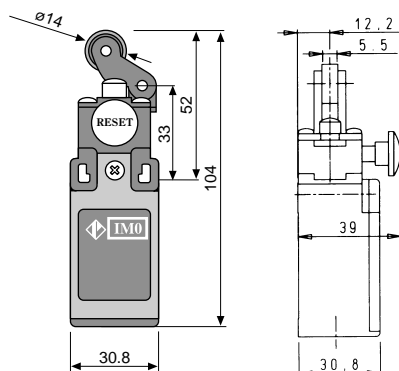


FR 501-7

Piston plunger

Pre-travel 2mm
Additional travel beyond the operating point until the mechanism latches 2mm

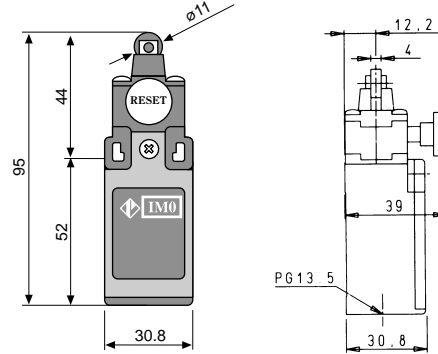
radius: pivot to centre of roller = 17.5mm



FR 502-7

One-way roller – top actuated

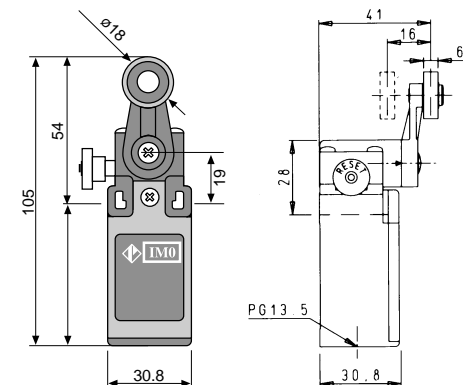
Pre-travel 2.9mm
Additional travel beyond the operating point until the mechanism latches 2.3mm



FR 515-7

Roller piston plunger

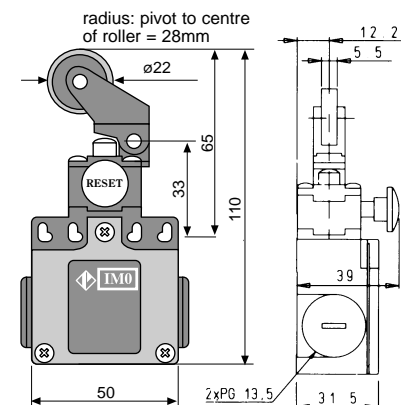
Pre-travel 2mm
Additional travel beyond the operating point until the mechanism latches 2mm



FR 530-7

Roller-lever

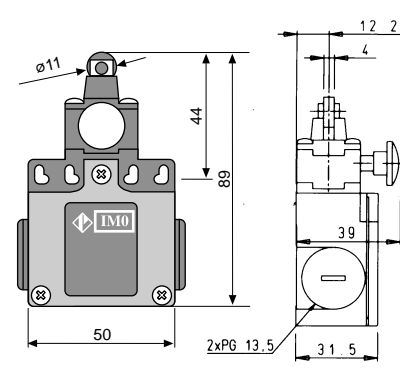
Pre-travel 30°
Additional travel beyond the operating point until the mechanism latches 25°



FX 507-7

One-way roller – adjustable

3 positions top actuated
3 positions side actuated
Pre-travel 5mm
Additional travel beyond the operating point until the mechanism latches 3.4mm



FX 515-7

Roller piston plunger

Pre-travel 2mm
Additional travel beyond the operating point until the mechanism latches 2mm

Compact Heavy Duty Limit Switches FM/FR/FZ/FX continued



Glossary

The following is a glossary of terms in specifying actuator characteristics:

Operating force (OF)

The force applied to the actuator required to operate the switch contacts.

Releasing force (RF)

The value to which the force on the actuator must be reduced to allow the contacts to return to the normal position.

Total force (TF)

The force applied to the actuator required to reach the stopper from the free position.

Free position (FP)

The initial position of the actuator when there is no external force applied.

Operating position (OP)

The position of the actuator at which the contacts snap to the operated contact position measured with respect to the centres of the mounting holes.

Releasing position (RP)

The position of the actuator at which the contacts snap from the operated contact position to their normal position.

Total travel position (TTP)

The position of the actuator when it reaches the limit of travel – must not be exceeded.

Pretravel (PT)

The distance or angle through which the actuator moves from the free position to the operating position.

Overtravel (OT)

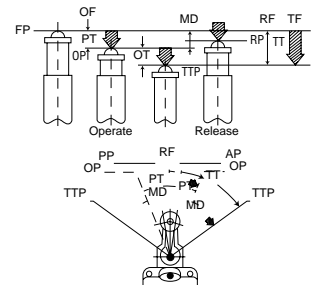
The distance or angle of the actuator movement beyond the operating position.

Movement differential (MD)

The distance or angle from the operating position to the releasing position.

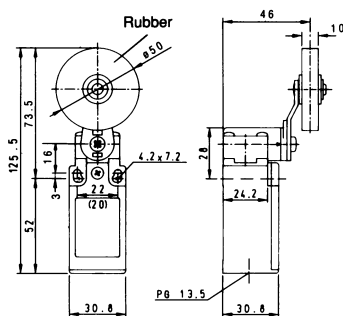
Total travel (TT)

The sum of the pretravel and overtravel expressed by distance or angle.

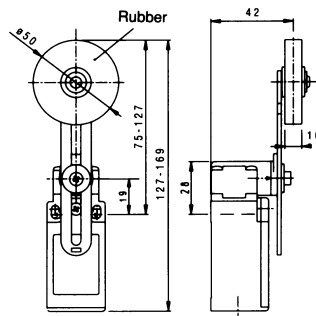


Lift-style switches

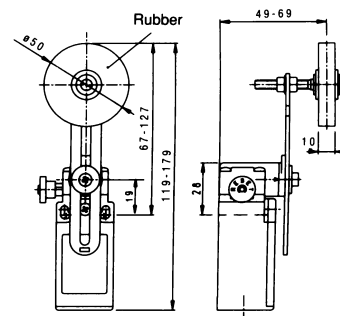
EXAMPLES



FR538 or FR938 + VFLE543
FM538 or FM938 + VFLE543
Turret type 38 (without reset button)
Lever type VFLE543 (fixed position roller)
 Pre-travel = 30°



FR538 or FR938 + VFLE553
FM538 or FM938 + VFLE553
Turret type 38 (without reset button)
Lever type VFLE553 (single adjustment roller)
 Pre-travel = 30°



FR538-71 + VFLE554 **FM538-71 + VFLE554**
Turret type 38-71 (early trip point with reset button)
Lever type VFLE554 (dual adjustment roller)
 Pre-travel = 30°
 Additional travel to latching point -0°/+8°

- Three lever options, all with or without manual reset button.
- FZ and FX models also available with a choice of turret and lever.
- Age-resistant and oil-resistant rubber rollers.
- Lever position adjustable over 360° in 10° increments.
- Head rotatable in 90° increments.
- Glass-reinforced thermoplastic resin models (FR and FX) double insulated for electrical safety.

- Die-cast metal alloy models (FM and FZ) include earth terminal.
- Note: Types with reset button have non-removable contact block due to interlocking with reset mechanism.

FR538-71 formerly FR581

Compact Heavy Duty Limit Switches

FM/FR/FZ/FX continued



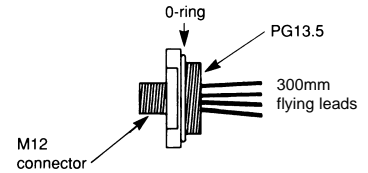
Replacement contact blocks

B5	1NO+1NC 13 21 14 22	Positive break <i>Snap action</i> standard contact block	Zb
B6	1NO+1NC 13 21 14 22	Positive break <i>Slow action</i> break before make	Zb
B7	1NO+1NC 13 21 14 22	Positive break <i>Slow action</i> make before break	Zb
B9	2NC 11 21 12 22	Positive break <i>Slow action</i> , contacts 11-12, 21-22 open at the same time	Zb
	B14	Positive break <i>Slow action</i> , contacts 11-12 open first, further actuator travel causes contacts 21-22 to open	
B10	2NO 13 23 14 24	<i>Slow action</i> , contacts 13-14, 23-24 close at the same time	Zb
	B15	<i>Slow action</i> , contacts 13-14 close first, further actuator travel causes contacts 23-24 to close	
B2	2NO+2NC 13 21 43 31 14 22 44 32	<i>Snap action</i> , double pole	

Plug and socket limit switches

All FR/FM/FZ/FX series limit switches can be converted to a plug-in style by the addition of an adaptor.

Part number
8R4D26E03C3003



The adaptor is screwed into the limit switch and the four flying leads connected to the four terminals of the contact block.

Suitable 4-wire plug leads are available.

Ratings 250VAC/300VDC

3A

IP67

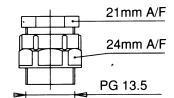
Cable glands

Cable glands are available to enable standard multi-core cables to be connected without the use of conduit.

Two sizes are possible:

Part number **VFPG13.5** Cable size \varnothing 9-12mm

Part number **VFPG13.5/6** Cable size \varnothing 6-9mm



X-ON Electronics

Largest Supplier of Electrical and Electronic Components

Click to view similar products for imo manufacturer:

Other Similar products are found below :

[20.155MV/12-E](#) [MC14N-S-10110AC](#) [MB09-S-10=24](#) [DPS-1-030-24](#) [SRF-1C-SL-12VDC](#) [MB09-S-1024](#) [LDC18RRS](#) [SFSYE0111](#)
[21.1500M/6-E](#) [20.3304M/2-E](#) [21.910M/5-E](#) [20.95MA/2-E](#) [21.95MHF/2-E](#) [PE69-4032](#) [DPS-1-060-24](#) [CS20A-A2](#) [CS20A-U1](#) [VFC02](#)
[MSSTC11DA06](#) [20.95MHF/3-E](#) [B3T10](#) [XKL-040-21](#) [20.3304M/4-E](#) [SRDH-1A-SL-24VDC](#) [20.2500M/5-E](#) [21.155MH/12](#) [SRRHN-2CN-](#)
[SL-12VDC](#) [20.920M/5-E](#) [MC10N-S-10110AC](#) [21.1550MF/8-E](#) [20.910M/6-E](#) [20.95MH/3-E](#) [21.95MV/3](#) [MA05-S-01230AC](#) [SRRHN-2CN-](#)
[SL-5VDC](#) [LB69-4040](#) [20.3001M/6](#) [21.1500M/3-E](#) [SFSYE0311](#) [21.95MHF/6-E](#) [20.95MV/2-E](#) [20.155MV/4-E](#) [20.155MH/4-E](#) [20.950M/2-E](#)
[MT5 1-50-FAR](#) [BS3P3REDO](#) [MB12-S-10=24](#) [MA05-S-1024DC](#) [20.155MVF/8-E](#) [20.2500MV/8-E](#)