

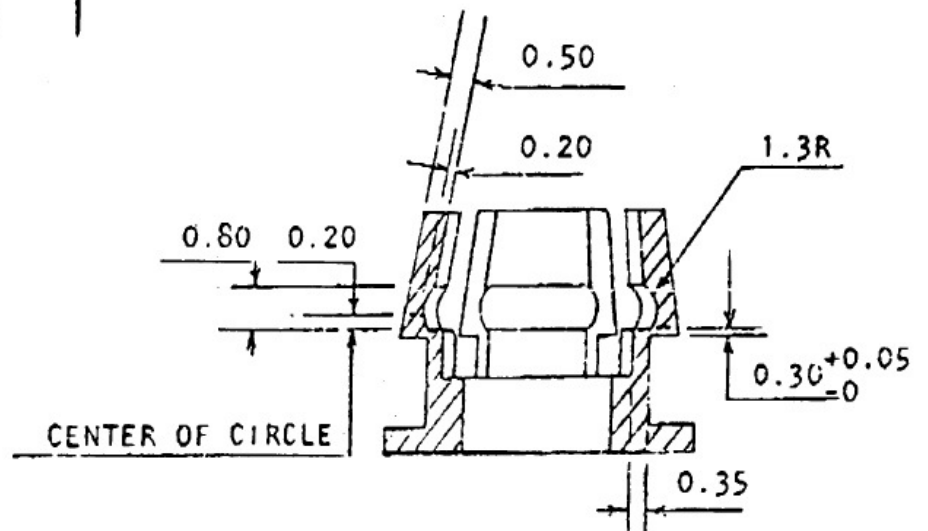
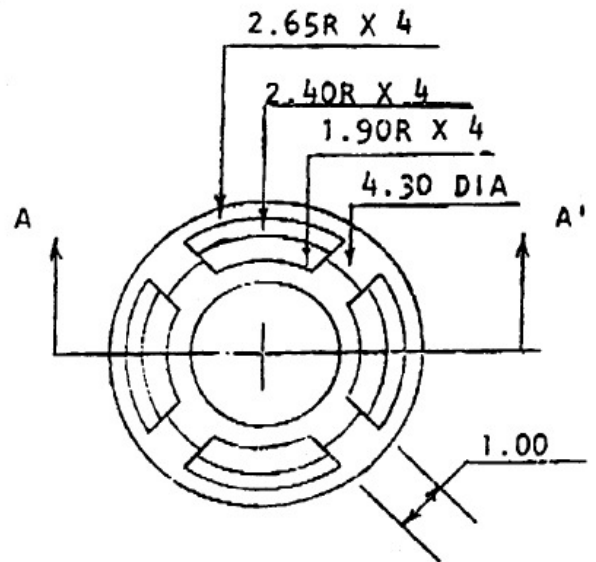
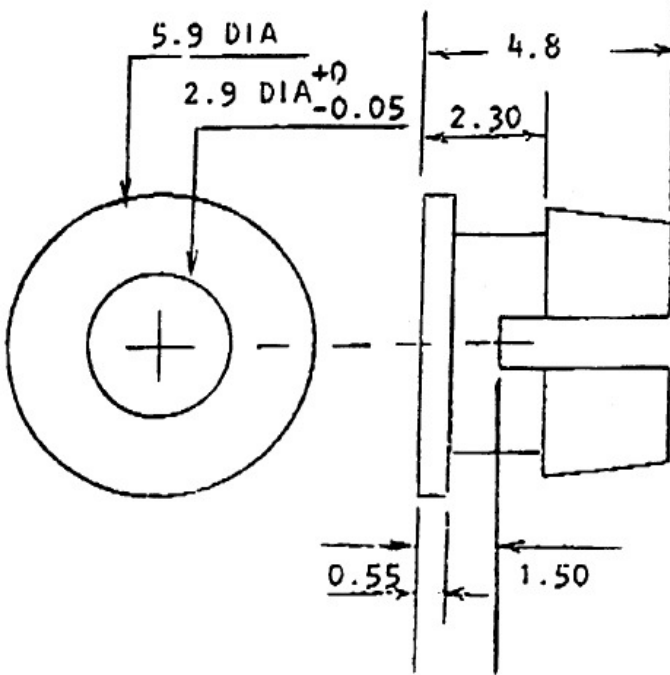
# LED TECHNOLOGY

A DIVISION OF THE FIBRE-DATA GROUP



## LED Holder

Part Number FDC003  
 Colour Black  
 For Use With: 3mm / T-1 LEDs



SECTION A-A'

TOL. IS .X ±0.1  
 .XX ±0.05

## **X-ON Electronics**

Largest Supplier of Electrical and Electronic Components

*Click to view similar products for [led technology manufacturer](#):*

Other Similar products are found below :

[L02R5000Q1](#) [LTR24S3706YG](#) [BRURS3804TE](#) [FDC003](#) [LTR74S3804R](#) [L02R3000F1](#) [LT1802-24](#) [L08R5000Q1](#) [L03R5000Q1](#)  
[L4RR5000E1](#)