

507-013 Split Backshell for Cannon DPKA, DPKB, and DPJM Series Connectors



ARINC
Series 400
(Cannon)

507-013 A M

Basic Part No. _____

Connector Symbol (Table I) _____

Finish: _____

- B = Cadmium Plate/Olive Drab
- J = Iridite, Gold Over Cadmium Plate Over Nickel
- M = Electroless Nickel
- N = Cadmium Plate/Olive Drab over Nickel Plate
- T = Cadmium Plate, Bright Dip, Over Nickel (500 Hour Salt Spray)
- Omit for Cadmium Olive Drab Over Electroless Nickel (1000 Hour Salt Spray)

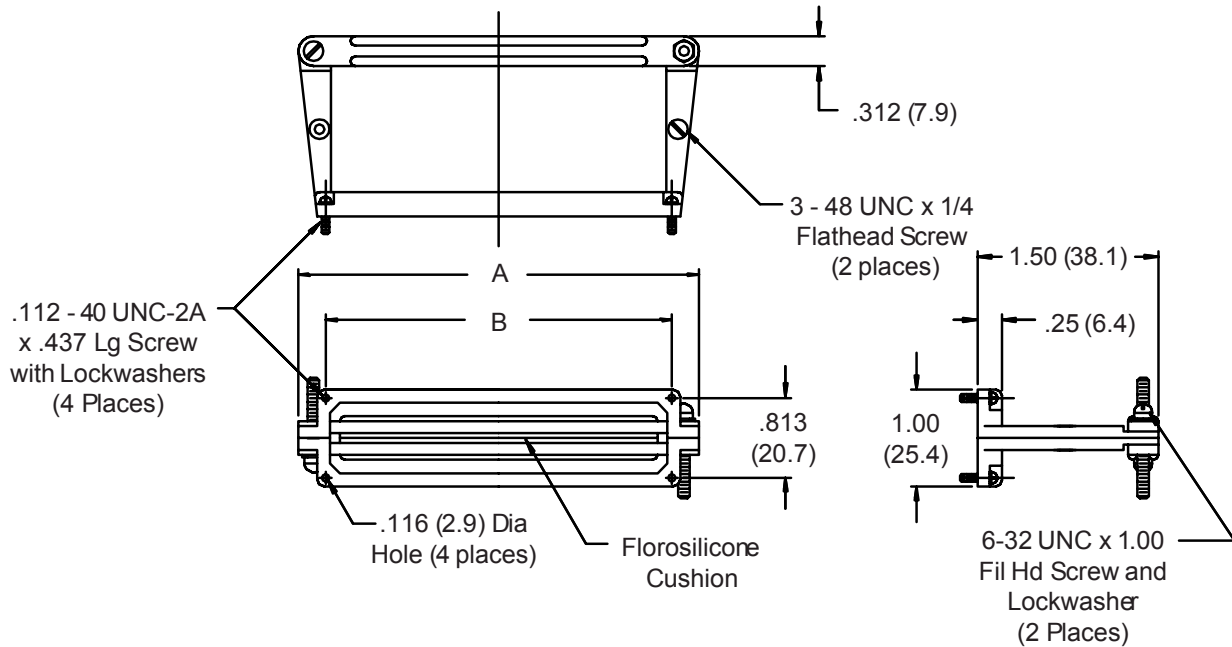


TABLE I: CONNECTOR INTERFACE DIMS					
Connector Symbol	Connector Series	A		B	
		±.062	(1.6)	±.005	(.1)
A	DPKA	2.437	(61.9)	1.895	(48.1)
B	DPKB/DPJM	3.750	(95.3)	3.195	(81.2)

1. Metric dimensions (mm) are indicated in parentheses.
2. Material/Finish:
 - Frame and Saddles = Al Alloy/Finish Per Part Number Development.
 - Hardware = SST/Passivate
 - Saddle Cushion = Fluorosilicone/N.A.

X-ON Electronics

Largest Supplier of Electrical and Electronic Components

Click to view similar products for [Rectangular Mil Spec Connectors](#) category:

Click to view products by [Glenair](#) manufacturer:

Other Similar products are found below :

[006-1169-16](#) [CSR31343-0001-00000](#) [CSR31346-0001-A0001](#) [CSR31899-0001-00000](#) [CSR31900-0001-A0001](#) [CTJ-3D-05](#) [CTS-S16/16](#)
[M55302/57A36X](#) [M55302/58-A70Y](#) [65002-062](#) [65008-D08](#) [CY4602-000](#) [732-8020-01](#) [732-8021-02 B](#) [77058-22-55PN](#) [81542-20](#)
[86.030.0053.0](#) [1241346-1](#) [RM252-020-311-2900](#) [DMC-M 08-16 SNE](#) [1589051-4](#) [BACC65CAMA](#) [BACC65CAMN](#) [BACC65CP1PN](#)
[BACI10BC1220PN](#) [18023-9](#) [HSB-D4S03DM222X](#) [2217548-1](#) [891-009-15SA2-BRT1T](#) [SIM2S100A](#) [1604996-2](#) [SMD25PN90L-4055](#)
[1925036-4](#) [220A012-25225-0](#) [22628-10-6P-791](#) [CSR31343-0001-A0001](#) [CSR31899-0001-A0001](#) [CSR31900-0001-00000](#) [33526M11-08PD](#)
[RE04-212S](#) [CTD160E01F-6148](#) [CTJ112E03B](#) [CTJ122E02D-8000](#) [CTJ-3D-12](#) [CTJ920E06N-513](#) [CTL-16-090](#) [CTR06-5100SY](#)
[M55302/63A20H](#) [M55302/66-30H](#) [M81714/63-22S W/PLUGS INS](#)