

PLEASE CHECK WWW.MOLEX.COM FOR LATEST PART INFORMATION

Part Number: **0740296002**

Status: **Active**

Overview: VHDM® Backplane Connector Systems

Description: 2.00mm Pitch VHDM® Board-to-Board Backplane Receptacle Power Module, Vertical, 6-Row, 4 Circuits, Dual-Module Assembly, Gold (Au) Selective 0.76µm

Documents:

[3D Model](#)

[Drawing \(PDF\)](#)

[Product Specification PS-74031-999 \(PDF\)](#)

[RoHS Certificate of Compliance \(PDF\)](#)

Agency Certification

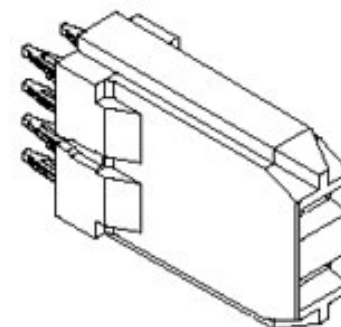
CSA LR19980
UL E29179

General

Product Family Backplane Connectors
Series 74029
Application Backplane
Application Tooling Documents TM-622010999
Comments Backplane Receptacle Module, Power
Component Type Power Receptacle
Overview VHDM® Backplane Connector Systems
Product Name VHDM®
UPC 756054673508

Physical

Circuits (Loaded) 2
Circuits (maximum) 2
Color - Resin Black
Durability (mating cycles max) 200
First Mate / Last Break No
Flammability 94V-0
Guide to Mating Part No
Keying to Mating Part None
Material - Metal High Performance Alloy (HPA)
Material - Plating Mating Gold
Material - Plating Termination Tin-Lead
Material - Resin High Temperature Thermoplastic
Net Weight 2.126/g
Number of Columns N/A
Number of Pairs Open Pin Field
Number of Rows 6
Orientation Vertical
PC Tail Length 2.80mm
PCB Locator No
PCB Retention None
PCB Thickness - Recommended 1.80mm
Packaging Type Tube
Pitch - Mating Interface 2.00mm
Pitch - Termination Interface 4.00mm
Plating min - Mating 0.762µm
Plating min - Termination 0.381µm
Polarized to PCB Yes
Stackable No
Surface Mount Compatible (SMC) Yes
Temperature Range - Operating -55°C to +105°C
Termination Interface: Style Through Hole - Compliant Pin



Series image - Reference only

EU ELV

Not Relevant

EU RoHS

Compliant

REACH SVHC

No -ED/39/2015 (15 June 2015)

Halogen-Free

Status

Low-Halogen

Need more information on product environmental compliance?

Email productcompliance@molex.com
Please visit the [Contact Us](#) section for any non-product compliance questions.

China ROHS

ELV

Green Image

Not Relevant

Search Parts in this Series

74029 Series

Mates With

74026 VHDM® Board-to-Board Daughtercard Receptacle

Application Tooling | FAQ

Tooling specifications and manuals are found by selecting the products below. Crimp Height Specifications are then contained in the Application Tooling Specification document.

Global

Description

Product #

Backplane 6 and 8- Row Power Module Insertion Tool 0622020211

Electrical

Current - Maximum per Contact	10.0A
Data Rate	2.5 Gbps
Real Signals (per 25mm)	72
Shielded	No
Voltage - Maximum	250V

Solder Process Data

Lead-free Process Capability	N/A
------------------------------	-----

Material Info**Reference - Drawing Numbers**

Product Specification	PS-74031-999
Sales Drawing	SD-74029-011

Note: HDM, HDM+, VHDM, VHDM-HSD and GbX are trademarks or registered trademarks of Amphenol TCS.

This document was generated on 12/08/2015

PLEASE CHECK WWW.MOLEX.COM FOR LATEST PART INFORMATION

X-ON Electronics

Largest Supplier of Electrical and Electronic Components

Click to view similar products for [molex](#) manufacturer:

Other Similar products are found below :

[60506-C-50](#) [73108](#) [72903](#) [1062837003](#) [0533241060](#) [68301-1017](#) [71506-C](#) [880504](#) [387790039](#) [53254-0710](#) [85071-0017](#) [70984-4008](#)
[387204903](#) [783472003](#) [514412093](#) [0026482195](#) [0191310031](#) [503308-4410](#) [0008650814](#) [0039000218](#) [89762-1403](#) [89762-1542](#) [89762-1582](#)
[0011404526](#) [00136](#) [0022173102](#) [0026615060](#) [CR4006A30M003](#) [0039532085](#) [58098-0628](#) [0003092041](#) [0008520123](#) [0011030025](#)
[0011184017](#) [0022162060](#) [0022552102](#) [01312](#) [M15730061](#) [61432](#) [6150300002](#) [CS63W64](#) [CS8264N](#) [CS8365N](#) [CS8369](#) [62201-8780](#) [62500-1774](#) [M37730026](#) [63103-50](#) [63443-2215](#) [63443-3160](#)