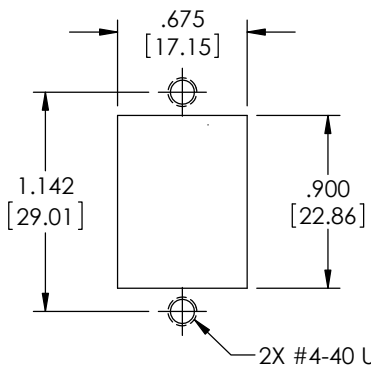
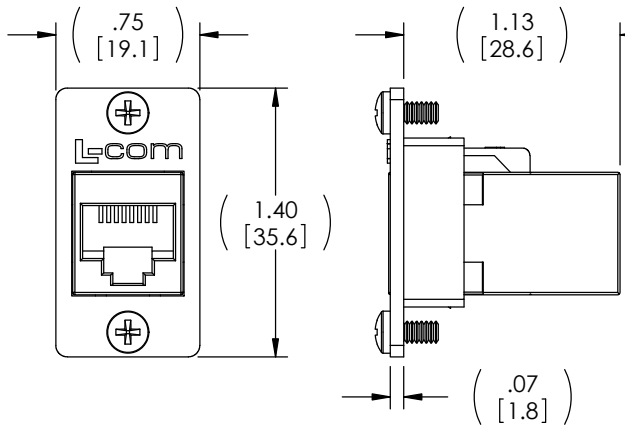


THE INFORMATION CONTAINED IN THIS DRAWING IS THE SOLE PROPERTY OF L-COM, INC. ANY REPRODUCTION IN PART OR WHOLE WITHOUT THE WRITTEN PERMISSION OF L-COM, INC. IS PROHIBITED.

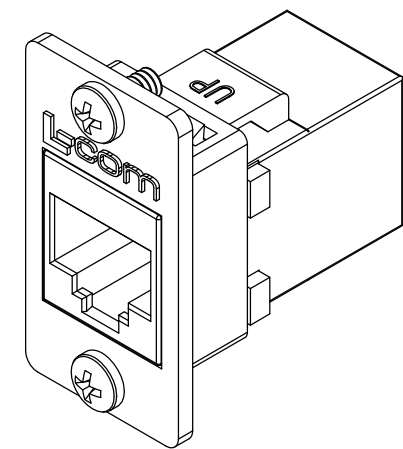
REVISIONS			
REV	DESCRIPTION	DATE	APPROVED
F	ECN 6881: UPDATED DWG FORMAT, PKG, AND UPD PICTORALLY	6/17/13	D. DESJARDIN



**RECOMMENDED  
PANEL OPENING**



CAT 3 SHIELDED RJ45 KEYSTONE COUPLER  
(L-COM P/N: TDG1026KS-8P)



2X 4-40UNC-2A  
X 1/4" LONG



FLANGE MOUNTED KEYSTONE ADAPTOR

**KIT SHOWN FULLY ASSEMBLED FOR CLARITY  
(KIT IS SHIPPED UN-ASSEMBLED)**

- KIT INCLUDES:
- 1- SHIELDED COUPLER
  - 1- FLANGE ADAPTOR
  - 1- PACKAGE MOUNTING SCREWS (4-40x 1/4")



**NOTES:**

**MATERIAL:**  
FLANGED ADAPTOR: ZINC ALLOY  
HARDWARE: STAINLESS STEEL.

**FINISH:**  
FLANGED ADAPTOR: NICKEL PLATE.

**MISCELLANEOUS:**  
CURRENT RATING: 1.5A

**PACKAGING:**  
KITS SHALL BE INDIVIDUALLY PACKAGED IN ACCORDANCE WITH L-COM PACKAGING SPECIFICATION PS-0031.

**REGULATORY COMPLIANCE:**  
ROHS, CE



UNLESS OTHERWISE SPECIFIED, DIMENSIONS ARE IN INCHES [mm] OVERALL CABLE LENGTH TOLERANCE: ≤12 [305] = +1 [25] / -0 >12 [305] ≤60 [1524] = +2 [51] / -0 >60 [1524] ≤120 [3048] = +4 [102] / -0 >120 [3048] ≤300 [7620] = +6 [152] / -0 >300 [7620] = +5% / -0% ALL OTHER DIMENSIONAL TOLERANCES: .X = ± .2 [5.08] .XX = ± .02 [1.51] .XXX = ±.005 [1.13]	APPROVALS DRAWN BY B.MAZEJKA CHECKED BY D.PARHAM APPROVED BY R.CARRICK	DATE 7/1/03 7/2/03 7/3/03	45 BEECHWOOD DRIVE NORTH ANDOVER, MA 01845	
	CONFIGURATION DETAILS OF UNDIMENSIONED FEATURES MAY VARY		CATEGORY TELECOM/MODULAR	
	COLOR VARIATIONS MAY OCCUR		PRODUCT DESCRIPTION CAT 3 SHLD RJ45 PNL CPLR KIT	
	PROJECTION 	SCALE: NONE	SIZE <b>A</b>	FSCM NO. <b>43321</b>

REV. <b>F</b>	DWG. NO. <b>ECF504-SC3</b>	FSCM NO. <b>43321</b>	SCALE: NONE
SHEET 1 OF 1		CAD FILE: ECF504-SC3.SLDDRW	

## X-ON Electronics

Largest Supplier of Electrical and Electronic Components

*Click to view similar products for [Modular Connectors](#) / [Ethernet Connectors](#) category:*

*Click to view products by [L-Com](#) manufacturer:*

Other Similar products are found below :

[RJE231881317T](#) [MP1010RX-1000](#) [MP44RX-1000](#) [GAX-3-66](#) [GAX-8-62](#) [93606-0253](#) [GD-A-44](#) [GDCX-PA-66-50](#) [GDCX-PN-64](#) [GDCX-PN-66](#) [GDCX-PN-66-50](#) [GDLX-A-66](#) [GDLX-A-88](#) [GDLX-N-66](#) [GDLX-S-88K](#) [GDTX-S-88-50](#) [GDX-PA-1010](#) [GLX-N-1010M-BLK](#) [GLX-N-44M](#) [GLX-S-88M-BLK](#) [GMX-N-1010](#) [GMX-S-1010](#) [GMX-S-66](#) [GMX-SMT2-N-1010](#) [GMX-SMT2-N-64-50](#) [GMX-SMT2-S6-88](#) [GMX-SMT4-N-88](#) [GPX-2-64](#) [GRT1-BT1-5](#) [GSGX-N-2-88](#) [GSX-NS2-88-3.05](#) [GSX-NS2-88-3.05-50](#) [GSX-NS-88-3.05-30](#) [GSX-NS-88-3.05-50](#) [GSX-NS-88-3.68](#) [1-1775629-2](#) [GWLX-S-88-GR](#) [GWLX-S9-88-YG](#) [1300500326](#) [1300500227](#) [1300530003](#) [1300570002](#) [1324640-4](#) [RJ11FTVC2G](#) [RJ11FTVC2N](#) [RJFTVX2SA1G](#) [132764-001](#) [1400000](#) [1413176](#) [1413235](#)