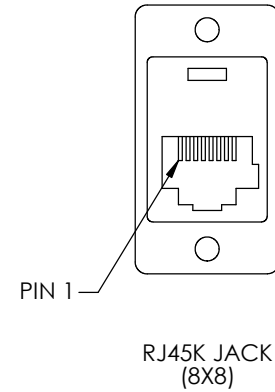
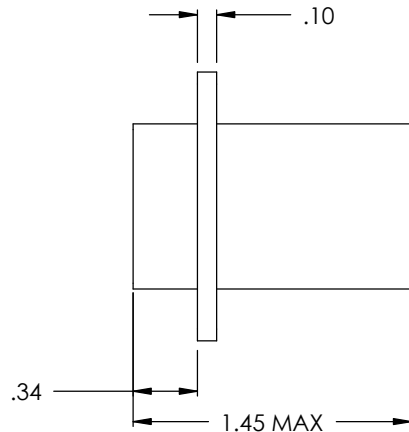
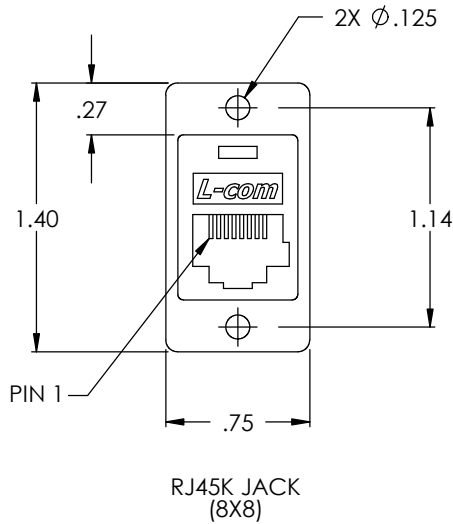


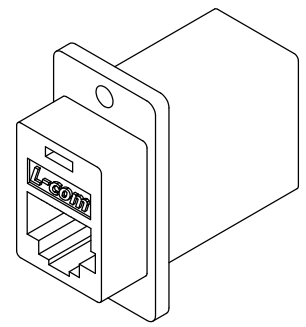
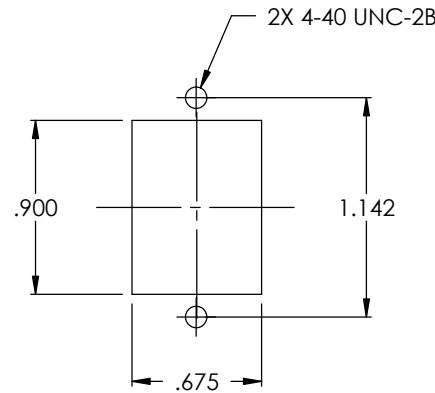
THE INFORMATION CONTAINED IN THIS DRAWING IS THE SOLE PROPERTY OF L-COM, INC. ANY REPRODUCTION IN PART OR WHOLE WITHOUT THE WRITTEN PERMISSION OF L-COM, INC. IS PROHIBITED.

REVISIONS			
REV	DESCRIPTION	DATE	APPROVED
A	RELEASED FOR PRODUCTION	05/04/01	MCCORMICK
B	ADDED PROD VALIDATION, DELETED METRIC DIMENSIONS (ECN1313)	02/26/03	DFF
C	ECN1622: ADDED COMPONENT SPECIFICATION TABLE	12/13/03	DFF



Component Specification	
Material	
Housing	ABS, UL94V-0 compliant Color: Ivory
Contacts	Phosphor Bronze
Contact Plating	Gold, 30 μinches over nickel plating
Design	
Jack	Compliant to mechanical requirements of FCC 68.5 Subpart F
Electrical	
Current Rating	2 Amp (max)
Voltage Rating	140 VDC
Environmental	
Operating Temperature Range	-20°C to +80°C
Application	
Rating	Category 3
Wiring	Straight Through

CS-152



APPROVALS	DATE
DRAWN BY McCORMICK	04/04/01
CHECKED BY D.PARHAM	05/04/01
APPROVED BY R.CARRICK	05/04/01

L-com 45 BEECHWOOD DRIVE
CONNECTIVITY PRODUCTS NORTH ANDOVER, MA 01845

PRODUCT DESCRIPTION
RJ45 (8 X 8) KEYED STRAIGHT WIRED COUPLER

DRAWING TITLE

OUTLINE DRAWING

UNLESS OTHERWISE SPECIFIED, DIMENSIONS ARE IN INCHES. TOLERANCES ARE:
.X ±.1
.XX ±.05
.XXX ±.005
CABLE LENGTH TOLERANCE
<300" ±5% >300" ±2%

CONFIGURATION DETAILS OF UNDIMENSIONED FEATURES MAY VARY

SIZE	FSCM NO.	DWG. NO.	REV.
A	43321	ECF504-8SK-OD1	C

SCALE: NONE CAD FILE: ECF504-8SK-OD1.SLDDRW SHEET 1 OF 1

X-ON Electronics

Largest Supplier of Electrical and Electronic Components

Click to view similar products for [Modular Connectors](#) / [Ethernet Connectors](#) category:

Click to view products by [L-Com](#) manufacturer:

Other Similar products are found below :

[RJE231881317T](#) [MP1010RX-1000](#) [MP44RX-1000](#) [GAX-3-66](#) [GAX-8-62](#) [93606-0253](#) [GD-A-44](#) [GDCX-PA-66-50](#) [GDCX-PN-64](#) [GDCX-PN-66](#) [GDCX-PN-66-50](#) [GDLX-A-66](#) [GDLX-A-88](#) [GDLX-N-66](#) [GDLX-S-88K](#) [GDTX-S-88-50](#) [GDX-PA-1010](#) [GLX-N-1010M-BLK](#) [GLX-N-44M](#) [GLX-S-88M-BLK](#) [GMX-N-1010](#) [GMX-S-1010](#) [GMX-S-66](#) [GMX-SMT2-N-1010](#) [GMX-SMT2-N-64-50](#) [GMX-SMT2-S6-88](#) [GMX-SMT4-N-88](#) [GPX-2-64](#) [GRT1-BT1-5](#) [GSGX-N-2-88](#) [GSX-NS2-88-3.05](#) [GSX-NS2-88-3.05-50](#) [GSX-NS-88-3.05-30](#) [GSX-NS-88-3.05-50](#) [GSX-NS-88-3.68](#) [1-1775629-2](#) [GWLX-S-88-GR](#) [GWLX-S9-88-YG](#) [1300500326](#) [1300500227](#) [1300530003](#) [1300570002](#) [1324640-4](#) [RJ11FTVC2G](#) [RJ11FTVC2N](#) [RJFTVX2SA1G](#) [132764-001](#) [1400000](#) [1413176](#) [1413235](#)