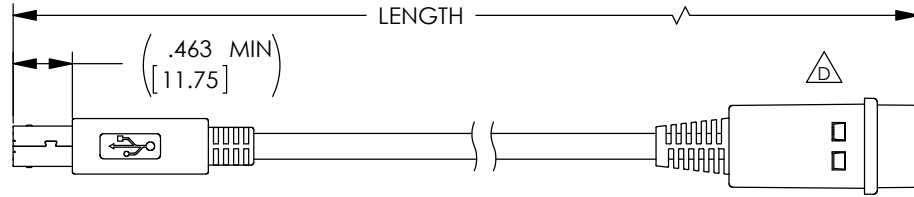


THE INFORMATION CONTAINED IN THIS DRAWING IS THE SOLE PROPERTY OF L-COM, INC.. ANY REPRODUCTION IN PART OR WHOLE WITHOUT THE WRITTEN PERMISSION OF L-COM, INC. IS PROHIBITED.

RoHS Compliant ✓

REVISIONS			
REV	DESCRIPTION	DATE	APPROVED
A	INITIAL RELEASE	11/30/10	D.GRIFFIN
B	ECN5219: CORRECTED PIN CALL-OUT IN PLUG VIEW	12/14/10	DFP
C	ECN6237: ADDED CONTACT PLATING NOTE, UPDATED FORMAT, ADDED .463 DIM.	09/18/12	DFP
D	ECN 6716: CN RELEASE ON SNAP-ON COVER	3/5/13	D.FRISIELLO

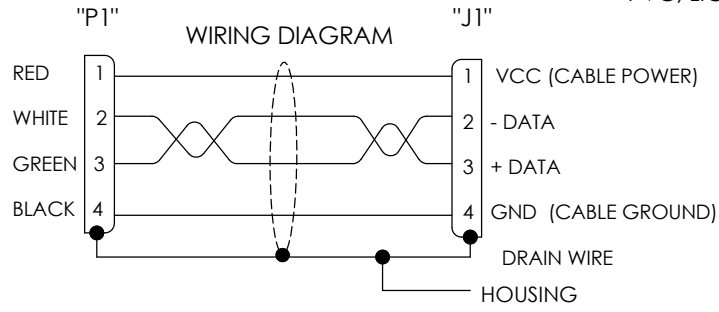
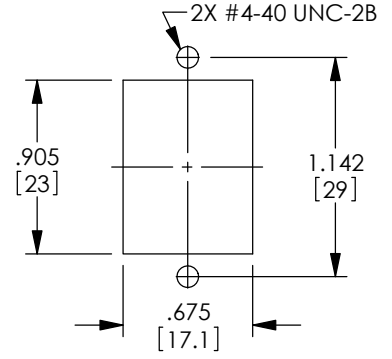
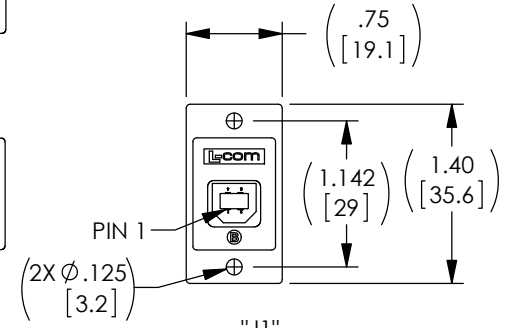
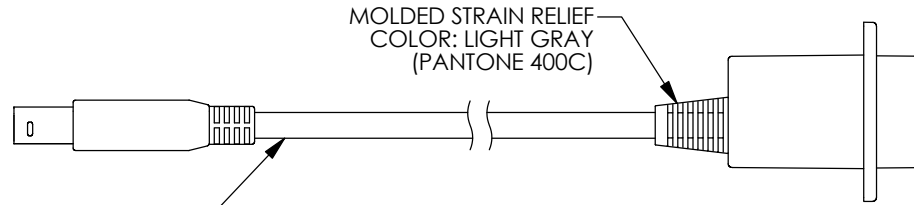
PART NUMBER	LENGTH	
	INCHES	MM
ECF504-12BBS	12.0	[304.8]
ECF504-24BBS	24.0	[609.6]
ECF504-36BBS	36.0	[914.4]
ECF504-72BBS	72.0	[1828.8]
ECF504-120BBS	120.0	[3048.0]



HOUSING: ABS, UL94V-0
FINISH: CHROME

PIN 1

"P1"
USB SERIES "B" PLUG
CONTACT: 30 μINCHES
GOLD PLATING



- NOTES:
1. CABLE ASSEMBLY SHALL HAVE 360° SHIELD TERMINATION.
 2. CABLE ASSEMBLY SHALL MEET USB 2.0 REQUIREMENTS.
 3. CABLE ASSEMBLY SHALL BE TESTED FOR CONTINUITY.
 4. CABLE ASSEMBLY SHALL BE INDIVIDUALLY PACKAGED IN ACCORDANCE WITH L-COM SPECIFICATION PS-0031.

UNLESS OTHERWISE SPECIFIED, DIMENSIONS ARE IN INCHES [mm] OVERALL CABLE LENGTH TOLERANCE: ≤12 [305] = +1 [25] / -0 >12 [305] ≤60 [1524] = +2 [51] / -0 >60 [1524] ≤120 [3048] = +4 [102] / -0 >120 [3048] ≤300 [7620] = +6 [152] / -0 >300 [7620] = +3% / -0%	APPROVALS	DATE
	DRAWN BY D. PARHAM	11/29/2010
	CHECKED BY D. CASTRO	11/29/2010
	APPROVED BY S. SMITH	11/30/2010
ALL OTHER DIMENSIONAL TOLERANCES: .X = ±.2 .XX = ±.02 .XXX = ±.005	CONFIGURATION DETAILS OF UNDIMENSIONED FEATURES MAY VARY	
PROJECTION 	COLOR VARIATIONS MAY OCCUR	

		45 BEECHWOOD DRIVE NORTH ANDOVER, MA 01845	
CATEGORY		USB	
PRODUCT DESCRIPTION			
USB B-F PNL MNT/B-M SHLD			
SIZE A	FSCM NO. 43321	DWG. NO. ECF504-BBS	REV. D
SCALE: NONE		CAD FILE: ECF504-BBS.SLDRW	
			SHEET 1 OF 1

X-ON Electronics

Largest Supplier of Electrical and Electronic Components

Click to view similar products for [l-com manufacturer](#):

Other Similar products are found below :

[FOA-550A](#) [SDRA15AG](#) [UMC-201](#) [CSMN50MF-5](#) [CSMNB15MF-15](#) [TRD815RA2BL-5](#) [CA3N050](#) [CA3A-90DA-1M](#) [U3A00003-03M](#)
[CTLF3VGAMM-20](#) [HDCAMM-3](#) [U3A00014-03M](#) [ECF-SK-25](#) [CSMT15MF-10](#) [CSMT15MM-15](#) [CSMT15MM-25](#) [CSPL15MF-50](#)
[CSPL25MF-25](#) [CSPL9MF-10](#) [CSPL9MF-5](#) [CSPL25MF-5](#) [CSPL25MF-2.5](#) [AL-IPEPS](#) [NB201611-10F-1](#) [TDG1026KC5-MNL](#) [NB121005-](#)
[10F](#) [TRD855SRA6DBL-05M](#) [TRD855SRA6DBL-10M](#) [TRD855SRA7DBL-1M](#) [TRD855SRA7DBL-10M](#) [PR175SCDLCQ24](#) [TRG508-T4T-](#)
[3M](#) [TRA5261-15F](#) [TRA5261S-1F](#) [TRA6261-1F](#) [TRA6261-10F](#) [USBBFT](#) [DGB25M](#) [CASATAL-18](#) [CSM25MM-10](#) [CSM37MF-10](#)
[CSUSB-100](#) [CA3A-90RA-1M](#) [CA3A-90RMICB-1M](#) [U2A00003-3M](#) [U3A00003-05M](#) [U2A00008-12I](#) [U3A00056-03M](#) [U3A00007-075M](#)
[U3A00007-1M](#)