

## PERFECT cable gland

50.6xx PAzzzz/zXz

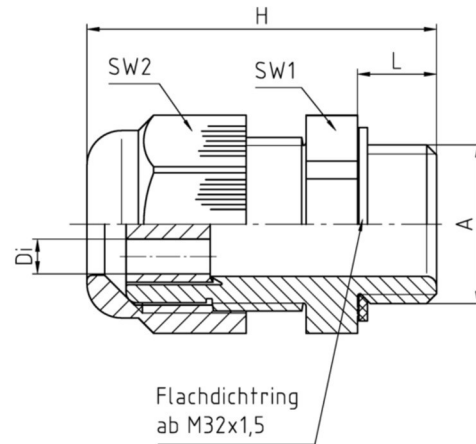
### Configuration

Dome nut	Polyamide PA6 V-2
Sealing insert	Evoprene TPE
Gland body	Polyamide PA6 V-2
Connecting thread	metric, as per EN 60423



### Properties

Temperature range	-20°C +100°C
Protection grade	IP65 if diameters of bore holes in the sealing insert and cable diameters are almost identical
Comment	<ul style="list-style-type: none"> <li>sealing insert for the installation of several single cables</li> </ul> <p>please indicate required sealing insert, e.g. 50.612 PA/4x2 sealing inserts - see under accessories - series WJ-DM xx/zXz</p>




### Features



RAL 9005


Connecting thread standard length

A	L	SW1	SW2	H		Part No.
	mm	mm	mm	mm	Piece	
M12x1,5	8	15	15	31	100	50.612PA/SW/zXz
M16x1,5	8	20	20	35,5	100	50.616PA/SW/zXz
M20x1,5	8	24	24	36	100	50.620PA/SW/zXz
M25x1,5	8	29	29	43	50	50.625PA/SW/zXz
M32x1,5	10	36	36	50	25	50.632PA/SW/zXz
M40x1,5	10	46	46	51	10	50.640PA/SW/zXz



RAL 7035


Connecting thread standard length

A	L	SW1	SW2	H		Part No.
	mm	mm	mm	mm	Piece	
M12x1,5	8	15	15	31	100	50612PA7035/zXz
M16x1,5	8	20	20	35,5	100	50616PA7035/zXz
M20x1,5	8	24	24	36	100	50620PA7035/zXz
M25x1,5	8	29	29	43	50	50625PA7035/zXz
M32x1,5	10	36	36	50	25	50632PA7035/zXz
M40x1,5	10	46	46	51	10	50640PA7035/zXz



RAL 7001

Connecting thread standard length

A	L	SW1	SW2	H		Part No.
	mm	mm	mm	mm	Piece	
M12x1,5	8	15	15	31	100	50.612 PA/zXz
M16x1,5	8	20	20	35,5	100	50.616 PA/zXz
M20x1,5	8	24	24	36	100	50.620 PA/zXz
M25x1,5	8	29	29	43	50	50.625 PA/zXz
M32x1,5	10	36	36	50	25	50.632 PA/zXz
M40x1,5	10	46	46	51	10	50.640 PA/zXz

## X-ON Electronics

Largest Supplier of Electrical and Electronic Components

*Click to view similar products for [Wire Identification](#) category:*

*Click to view products by [Hylec](#) manufacturer:*

Other Similar products are found below :

[CU6337-000](#) [CU6342-000](#) [FCA-410-12](#) [11631010](#) [1-1768037-1](#) [1-1768037-2](#) [1-1768050-0](#) [PXLK-VI](#) [Q62184-1](#) [A64304-000](#) [QMT221](#)  
[HK032WE1NF038B](#) [1330-0519-10](#) [1395199-1](#) [1395200-1](#) [1395202-1](#) [DMVF050WE-300S6](#) [D-SCE-1K-2.4-50-4-CS7834](#) [1538738-1](#)  
[E90935-000](#) [EC1238-000](#) [EC1465-000](#) [EC1855-000](#) [EC1859-000](#) [EC1863-000](#) [EC5415-000](#) [EC7277-000](#) [EC7352-000](#) [EC7603-000](#)  
[EC7707-000](#) [EC7735-000](#) [EC7768-000](#) [EC7828-000](#) [EC7854-000](#) [EC7952-000](#) [EC8128-000](#) [1768037-8](#) [1768041-7](#) [NC-127191-10-9](#)  
[HS048WE2NF038B](#) [C03232-000](#) [HTCM-SCE-14-4H-9](#) [HTMS-3/16-9](#) [HT-SCE-1/4-2.0-4](#) [HT-SCE-3/16-2.0-4](#) [HTTMS-1/2-1.50-9](#) [HTTMS-](#)  
[CM-1/2-4H-9](#) [HX-SCE-19.0-50-9](#) [HX-SCE-6.4-50-4](#) [C25254-000](#)