

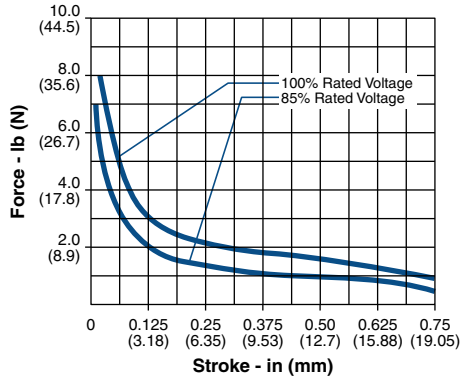
Dormeyer® Laminate Size 1000 (1/2" Stack) — AC Operation

Specifications

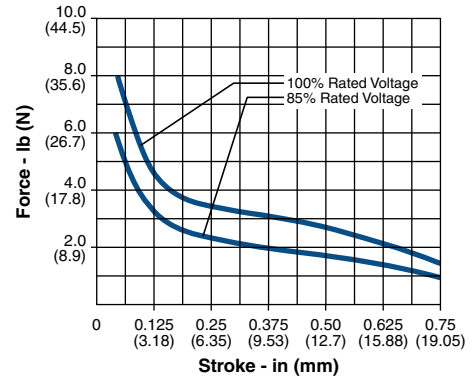
Continuous Duty Cycle	At 20°C ambient temperature
Intermittent Duty Cycle	20% on time, 80% off time. On time not to exceed 3 min. at 20°C ambient temperature
Coil Insulation	Class "A": 105°C max. temperature standard. Class "B" available on request
Coil Termination	Solder lugs
Plunger Variations	See page 37
Total Weight	6.5 oz. (184 g)
Dimensions	See page 37

All catalog products manufactured after April 1, 2006 are RoHS Compliant

AC Continuous Duty



AC Intermittent Duty



Duty Cycle	Continuous		Intermittent	
	1000-M-1	1001-M-1	1500-M-1	1501-M-1
Model	1000-M-1	1001-M-1	1500-M-1	1501-M-1
Volts — 60Hz (50 Hz. avail.)	120	240	120	240
Coil Resistance ± 10% (Ohms at 25°C)	88	354	58	240
Watts Seated ± 10%	9.5	10.0	20.0	18.5
Amps Seated ± 10%	0.24	0.15	0.52	0.24
Amps at 1/8" ± 10%	0.72	0.38	1.20	0.53
Amps at 1/4" ± 10%	0.92	0.47	1.40	0.64
Amps at 3/8" ± 10%	1.00	0.52	1.70	0.76
Amps at 1/2" ± 10%	1.20	0.56	1.80	0.81
Amps at 5/8" ± 10%	1.22	0.60	1.90	0.84

NOTES:

- All data is typical.
- Pull values indicated are without plunger weight. Add or subtract 0.11 lbs. (0.5 N) to obtain net pull when operated with or against gravity. Force data: ±10%. Quiet seal pull: 4.5 oz. (1.2 N) at rated voltage.
- All data reflects operation with no heatsink.
- Other coil terminations available.
- All specifications subject to change without notice.

How to Order

Select the part number from the table provided. (For example, to order a continuous duty cycle unit rated at 120 VAC, specify 1000-M-1.

Please see www.ledex.com (click on Stock Products tab) for our list of stock products available through our distributors.

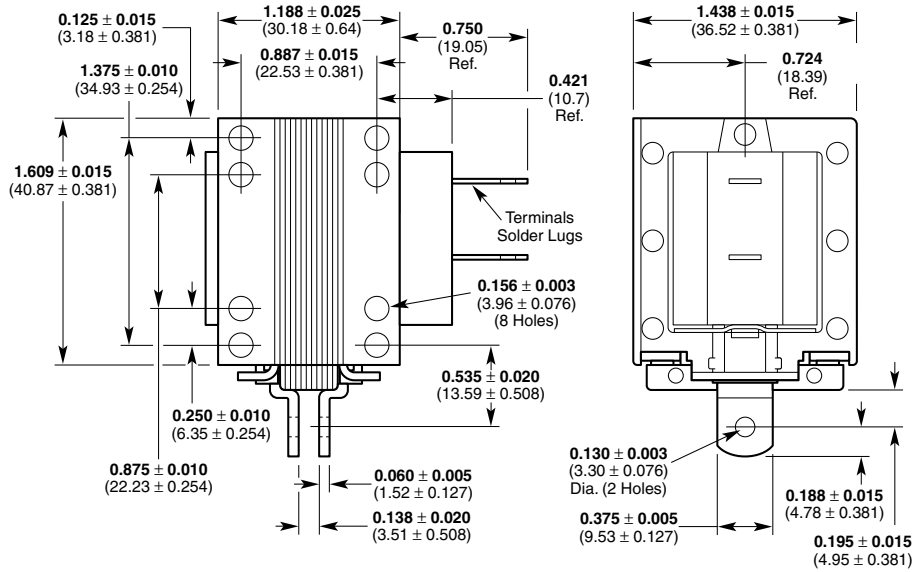
All specifications subject to change without notice.

Dormeyer® Laminate Dimensions

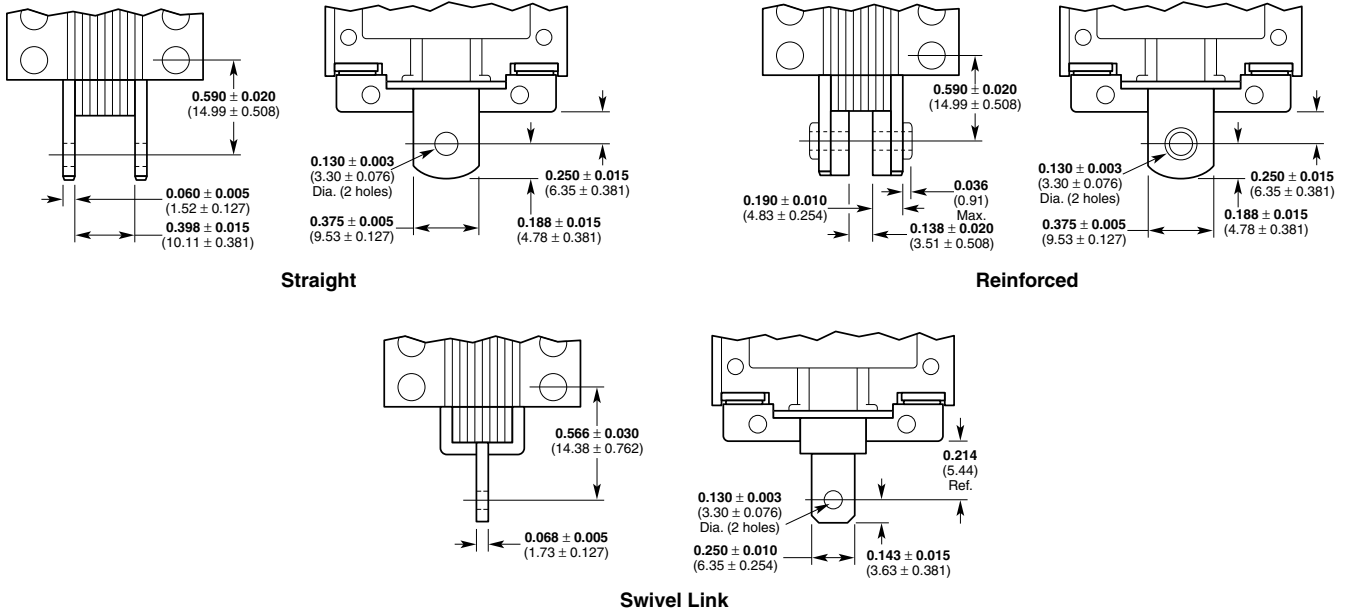
Inches (mm)

All solenoids are illustrated in energized state

Size 1000 (1/2" Stack)



Size 1000 (1/2" Stack) Plunger Variations



All specifications subject to change without notice.

X-ON Electronics

Largest Supplier of Electrical and Electronic Components

Click to view similar products for [dormeyer](#) manufacturer:

Other Similar products are found below :

[1000-M-1](#) [2005-F-34](#) [3000-M-1](#)