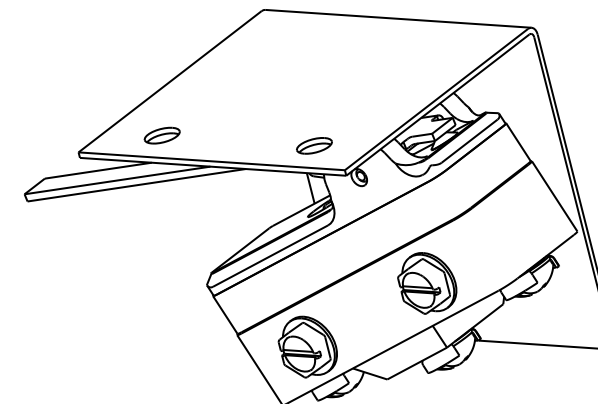
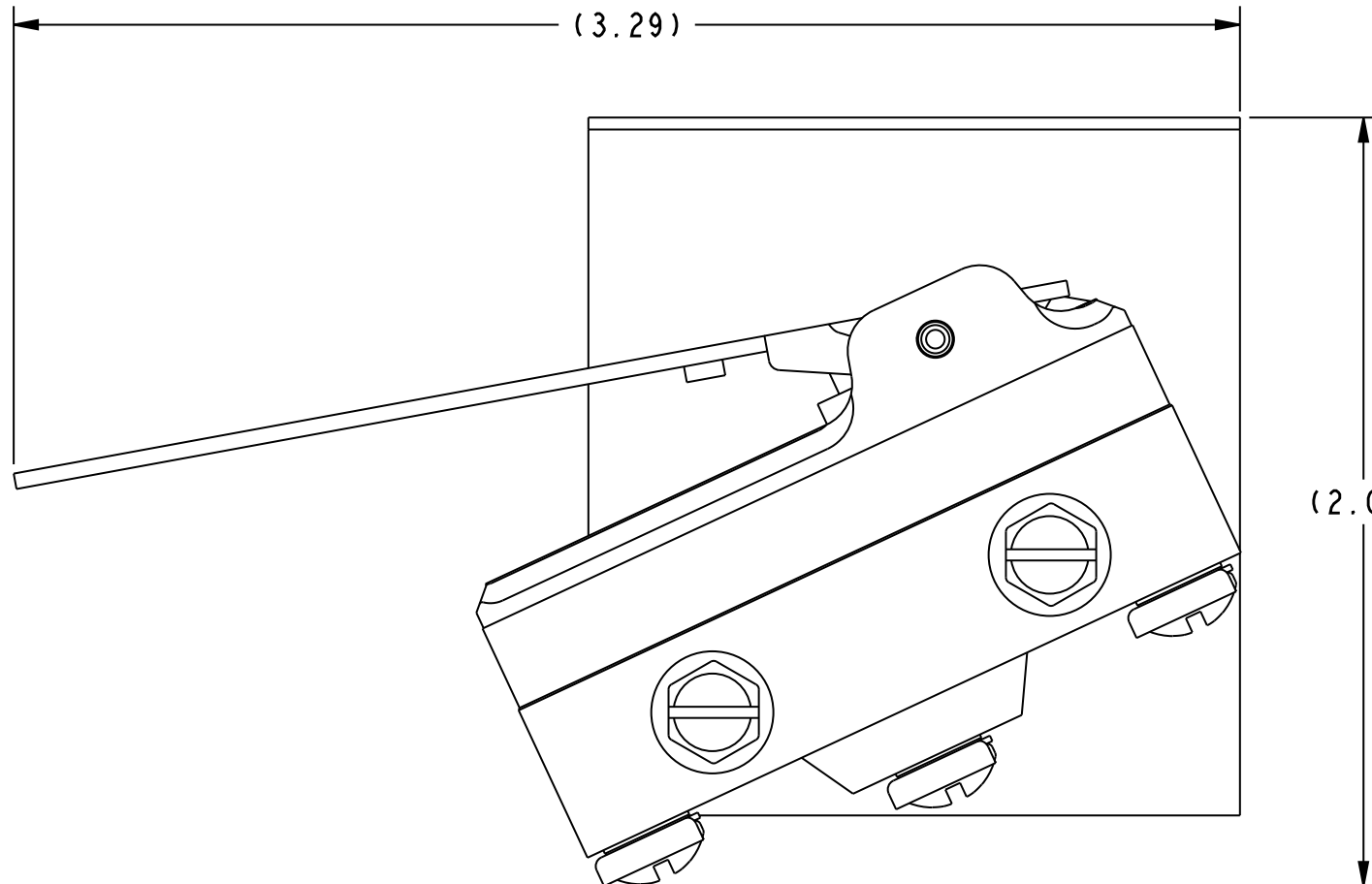
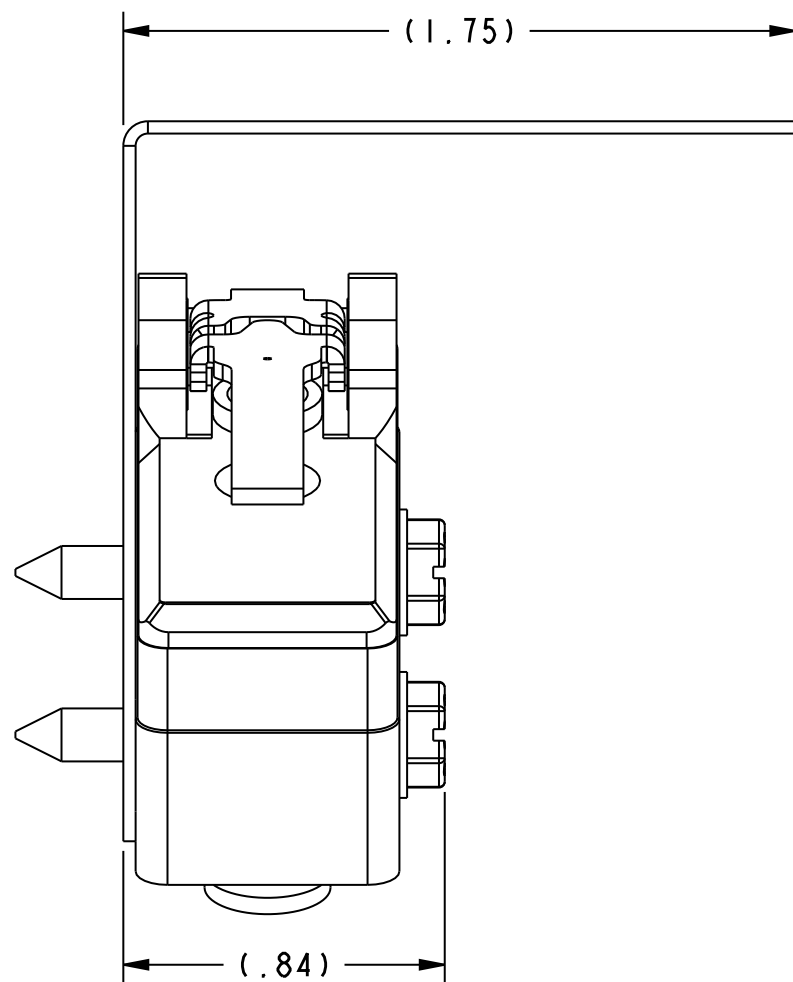


HONEYWELL PART NUMBER
15AS17-BA
KTH0092

REV	DOCUMENT	CHANGED BY	CHECK
A	0055638	SJK 21AUG09	CMH



ISOMETRIC VIEW
SCALE 1:1

A

NOTES:

1 - SWITCH CATALOG LISTING: BA-2RV241-A2

SEE INSTALLATION DRAWING FOR APPLICABLE DIMENSIONS,
CHARACTERISTICS AND RATINGS.

DESIGN UNITS: INCH		
TOLERANCES UNLESS NOTED:		
NO PLACES	x	±
ONE PLACE	.x	±
TWO PLACE	.xx	±
THREE PLACE	.xxx	±
ANGLES	x	±
THIRD ANGLE PROJECTION		

DRAWN	MBH	13AUG09
CHECK	MA	13AUG09
THIS DRAWING COVERS A PROPRIETARY ITEM AND IS THE PROPERTY OF HONEYWELL. THIS DRAWING IS NOT TO BE COPIED OR USED WITHOUT THE PERMISSION OF HONEYWELL.		
INTERPRET PER ASME Y14.5M-1994 OTHER HONEYWELL ENGINEERING STANDARDS MAY APPLY		
Pro/ENGINEER		3D

Honeywell				
TITLE SWITCH, BRACKET ASSEMBLY				
SIZE	TYPE	CAGE CODE	DRAWING NAME	REV
B	I	-	15AS17-BA	A
SCALE	2:1		SHEET	1 OF 1

X-ON Electronics

Largest Supplier of Electrical and Electronic Components

Click to view similar products for [Basic / Snap Action Switches](#) category:

Click to view products by [Honeywell](#) manufacturer:

Other Similar products are found below :

[83228001](#) [01.098.1358.1](#) [602EN1-6B](#) [602EN532](#) [602EN535-RB](#) [602HE5-RB1](#) [604HE162](#) [604HE223-6B](#) [624HE17-RB](#) [6HM89](#) [6PA78-JM](#)
[6SE1](#) [6SX1-H58](#) [70500840](#) [MBD5B1](#) [MBH2731](#) [73-316-0012](#) [79211759](#) [79211923](#) [79218589](#) [7AS12](#) [ML-1155](#) [ML-1376](#) [831010C3.0](#)
[831060C3.TL](#) [831090C2.EL](#) [83131904](#) [84212012](#) [8AS239](#) [8HM73-3](#) [903VB1-PG](#) [914CE1-6G](#) [PL-100](#) [11SM1077-H4](#) [11SM1077-H58](#)
[11SM1-TN107](#) [11SM405](#) [11SM703-T](#) [11SM8423-H2](#) [11SX37-T](#) [11SX48-H58](#) [11SX55-H58](#) [11SM2442-T](#) [11SM76-T](#) [11SM77-H58](#)
[11SM77-T](#) [11SM863-T](#) [11SM866](#) [11SX47-H58](#) [A7CN-1M-1-LEFT](#)