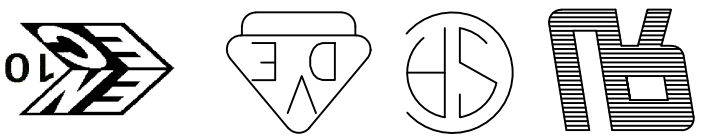


CUSTOMER DRAWING		SCALE 3:1		SHEET 1 of 7		REV E1	
MATERIAL		FINISH		WEIGHT		CUSTOMER DRAWING	
DIMENSIONS: mm		TOLERANCES UNLESS OTHERWISE SPECIFIED:		APVD		NAME	
0 PLC ±		1 PLC ±		2 PLC ±		PRODUCT SPEC	
1 PLC ±		2 PLC ±		3 PLC ±		APPLICATION SPEC	
2 PLC ±		3 PLC ±		4 PLC ±		APPLICATIO SPEC	
3 PLC ±		4 PLC ±		5 PLC ±		APVD	
4 PLC ±		5 PLC ±		6 PLC ±		NAME	
5 PLC ±		6 PLC ±		7 PLC ±		POWER ROCKER SWITCH 19.4MM X 22.2mm	
6 PLC ±		7 PLC ±		8 PLC ±		PANEL SIZE DPST, NON-ILLUMINATED	
7 PLC ±		8 PLC ±		9 PLC ±		RESTRICTED TO	
8 PLC ±		9 PLC ±		10 PLC ±		DRAWING NO	
9 PLC ±		10 PLC ±		11 PLC ±		CAGE CODE	
10 PLC ±		11 PLC ±		12 PLC ±		SIZE	
11 PLC ±		12 PLC ±		13 PLC ±		00779	
12 PLC ±		13 PLC ±		14 PLC ±		A2	
13 PLC ±		14 PLC ±		15 PLC ±		1634200	
14 PLC ±		15 PLC ±		16 PLC ±		1634200	
15 PLC ±		16 PLC ±		17 PLC ±		1634200	
16 PLC ±		17 PLC ±		18 PLC ±		1634200	
17 PLC ±		18 PLC ±		19 PLC ±		1634200	
18 PLC ±		19 PLC ±		20 PLC ±		1634200	
19 PLC ±		20 PLC ±		21 PLC ±		1634200	
20 PLC ±		21 PLC ±		22 PLC ±		1634200	
21 PLC ±		22 PLC ±		23 PLC ±		1634200	
22 PLC ±		23 PLC ±		24 PLC ±		1634200	
23 PLC ±		24 PLC ±		25 PLC ±		1634200	
24 PLC ±		25 PLC ±		26 PLC ±		1634200	
25 PLC ±		26 PLC ±		27 PLC ±		1634200	
26 PLC ±		27 PLC ±		28 PLC ±		1634200	
27 PLC ±		28 PLC ±		29 PLC ±		1634200	
28 PLC ±		29 PLC ±		30 PLC ±		1634200	
29 PLC ±		30 PLC ±		31 PLC ±		1634200	
30 PLC ±		31 PLC ±		32 PLC ±		1634200	
31 PLC ±		32 PLC ±		33 PLC ±		1634200	
32 PLC ±		33 PLC ±		34 PLC ±		1634200	
33 PLC ±		34 PLC ±		35 PLC ±		1634200	
34 PLC ±		35 PLC ±		36 PLC ±		1634200	
35 PLC ±		36 PLC ±		37 PLC ±		1634200	
36 PLC ±		37 PLC ±		38 PLC ±		1634200	
37 PLC ±		38 PLC ±		39 PLC ±		1634200	
38 PLC ±		39 PLC ±		40 PLC ±		1634200	
39 PLC ±		40 PLC ±		41 PLC ±		1634200	
40 PLC ±		41 PLC ±		42 PLC ±		1634200	
41 PLC ±		42 PLC ±		43 PLC ±		1634200	
42 PLC ±		43 PLC ±		44 PLC ±		1634200	
43 PLC ±		44 PLC ±		45 PLC ±		1634200	
44 PLC ±		45 PLC ±		46 PLC ±		1634200	
45 PLC ±		46 PLC ±		47 PLC ±		1634200	
46 PLC ±		47 PLC ±		48 PLC ±		1634200	
47 PLC ±		48 PLC ±		49 PLC ±		1634200	
48 PLC ±		49 PLC ±		50 PLC ±		1634200	
49 PLC ±		50 PLC ±		51 PLC ±		1634200	
50 PLC ±		51 PLC ±		52 PLC ±		1634200	
51 PLC ±		52 PLC ±		53 PLC ±		1634200	
52 PLC ±		53 PLC ±		54 PLC ±		1634200	
53 PLC ±		54 PLC ±		55 PLC ±		1634200	
54 PLC ±		55 PLC ±		56 PLC ±		1634200	
55 PLC ±		56 PLC ±		57 PLC ±		1634200	
56 PLC ±		57 PLC ±		58 PLC ±		1634200	
57 PLC ±		58 PLC ±		59 PLC ±		1634200	
58 PLC ±		59 PLC ±		60 PLC ±		1634200	
59 PLC ±		60 PLC ±		61 PLC ±		1634200	
60 PLC ±		61 PLC ±		62 PLC ±		1634200	
61 PLC ±		62 PLC ±		63 PLC ±		1634200	
62 PLC ±		63 PLC ±		64 PLC ±		1634200	
63 PLC ±		64 PLC ±		65 PLC ±		1634200	
64 PLC ±		65 PLC ±		66 PLC ±		1634200	
65 PLC ±		66 PLC ±		67 PLC ±		1634200	
66 PLC ±		67 PLC ±		68 PLC ±		1634200	
67 PLC ±		68 PLC ±		69 PLC ±		1634200	
68 PLC ±		69 PLC ±		70 PLC ±		1634200	
69 PLC ±		70 PLC ±		71 PLC ±		1634200	
70 PLC ±		71 PLC ±		72 PLC ±		1634200	
71 PLC ±		72 PLC ±		73 PLC ±		1634200	
72 PLC ±		73 PLC ±		74 PLC ±		1634200	
73 PLC ±		74 PLC ±		75 PLC ±		1634200	
74 PLC ±		75 PLC ±		76 PLC ±		1634200	
75 PLC ±		76 PLC ±		77 PLC ±		1634200	
76 PLC ±		77 PLC ±		78 PLC ±		1634200	
77 PLC ±		78 PLC ±		79 PLC ±		1634200	
78 PLC ±		79 PLC ±		80 PLC ±		1634200	
79 PLC ±		80 PLC ±		81 PLC ±		1634200	
80 PLC ±		81 PLC ±		82 PLC ±		1634200	
81 PLC ±		82 PLC ±		83 PLC ±		1634200	
82 PLC ±		83 PLC ±		84 PLC ±		1634200	
83 PLC ±		84 PLC ±		85 PLC ±		1634200	
84 PLC ±		85 PLC ±		86 PLC ±		1634200	
85 PLC ±		86 PLC ±		87 PLC ±		1634200	
86 PLC ±		87 PLC ±		88 PLC ±		1634200	
87 PLC ±		88 PLC ±		89 PLC ±		1634200	
88 PLC ±		89 PLC ±		90 PLC ±		1634200	
89 PLC ±		90 PLC ±		91 PLC ±		1634200	
90 PLC ±		91 PLC ±		92 PLC ±		1634200	
91 PLC ±		92 PLC ±		93 PLC ±		1634200	
92 PLC ±		93 PLC ±		94 PLC ±		1634200	
93 PLC ±		94 PLC ±		95 PLC ±		1634200	
94 PLC ±		95 PLC ±		96 PLC ±		1634200	
95 PLC ±		96 PLC ±		97 PLC ±		1634200	
96 PLC ±		97 PLC ±		98 PLC ±		1634200	
97 PLC ±		98 PLC ±		99 PLC ±		1634200	
98 PLC ±		99 PLC ±		100 PLC ±		1634200	
99 PLC ±		100 PLC ±		101 PLC ±		1634200	
100 PLC ±		101 PLC ±		102 PLC ±		1634200	
101 PLC ±		102 PLC ±		103 PLC ±		1634200	
102 PLC ±		103 PLC ±		104 PLC ±		1634200	
103 PLC ±		104 PLC ±		105 PLC ±		1634200	
104 PLC ±		105 PLC ±		106 PLC ±		1634200	
105 PLC ±		106 PLC ±		107 PLC ±		1634200	
106 PLC ±		107 PLC ±		108 PLC ±		1634200	
107 PLC ±		108 PLC ±		109 PLC ±		1634200	
108 PLC ±		109 PLC ±		110 PLC ±		1634200	
109 PLC ±		110 PLC ±		111 PLC ±		1634200	
110 PLC ±		111 PLC ±		112 PLC ±		1634200	
111 PLC ±		112 PLC ±		113 PLC ±		1634200	
112 PLC ±		113 PLC ±		114 PLC ±		1634200	
113 PLC ±		114 PLC ±		115 PLC ±		1634200	
114 PLC ±		115 PLC ±		116 PLC ±		1634200	
115 PLC ±		116 PLC ±		117 PLC ±		1634200	
116 PLC ±		117 PLC ±		118 PLC ±		1634200	
117 PLC ±		118 PLC ±		119 PLC ±		1634200	
118 PLC ±		119 PLC ±		120 PLC ±		1634200	
119 PLC ±		120 PLC ±		121 PLC ±		1634200	
120 PLC ±		121 PLC ±		122 PLC ±		1634200	
121 PLC ±		122 PLC ±		123 PLC ±		1634200	
122 PLC ±		123 PLC ±		124 PLC ±		1634200	
123 PLC ±		124 PLC ±		125 PLC ±		1634200	
124 PLC ±		125 PLC ±		126 PLC ±		1634200	
125 PLC ±		126 PLC ±		127 PLC ±		1634200	
126 PLC ±		127 PLC ±		128 PLC ±		1634200	
127 PLC ±		128 PLC ±		129 PLC ±		1634200	
128 PLC ±		129 PLC ±		130 PLC ±		1634200	
129 PLC ±		130 PLC ±		131 PLC ±		1634200	
130 PLC ±		131 PLC ±		132 PLC ±		1634200	
131 PLC ±		132 PLC ±		133 PLC ±		1634200	
132 PLC ±		133 PLC ±		134 PLC ±		1634200	
133 PLC ±		134 PLC ±		135 PLC ±		1634200	
134 PLC ±		135 PLC ±		136 PLC ±		1634200	
135 PLC ±		136 PLC ±		137 PLC ±		1634200	
136 PLC ±		137 PLC ±		138 PLC ±		1634200	
137 PLC ±		138 PLC ±		139 PLC ±		1634200	
138 PLC ±		139 PLC ±		140 PLC ±		1634200	
139 PLC ±		140 PLC ±		141 PLC ±		1634200	
140 PLC ±		141 PLC ±		142 PLC ±		1634200	
141 PLC ±		142 PLC ±		143 PLC ±		1634200	
142 PLC ±		143 PLC ±		144 PLC ±		1634200	
143 PLC ±		144 PLC ±		145 PLC ±		1634200	
144 PLC ±		145 PLC ±		146 PLC ±		1634200	
145 PLC ±		146 PLC ±		147 PLC ±		1634200	
146 PLC ±		147 PLC ±		148 PLC ±		1634200	
147 PLC ±		148 PLC ±		149 PLC ±		1634200	
148 PLC ±		149 PLC ±		150 PLC ±		1634200	
149 PLC ±		150 PLC ±		151 PLC ±		1634200	
150 PLC ±		151 PLC ±		152 PLC ±		1634200	
151 PLC ±		152 PLC ±		153 PLC ±		1634200	
152 PLC ±		153 PLC ±		154 PLC ±		1634200	
153 PLC ±		154 PLC ±		155 PLC ±		1634200	
154 PLC ±		155 PLC ±		156 PLC ±		1634200	
155 PLC ±		156 PLC ±		157 PLC ±		1634200	
156 PLC ±		157 PLC ±		158 PLC ±		1634200	
157 PLC ±		158 PLC ±		159 PLC ±		1634200	
158 PLC ±		159 PLC ±		160 PLC ±		1634200	
159 PLC ±		160 PLC ±		161 PLC ±		1634200	
160 PLC ±		161 PLC ±		162 PLC ±		1634200	
161 PLC ±		162 PLC ±		163 PLC ±		1634200	
162 PLC ±		163 PLC ±		164 PLC ±		1634200	
163 PLC ±		164 PLC ±		165 PLC ±		1634200	
164 PLC ±		165 PLC ±		166 PLC ±		1634200	
165 PLC ±		166 PLC ±		167 PLC ±		1634200	
166 PLC ±		167 PLC ±		168 PLC ±		1634200	
167 PLC ±		168 PLC ±		169 PLC ±		1634200	
168 PLC ±		169 PLC ±		170 PLC ±		1634200	
169 PLC ±		170 PLC ±		171 PLC ±		1634200	
170 PLC ±		171 PLC ±		172 PLC ±		1634200	
171 PLC ±		172 PLC ±		173 PLC ±		1634200	
172 PLC ±		173 PLC ±		174 PLC ±		1634200	
173 PLC ±		174 PLC ±		175 PLC ±		1634200	
174 PLC ±		175 PLC ±		176 PLC ±		1634200	
175 PLC ±		176 PLC ±		177 PLC ±		1634200	
176 PLC ±		177 PLC ±		178 PLC ±		1634200	
177 PLC ±		178 PLC ±		179 PLC ±		1634200	
178 PLC ±		179 PLC ±		180 PLC ±		1634200	
179 PLC ±		180 PLC ±		181 PLC ±		1634200	
180 PLC ±		181 PLC ±		182 PLC ±		1634200	
181 PLC ±		182 PLC ±		183 PLC ±		1634200	
182 PLC ±		183 PLC ±		184 PLC ±		1634200	
183 PLC ±		184 PLC ±		185 PLC ±		1634200	
184 PLC ±		185 PLC ±		186 PLC ±		1634200	
185 PLC ±		186 PLC ±		187 PLC ±		1634200	
186 PLC ±		187 PLC ±		188 PLC ±		1634200	
187 PLC ±		188 PLC ±		189 PLC ±		1634200	
188 PLC ±		189 PLC ±		190 PLC ±		1634200	
189 PLC ±		190 PLC ±		191 PLC ±		1634200	
190 PLC ±		191 PLC ±		192 PLC ±		1634200	
191 PLC ±		192 PLC ±		193 PLC ±		1634200	

MATERIAL: -		DIMENSIONS: mm		TOLERANCES UNLESS OTHERWISE SPECIFIED:	
FINISH: 0 PL ±, 1 PL ±, 2 PL ±, 3 PL ±, 4 PL ±		APVD: -		NAME: POWER ROCKER SWITCH 19.4MM X 22.2mm	
WEIGHT: -		PRODUCT SPEC: -		APPLICATION SPEC: -	
CUSTOMER DRAWING: -		SIZE: A2		DRAWING NO: 1634200	
SCALE: 3:1		SHEET: 5 of 7		REV: E1	

THIS DRAWING IS A CONTROLLED DOCUMENT. DWN SA008712 2-4-07

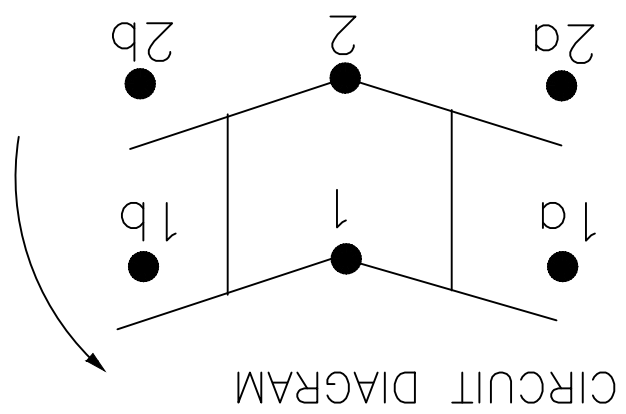
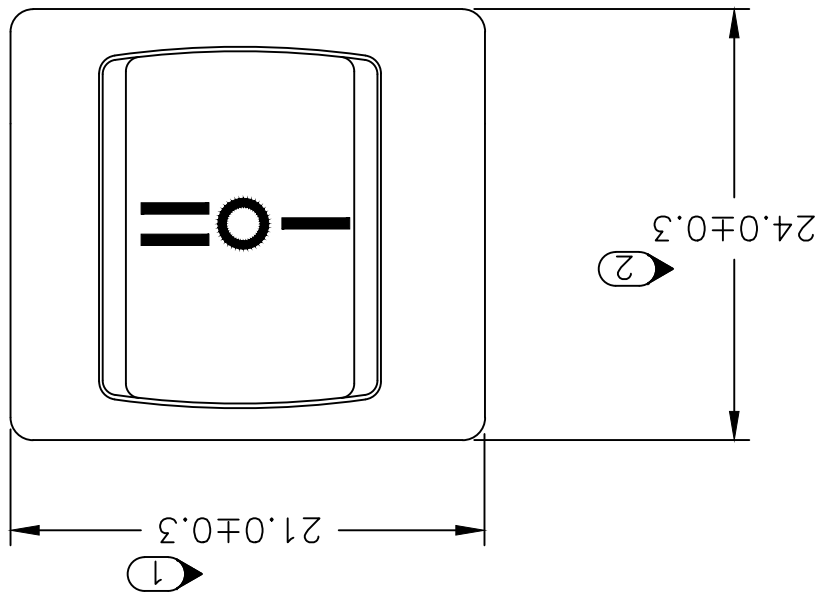
TYCO ELECTRONICS LOGO
PER TEC-202-36



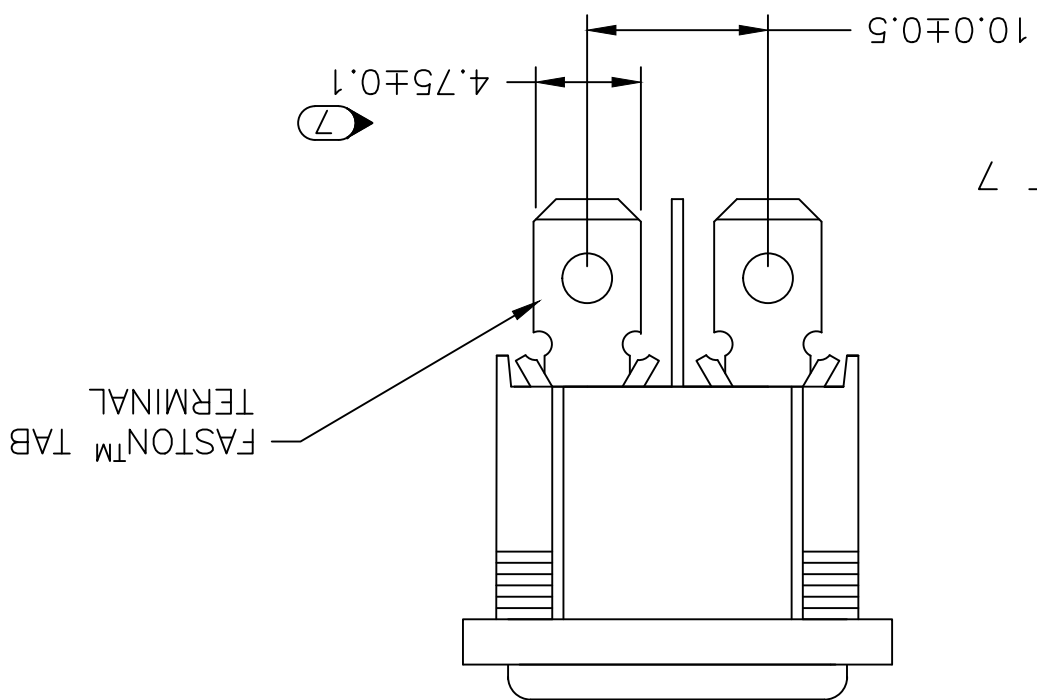
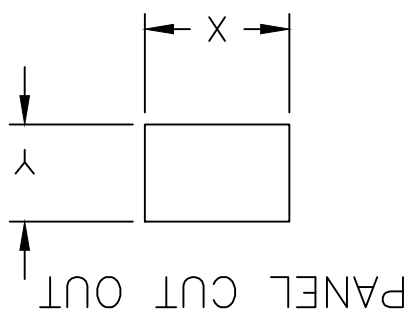
10A 125VAC, 6A 250VAC

PRE

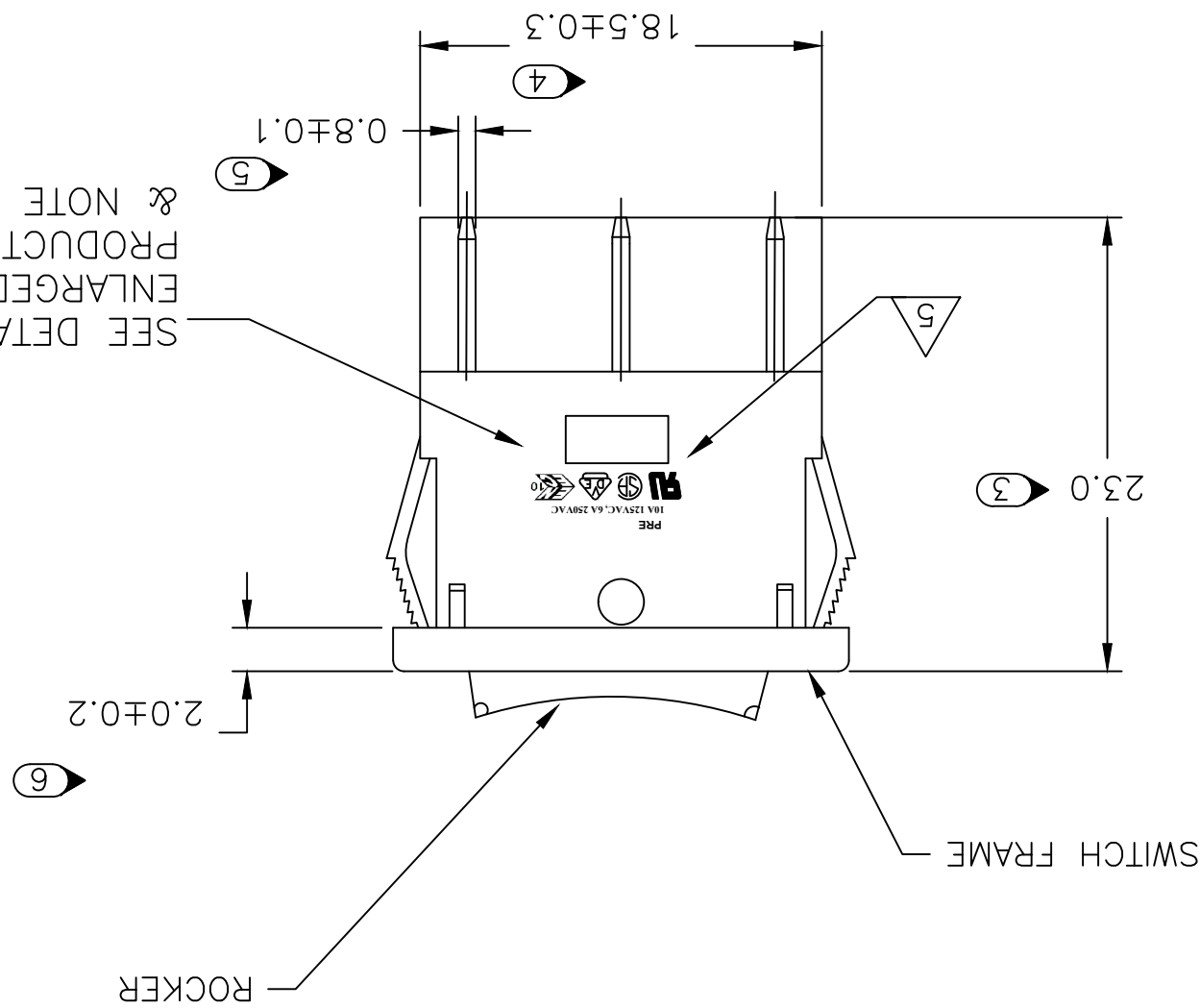
PRODUCT MARKING
DETAIL A



PANEL THICKNESS	X	Y
0.75-1.25	19.40	22.20
1.25-2.00	19.60	22.20
2.00-3.00	20.20	22.20



SEE DETAIL A FOR ENLARGED VIEW OF PRODUCT MARKINGS & NOTE 5 ON SHEET 7

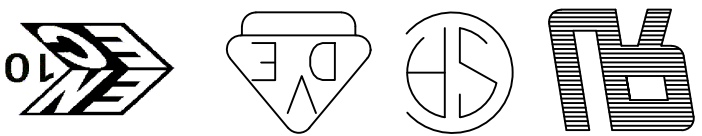


REVISIONS	P	LTR	DATE	DESCRIPTION
1	-	-	-	SEE SHEET 1

CUSTOMER DRAWING		SCALE 3:1		SHEET 6 of 7		REV E1	
MATERIAL		FINISH		WEIGHT		CUSTOMER DRAWING	
DIMENSIONS: mm		TOLERANCES UNLESS OTHERWISE SPECIFIED:		NAME		POWER ROCKER SWITCH 19.4MM X 22.2mm	
0 PLC ±		1 PLC ±		PRODUCT SPEC		PANEL SIZE DPST, NON-ILLUMINATED	
2 PLC ±		3 PLC ±		APPLICATION SPEC		APVD	
3 PLC ±		4 PLC ±		APVD		TE Connectivity	
4 PLC ±		5 PLC ±		APVD		SA008712	
5 PLC ±		6 PLC ±		APVD		2-4-07	
6 PLC ±		7 PLC ±		APVD		DMN	
7 PLC ±		8 PLC ±		APVD		SA008712	
8 PLC ±		9 PLC ±		APVD		2-4-07	
9 PLC ±		10 PLC ±		APVD		SA008712	
10 PLC ±		11 PLC ±		APVD		2-4-07	
11 PLC ±		12 PLC ±		APVD		SA008712	
12 PLC ±		13 PLC ±		APVD		2-4-07	
13 PLC ±		14 PLC ±		APVD		SA008712	
14 PLC ±		15 PLC ±		APVD		2-4-07	
15 PLC ±		16 PLC ±		APVD		SA008712	
16 PLC ±		17 PLC ±		APVD		2-4-07	
17 PLC ±		18 PLC ±		APVD		SA008712	
18 PLC ±		19 PLC ±		APVD		2-4-07	
19 PLC ±		20 PLC ±		APVD		SA008712	
20 PLC ±		21 PLC ±		APVD		2-4-07	
21 PLC ±		22 PLC ±		APVD		SA008712	
22 PLC ±		23 PLC ±		APVD		2-4-07	
23 PLC ±		24 PLC ±		APVD		SA008712	
24 PLC ±		25 PLC ±		APVD		2-4-07	
25 PLC ±		26 PLC ±		APVD		SA008712	
26 PLC ±		27 PLC ±		APVD		2-4-07	
27 PLC ±		28 PLC ±		APVD		SA008712	
28 PLC ±		29 PLC ±		APVD		2-4-07	
29 PLC ±		30 PLC ±		APVD		SA008712	
30 PLC ±		31 PLC ±		APVD		2-4-07	
31 PLC ±		32 PLC ±		APVD		SA008712	
32 PLC ±		33 PLC ±		APVD		2-4-07	
33 PLC ±		34 PLC ±		APVD		SA008712	
34 PLC ±		35 PLC ±		APVD		2-4-07	
35 PLC ±		36 PLC ±		APVD		SA008712	
36 PLC ±		37 PLC ±		APVD		2-4-07	
37 PLC ±		38 PLC ±		APVD		SA008712	
38 PLC ±		39 PLC ±		APVD		2-4-07	
39 PLC ±		40 PLC ±		APVD		SA008712	
40 PLC ±		41 PLC ±		APVD		2-4-07	
41 PLC ±		42 PLC ±		APVD		SA008712	
42 PLC ±		43 PLC ±		APVD		2-4-07	
43 PLC ±		44 PLC ±		APVD		SA008712	
44 PLC ±		45 PLC ±		APVD		2-4-07	
45 PLC ±		46 PLC ±		APVD		SA008712	
46 PLC ±		47 PLC ±		APVD		2-4-07	
47 PLC ±		48 PLC ±		APVD		SA008712	
48 PLC ±		49 PLC ±		APVD		2-4-07	
49 PLC ±		50 PLC ±		APVD		SA008712	
50 PLC ±		51 PLC ±		APVD		2-4-07	
51 PLC ±		52 PLC ±		APVD		SA008712	
52 PLC ±		53 PLC ±		APVD		2-4-07	
53 PLC ±		54 PLC ±		APVD		SA008712	
54 PLC ±		55 PLC ±		APVD		2-4-07	
55 PLC ±		56 PLC ±		APVD		SA008712	
56 PLC ±		57 PLC ±		APVD		2-4-07	
57 PLC ±		58 PLC ±		APVD		SA008712	
58 PLC ±		59 PLC ±		APVD		2-4-07	
59 PLC ±		60 PLC ±		APVD		SA008712	
60 PLC ±		61 PLC ±		APVD		2-4-07	
61 PLC ±		62 PLC ±		APVD		SA008712	
62 PLC ±		63 PLC ±		APVD		2-4-07	
63 PLC ±		64 PLC ±		APVD		SA008712	
64 PLC ±		65 PLC ±		APVD		2-4-07	
65 PLC ±		66 PLC ±		APVD		SA008712	
66 PLC ±		67 PLC ±		APVD		2-4-07	
67 PLC ±		68 PLC ±		APVD		SA008712	
68 PLC ±		69 PLC ±		APVD		2-4-07	
69 PLC ±		70 PLC ±		APVD		SA008712	
70 PLC ±		71 PLC ±		APVD		2-4-07	
71 PLC ±		72 PLC ±		APVD		SA008712	
72 PLC ±		73 PLC ±		APVD		2-4-07	
73 PLC ±		74 PLC ±		APVD		SA008712	
74 PLC ±		75 PLC ±		APVD		2-4-07	
75 PLC ±		76 PLC ±		APVD		SA008712	
76 PLC ±		77 PLC ±		APVD		2-4-07	
77 PLC ±		78 PLC ±		APVD		SA008712	
78 PLC ±		79 PLC ±		APVD		2-4-07	
79 PLC ±		80 PLC ±		APVD		SA008712	
80 PLC ±		81 PLC ±		APVD		2-4-07	
81 PLC ±		82 PLC ±		APVD		SA008712	
82 PLC ±		83 PLC ±		APVD		2-4-07	
83 PLC ±		84 PLC ±		APVD		SA008712	
84 PLC ±		85 PLC ±		APVD		2-4-07	
85 PLC ±		86 PLC ±		APVD		SA008712	
86 PLC ±		87 PLC ±		APVD		2-4-07	
87 PLC ±		88 PLC ±		APVD		SA008712	
88 PLC ±		89 PLC ±		APVD		2-4-07	
89 PLC ±		90 PLC ±		APVD		SA008712	
90 PLC ±		91 PLC ±		APVD		2-4-07	
91 PLC ±		92 PLC ±		APVD		SA008712	
92 PLC ±		93 PLC ±		APVD		2-4-07	
93 PLC ±		94 PLC ±		APVD		SA008712	
94 PLC ±		95 PLC ±		APVD		2-4-07	
95 PLC ±		96 PLC ±		APVD		SA008712	
96 PLC ±		97 PLC ±		APVD		2-4-07	
97 PLC ±		98 PLC ±		APVD		SA008712	
98 PLC ±		99 PLC ±		APVD		2-4-07	
99 PLC ±		100 PLC ±		APVD		SA008712	

2-1634200-6 SHOWN (ON)-OFF-(ON)

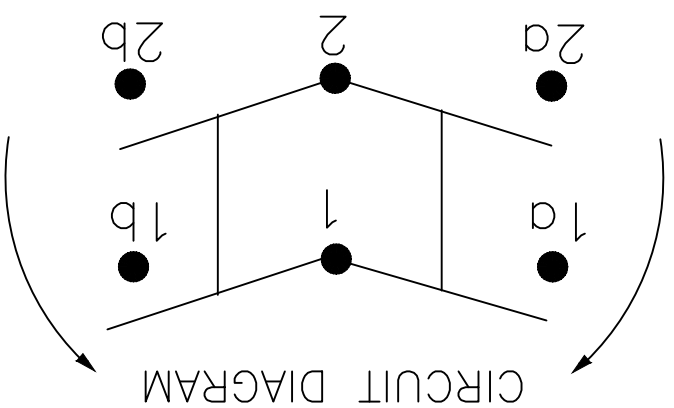
TYCO ELECTRONICS LOGO
PER TEC-202-36



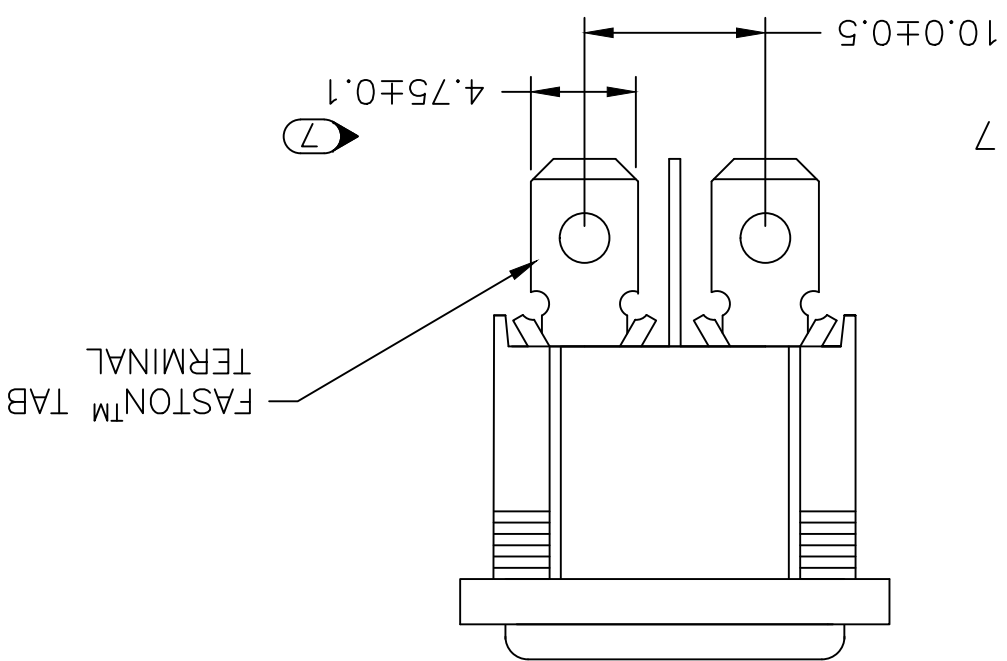
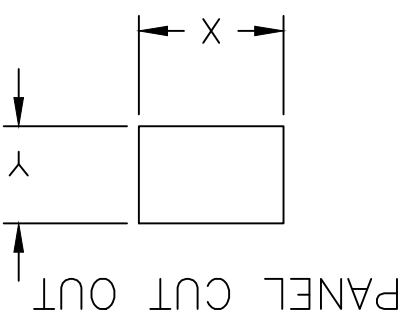
10A 125VAC, 6A 250VAC

PRE

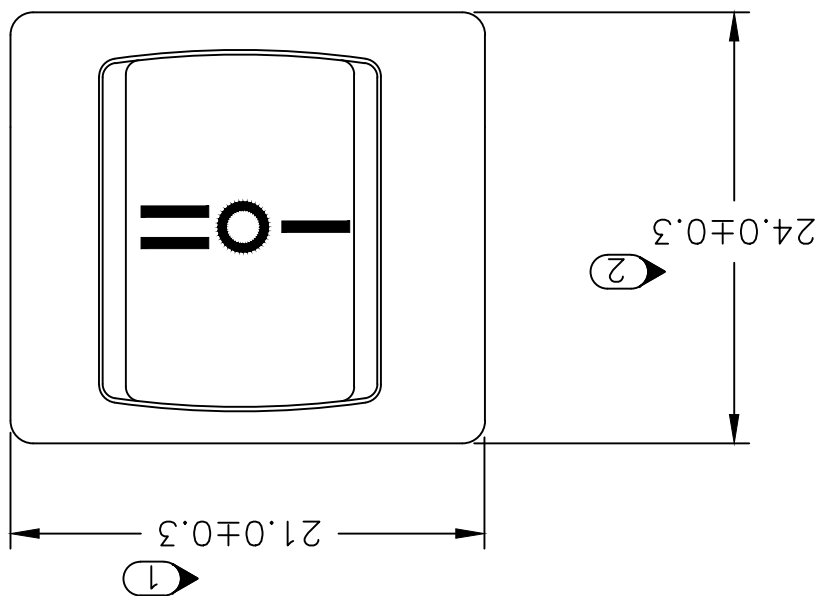
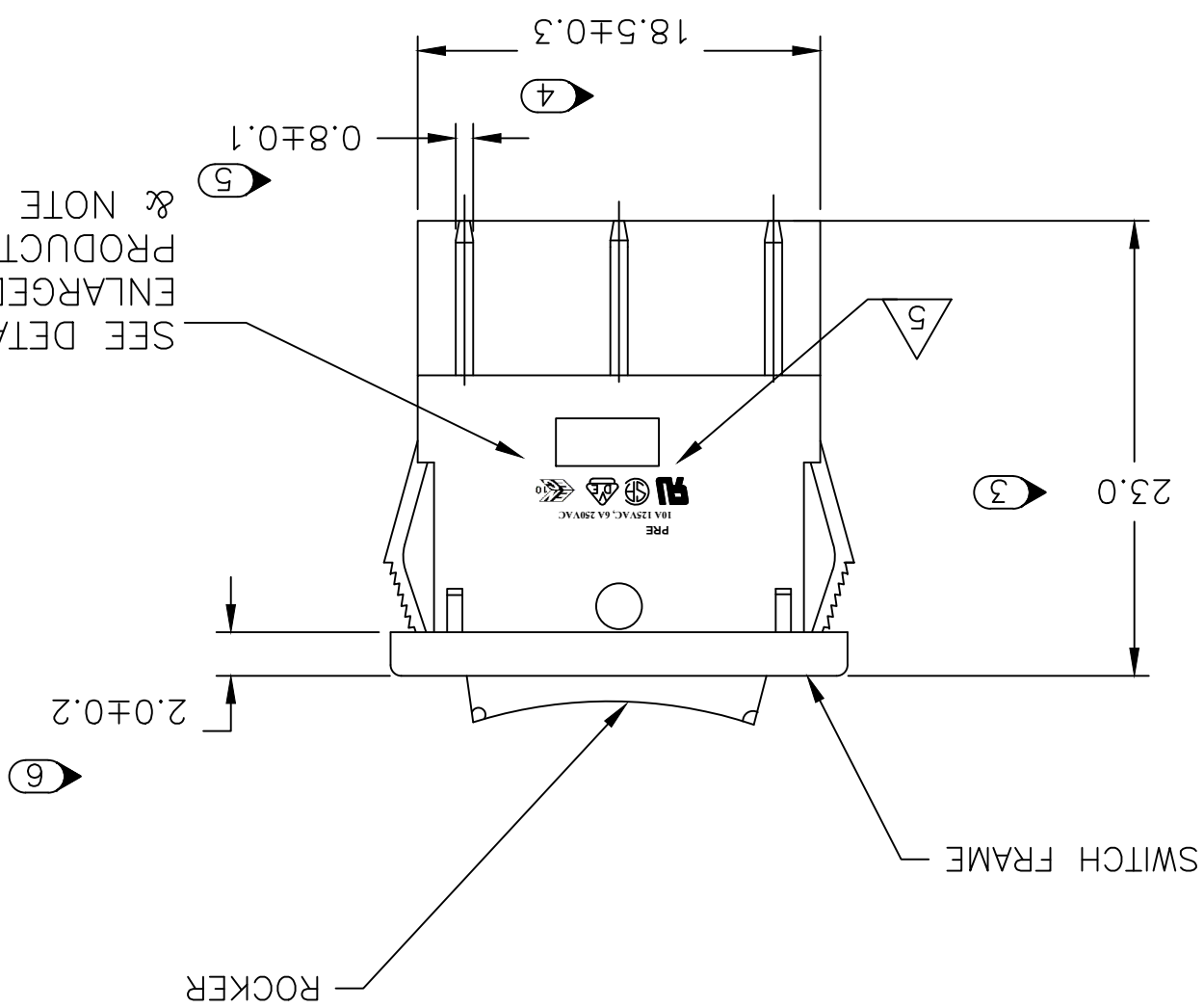
PRODUCT MARKING
DETAIL A



PANEL THICKNESS	X	Y
0.75-1.25	19.40	22.20
1.25-2.00	19.60	22.20
2.00-3.00	20.20	22.20



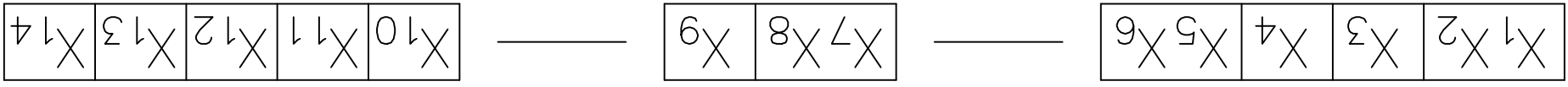
SEE DETAIL A FOR ENLARGED VIEW OF PRODUCT MARKINGS & NOTE 5 ON SHEET 7



REVISIONS	P	LTR	DATE	DMN	APVD
1	-	-	-	-	-

REV	DATE	DESCRIPTION	APVD
-	-	SEE SHEET 1	-
-	-		-

ALCOWITCH PART NUMBER



SWITCH TYPE: X1X2 = PR - POWER ROCKER

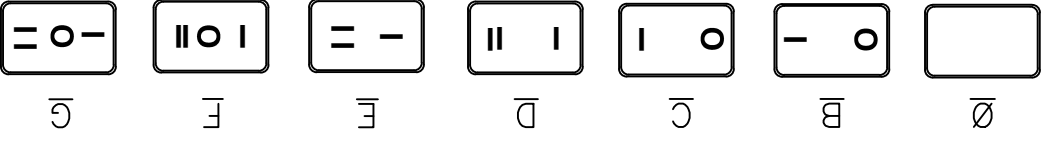
NOMINAL PANEL CUT OUT SIZE: X3 = E - 19.4X22.2 [.764X.874]

NUMBER OF POLES: X4 = D - DOUBLE

SWITCH FUNCTION: X5X6 = A1 - B1 - B2 - B3 - B4 - B5 - B6 - B7 - B8 - B9 - B10 - B11 - B12 - B13 - B14

SECONDARY ROCKER COLOR: X12 = Ø - NOT APPLICABLE
B - BLACK
G - GREEN
R - RED
W - WHITE

LEGEND TEXT PATTERN: X13 =



LEGEND TEXT COLOR: X14 = Ø - NOT APPLICABLE
G - GREEN
R - RED
B - BLACK
W - WHITE

MATERIALS: HOUSING FRAME: NYLON 66. ACTUATOR: NYLON 66/PC(ILLUMINATED) TERMINALS C1100R-1/2H WITH SILVER PLATED CONTACTS AGALLOY

FINISH: TERMINAL, ACTIVE CONTACTOR: 1.0µm [.000039] SILVER PLUNGER: 3.0µm [.000118] NICKEL

ELECTRICAL SPECIFICATIONS: CONTACT RESISTANCE : 50m ohm Max DIELECTRIC STRENGTH : AC 1500V, 1 MINUTE OPERATION TEMPERATURE: -20°C~85°C INSULATION R: DC 500V 100M ohm MIN

CURRENT AND VOLTAGE 10A@125VAC/6A@250VAC

ELECTRICAL RATINGS, APPROVED AGENCY LOGOS, TE LOGO PER TEC-202-36 APPROXIMATELY AS SHOWN AND PART NUMBER CAN APPEAR ON EITHER SIDE (FOR FULL DETAIL SEE INDIVIDUAL DRAWING)

ON-OFF, WITH OPAQUE, SINGLE-COLOR ROCKER BUTTON.

ON-OFF, WITH TRANSPARENT, LAMP-ILLUMINATED ROCKER BUTTON.

ON-ON, WITH OPAQUE, SINGLE-COLOR ROCKER BUTTON.

ON-OFF-ON, WITH OPAQUE, SINGLE-COLOR ROCKER BUTTON.

ON-OFF-(ON), WITH OPAQUE, SINGLE-COLOR ROCKER BUTTON.

(ON)-OFF-(ON), WITH OPAQUE, SINGLE-COLOR ROCKER BUTTON.

REFER TO QIP DIMENSIONAL REPORT

2002/95/EC/(RoHS) COMPLIANT

COMPONENT RECOGNIZED TO EUROPEAN STANDARDS (ENEC, PENDING VDE). MARKS LICENSE No. 40006757

TE PART NUM BER.	ALCOWITCH PART NUM BER.	SHEET REF
1634200-1	PREDA1-07F-BB00	1
1634200-2	PREDA1-07F-BB0W	1
1634200-3	PREDA1-07F-BB0CW	1
1634200-4	PREDA1-07L-BB00	1
1634200-5	PREDA1-07L-BB0BW	1
1634200-6	PREDA1-07L-BB0CW	1
1634200-7	PREDB1-07F-BR00	2
1634200-8	PREDB1-07L-BR00	2
1634200-9	PREDB1-07F-BG00	2
1634200-0	PREDB1-07L-BG00	2
1634200-1	PREDD1-07F-BB0W	3
1634200-2	PREDD1-07F-BB0D	3
1634200-3	PREDD1-07F-BB0EW	3
1634200-4	PREDD1-07L-BB00	3
1634200-5	PREDD1-07L-BB0D	3
1634200-6	PREDD1-07L-BB0EW	3
1634200-7	PREDD3-07F-BB0W	4
1634200-8	PREDD3-07F-BB0GW	4
1634200-9	PREDD3-07L-BB0FW	4
1634200-0	PREDD3-07L-BB0GW	4
1634200-1	PREDD4-07F-BB00	5
1634200-2	PREDD4-07F-BB0FW	5
1634200-3	PREDD4-07F-BB0GW	5
1634200-4	PREDD5-07F-BB00	6
1634200-5	PREDD5-07F-BB0FW	6
1634200-6	PREDD5-07F-BB0GW	6

TE PART NUM BER.	ALCOWITCH PART NUM BER.	SHEET REF
1634200-1	PREDA1-07F-BB00	1
1634200-2	PREDA1-07F-BB0W	1
1634200-3	PREDA1-07F-BB0CW	1
1634200-4	PREDA1-07L-BB00	1
1634200-5	PREDA1-07L-BB0BW	1
1634200-6	PREDA1-07L-BB0CW	1
1634200-7	PREDB1-07F-BR00	2
1634200-8	PREDB1-07L-BR00	2
1634200-9	PREDB1-07F-BG00	2
1634200-0	PREDB1-07L-BG00	2
1634200-1	PREDD1-07F-BB0W	3
1634200-2	PREDD1-07F-BB0D	3
1634200-3	PREDD1-07F-BB0EW	3
1634200-4	PREDD1-07L-BB00	3
1634200-5	PREDD1-07L-BB0D	3
1634200-6	PREDD1-07L-BB0EW	3
1634200-7	PREDD3-07F-BB0W	4
1634200-8	PREDD3-07F-BB0GW	4
1634200-9	PREDD3-07L-BB0FW	4
1634200-0	PREDD3-07L-BB0GW	4
1634200-1	PREDD4-07F-BB00	5
1634200-2	PREDD4-07F-BB0FW	5
1634200-3	PREDD4-07F-BB0GW	5
1634200-4	PREDD5-07F-BB00	6
1634200-5	PREDD5-07F-BB0FW	6
1634200-6	PREDD5-07F-BB0GW	6

THIS DRAWING IS A CONTROLLED DOCUMENT. SA008712 2-4-07

TE Connectivity

POWER ROCKER SWITCH 19.4MM X 22.2mm PANEL SIZE DPST, NON-ILLUMINATED

APVD: -

PRODUCT SPEC: -

APPLICATION SPEC: -

WEIGHT: -

FINISH: 0 PLC ±, 1 PLC ±, 2 PLC ±, 3 PLC ±, 4 PLC ±

TOLERANCES UNLESS OTHERWISE SPECIFIED: -

DIMENSIONS: mm

MATERIAL: -

CUSTOMER DRAWING: SCALE 3:1 SHEET 7 of 7 REV E1

A

B

C

D

A

B

C

D

X-ON Electronics

Largest Supplier of Electrical and Electronic Components

Click to view similar products for [Rocker Switches](#) category:

Click to view products by [TE Connectivity](#) manufacturer:

Other Similar products are found below :

[VKD2GHNB-00000-000](#) [VSD2GNNB-00000-000](#) [6-1571986-5](#) [6-1571986-9](#) [632422-4B-KD](#) [7036WWCDBX653+U622](#) [8055K52Z7V](#)
[8138K20E6M50](#) [FMC18A2200002](#) [84206L](#) [84312LX](#) [PREDD4-07F-BB0FW](#) [PREDD5-07F-BB0GW](#) [PRFDD1-16F-BB000](#) [PRFDD3-16F-](#)
[BB000](#) [1-1634201-0](#) [999-16702-001](#) [A101J2ZQ004](#) [A101J4ZQ004](#) [A101J51CB0004](#) [A107J51ZQ0004](#) [A201J1AQ004](#) [A201J1AV2Q004](#)
[A201J3ZB004](#) [A201J50ZQ004](#) [A203J51ZQ0004](#) [A226L11YZQ](#) [A22L11A](#) [A435S1YZQ](#) [H8500XBBBBL-A](#) [H8653VBBG2577W](#)
[HB130CHNWWNAAC](#) [1251.0303](#) [AE205J60V3B004](#) [RH110C2NBB](#) [1352.0107](#) [1363.0201](#) [AML25GBF2AA03GR](#) [1571099-3](#) [1571987-4](#)
[1571987-5](#) [1571989-7](#) [B123J77V7B2](#) [B226J50W4Q22P](#) [B433J37ZQ22M](#) [160212E](#) [1801.1164](#) [1831.1102](#) [1833.3402](#) [1837.1118](#)