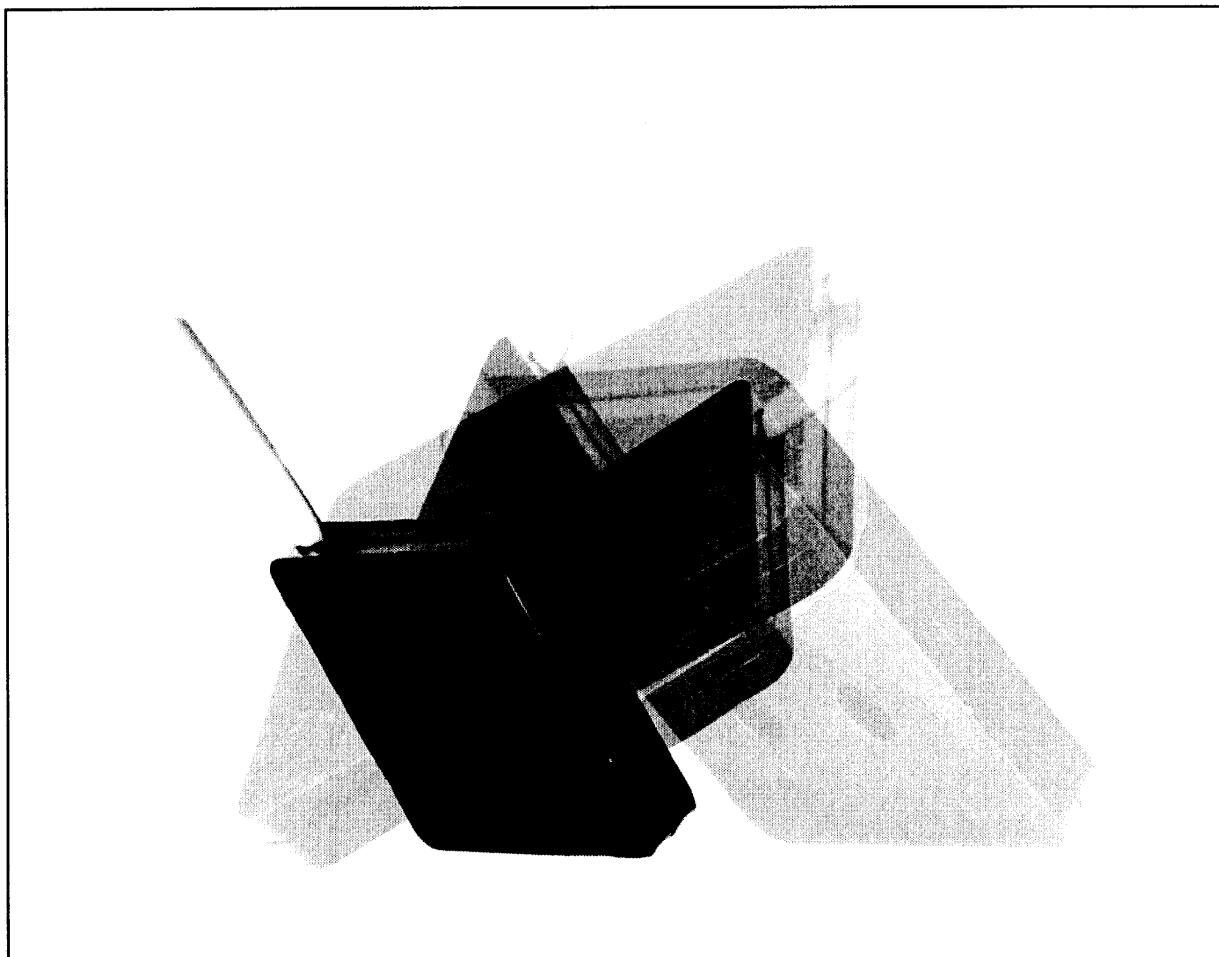




## TECHNICAL SPECIFICATION SHEET

**Switches:** Tilt Switch Assemblies**Special Features**

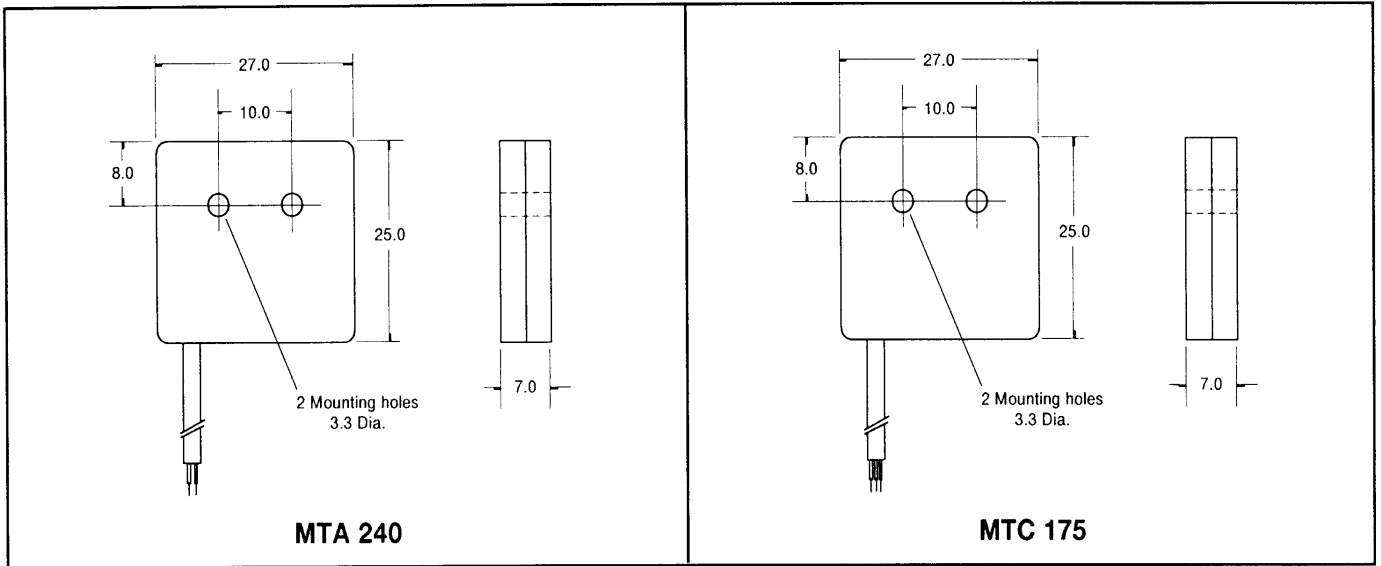
- Sealed contacts
- Reliable switching
- Long life
- Non-toxic

**Applications**

- Safety systems
- Limit and position sensing
- Level sensing
- Security systems

This range of tilt switches offers the reliability of hermetically sealed reed switch contacts. The contacts will switch up to the maximum rating without the contact bounce/load problems normally associated with non-mercury tilt switches.

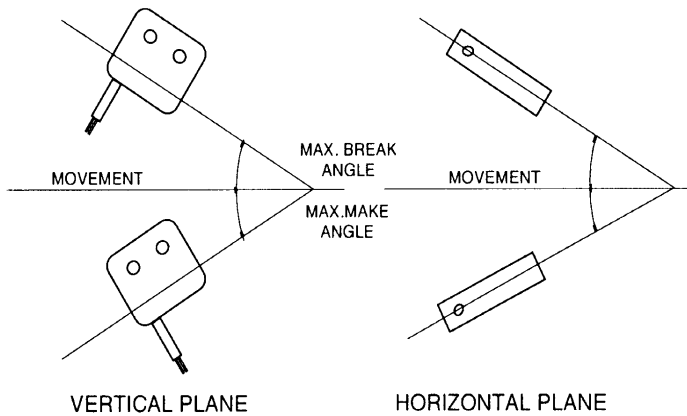
A full custom design service is available on this product range.



PART NUMBER		MTA 240	MTC 175
Switching Voltage	Max. Vac	240	175
Switching current	Max. A	0.50	0.25
Switching capacity	Max. VA	10	5
Contact resistance	Max. mΩ	150	150
Differential angle	Max. Deg. °C	90	120
Operating temperature	Deg. °C	-20° + 70°	-20° + 70°
Storage temperature	Deg. °C	-20° + 70°	-20° + 70°
Case material		ABS	ABS
Mechanical life	Min.	10 <sup>5</sup>	10 <sup>5</sup>
Terminations		<p>2 x round 0.14mm<sup>2</sup> PVC covered and insulated</p>	<p>3 x round 0.14mm<sup>2</sup> PVC covered and insulated</p> <p>Cable identification            White: Common            Brown: Normally closed            Green: Normally open</p>

SWITCH OPERATION - Switches will operate in horizontal and vertical planes

A Sense-Rite product  
Distributed by Assemtech Europe Limited



	Max. Break angle	Max. Make angle
MTA 240	45°	45°
MTC 175	75°	45°

These switches are sensitive to magnetic fields and ferrous materials.  
Care should be taken when housing. Switches should not be fitted to ferrous materials.

006/1295 ISS 1

As part of our company policy of continued product improvement, specifications may change without notice. Please contact sales office for latest information.



Part of the

For further details contact:

**ASSEMTECH EUROPE LIMITED**

Rice Bridge Industrial Estate

Thorpe-le-Soken, Essex, England CO16 0HH

Telephone: 01255 862236 / 862001 Fax: 01255 862014



BS5750/ISO 9002  
Reg. No. FM/24080

## **X-ON Electronics**

Largest Supplier of Electrical and Electronic Components

*Click to view similar products for [comus](#) manufacturer:*

Other Similar products are found below :

[WGA56D25Z](#) [WG660D110Z](#) [WG280A25Z](#) [PGN-SP-003](#) [WG660D10Z](#) [WGA316D25R](#) [WG660D90Z](#) [S1456](#) [S1366](#) [S1355](#) [WGA316D45R](#)  
[3570.1331.121](#) [WG280D90Z](#) [WGA312D25Z](#) [WG280D10R](#) [3572.1220.051](#) [WG660D125Z](#) [WGA56A10Z](#) [CTC 012](#) [CTI 302](#)  
[RF3002A/HFS30](#) [WG280D90R](#) [WG280A10Z](#) [WGA012D25](#) [WG660D25Z](#) [MS24](#) [PPS24](#) [3570.1411.053](#) [WG280D45R](#) [VFS30](#)  
[WG480D75Z](#) [WG660D75Z](#) [WGA56D25R](#) [PGN-SP-002](#) [WGA56D40Z](#) [WG660D50Z](#) [WG280D50Z](#) [WGA56A25Z](#) [WG280D75Z](#) [PSM](#)  
[S1747](#) [WG480D90Z](#) [WG480D40Z](#) [WG280A45Z](#) [MMPSA 240/30 LH](#) [PSSM](#) [MPSM](#) [3563.1231.053](#) [WGA56D10Z](#) [WG280D45Z](#)