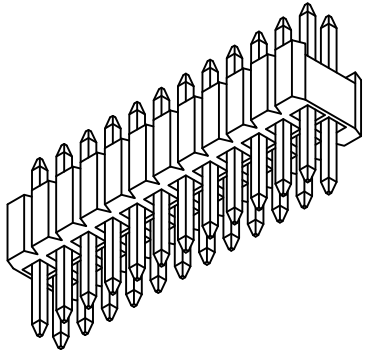
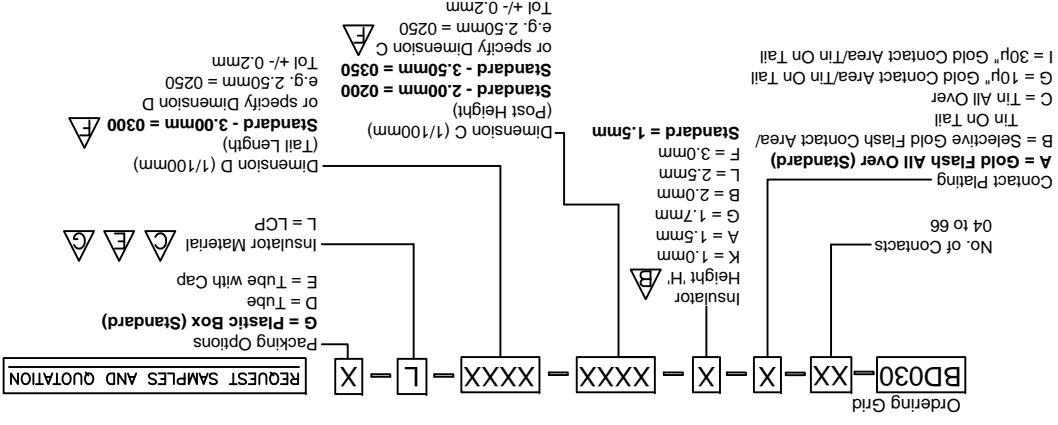


SPECIFICATIONS:
 CURRENT RATING 电流额定值: 1 AMP
 INSULATOR RESISTANCE 绝缘电阻值: 1000 MEGOHMS MIN.
 DIELECTRIC WITHSTANDING 耐电压: AC 300 V
 CONTACT RESISTANCE 接触电阻值: 20mΩ Max
 OPERATING TEMPERATURE 工作温度: -40°C TO +105°C
 CONTACT MATERIAL 端子物料: COPPER ALLOY
 INSULATOR MATERIAL 绝缘体物料:
 POLYESTER 聚酯, LCP, UL 94-V0
 SOLDERING PROCESS 可焊性:
 IR REFLOW 回流焊: 260°C for 10 sec.
 WAVE SOLDER 人工焊接: 350°C for 3-5 sec
 MANUAL SOLDER 人工焊接: 250°C for 5-10 sec
 MATES WITH 配套之母座 (SUBJECT TO PIN LENGTH 在端子长度适合的条件下):
 BD065 BD067
 BD050 BD055 BD057
 BD091 BD092
 BD064 BD093



CONTACTS		DIMENSION	
A	B	A	B
4	1.27	2.54	2.54
6	2.54	3.81	3.81
8	3.81	5.08	5.08
10	5.08	6.35	6.35
12	6.35	7.62	7.62
14	7.62	8.89	8.89
16	8.89	10.16	10.16
18	10.16	11.43	11.43
20	11.43	12.70	12.70
22	12.70	13.97	13.97
24	13.97	15.24	15.24
26	15.24	16.51	16.51
28	16.51	17.78	17.78
30	17.78	19.05	19.05
32	19.05	20.32	20.32
34	20.32	21.59	21.59
36	21.59	22.86	22.86
38	22.86	24.13	24.13
40	24.13	25.40	25.40
42	25.40	26.67	26.67
44	26.67	27.94	27.94
46	27.94	29.21	29.21
48	29.21	30.48	30.48
50	30.48	31.75	31.75
52	31.75	33.02	33.02
54	33.02	34.29	34.29
56	34.29	35.56	35.56
58	35.56	36.83	36.83
60	36.83	38.10	38.10
62	38.10	39.37	39.37
64	39.37	40.64	40.64
66	40.64	41.91	41.91

REQUEST SAMPLES AND QUOTATION

DATE	REV	DETAIL	By
21/12/07	A	DRAWING RELEASE	VJ
17/04/09	B	ORDER GRID AMENDMENT	PN
27/04/09	C	STANDARD INSULATOR MATERIAL CHANGED	PN
27/07/09	D	SOLDER TEMP & MATES WITH INFO. UPDATED	AE
07/08/09	E	INSULATOR MATERIAL INSULATOR HEIGHTS	AE
08/12/09	F	AMENDMENT TO STANDARD DIMENSIONS	SA
06/07/12	G	INSULATOR MATERIAL AMENDMENT TO INSULATOR MATERIAL	AJO

Scale	Revision	Material	Drawn by	E & OE	Sheet No.
7	G	See Note	VJ		8

THIS DRAWING IS CONFIDENTIAL AND MUST NOT BE COPIED OR DISCLOSED WITHOUT WRITTEN CONSENT

www.globalconnectortech.com

GCT

Part Number:-
 Date:-
 21 DEC 07
 BD030

Description:-
 1.27mm PITCH PIN HEADER, DUAL ROW,
 THROUGH HOLE, VERTICAL

Dimensions in mm (Except as noted):
 X: ±0.30 X: ±0.50
 X: XX ± 0.15 X: XX ± 0.50
 X: XXX ± 0.10 X: XXX ± 0.50
 Third Angle Projection

Tolerances
 Part Number:-
 Date:-
 21 DEC 07
 BD030

Description:-
 1.27mm PITCH PIN HEADER, DUAL ROW,
 THROUGH HOLE, VERTICAL

Dimensions in mm (Except as noted):
 X: ±0.30 X: ±0.50
 X: XX ± 0.15 X: XX ± 0.50
 X: XXX ± 0.10 X: XXX ± 0.50
 Third Angle Projection

Tolerances
 Part Number:-
 Date:-
 21 DEC 07
 BD030

Description:-
 1.27mm PITCH PIN HEADER, DUAL ROW,
 THROUGH HOLE, VERTICAL

Dimensions in mm (Except as noted):
 X: ±0.30 X: ±0.50
 X: XX ± 0.15 X: XX ± 0.50
 X: XXX ± 0.10 X: XXX ± 0.50
 Third Angle Projection

Tolerances
 Part Number:-
 Date:-
 21 DEC 07
 BD030

X-ON Electronics

Largest Supplier of Electrical and Electronic Components

Click to view similar products for [FFC & FPC Connectors](#) category:

Click to view products by [GCT](#) manufacturer:

Other Similar products are found below :

[HFW11R-1STE1H1LF](#) [FH29B-100S-0.2SHW\(99\)](#) [FA5S008HP1](#) [FH29B-120S-0.2SHW\(99\)](#) [FH29B-80S-0.2SHW\(99\)](#) [FHS-16](#) [FPH-2022G](#)
[52610-1075](#) [52610-1275](#) [52610-1934](#) [XF3M\(1\)-1415-1B-R100](#) [501864-3091-TR225](#) [0525594033](#) [086210010340800](#) [086222026001800](#)
[52271-2869-CUT-TAPE](#) [62674-201121DLF](#) [62684-36210E9ALF](#) [52610-1675](#) [52746-1671-TR250](#) [10051922-2810EHLF](#) [6-520415-9](#)
[BD021-09A-A1-0350-0200-0550-LD](#) [SFV6R-1STE9HLF](#) [XF3M-2915-1B-R100](#) [1658549-1](#) [62674-221121ALF](#) [46214008010800](#)
[046298003000883](#) [151660622](#) [842-816-2630-035](#) [AYF530665TA](#) [AYF351525](#) [046296011930846+](#) [AYF352325A](#) [046254020000800+](#)
[FH19C-13S-0.5SH\(99\)](#) [FH39J-51S-0.3SHW\(99\)](#) [AYF355125A](#) [AYF530365TA](#) [FH29B-44S-0.2SHW\(99\)](#) [SFW5R-2STAE9LF](#) [AYF351125A](#)
[AYF350725A](#) [62684-502100AHLF](#) [FH39-61S-0.3SHW\(99\)](#) [AYF414035A](#) [10064555-172520HLF](#) [AYF212335A](#) [504754-2500](#)