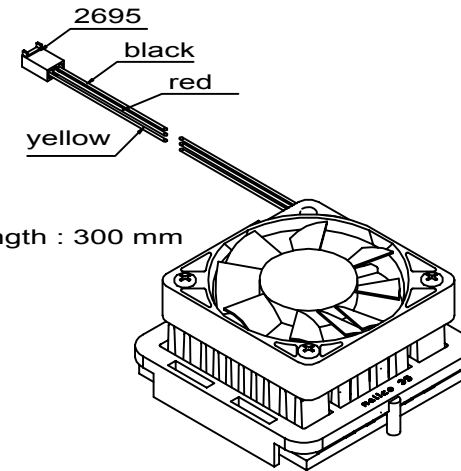
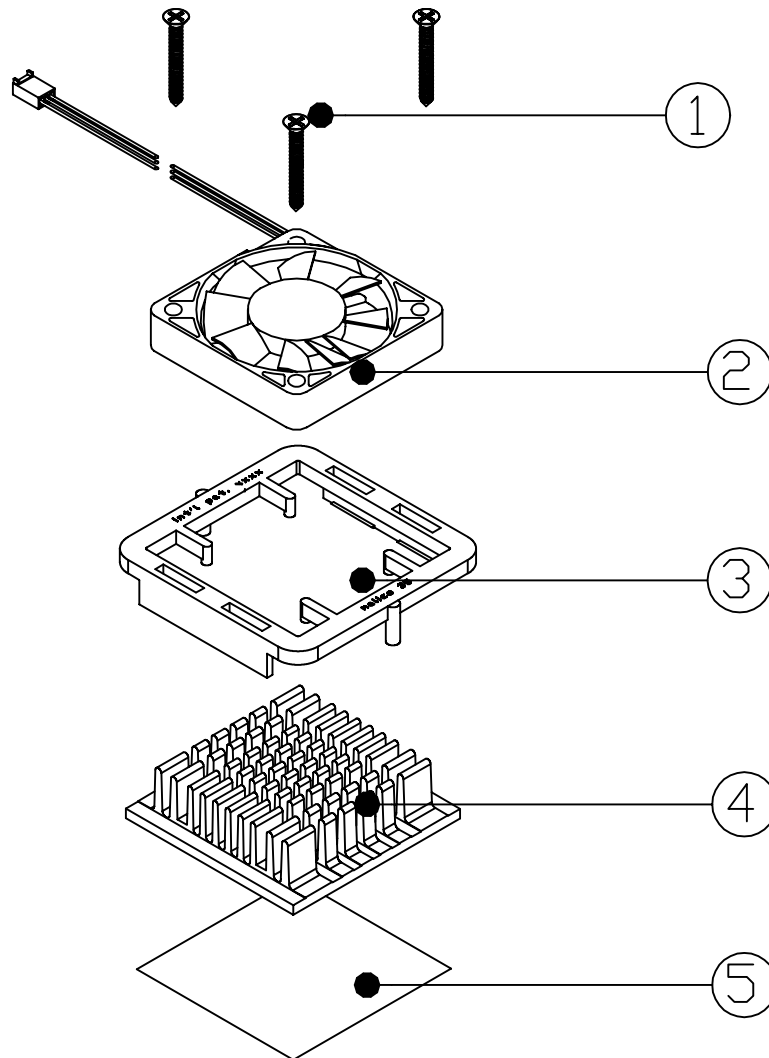


Rev.	Description	Date	Checked
A	new release	07.26.2007	Wen
B	changed screw DIM.	01.21.2010	Wen

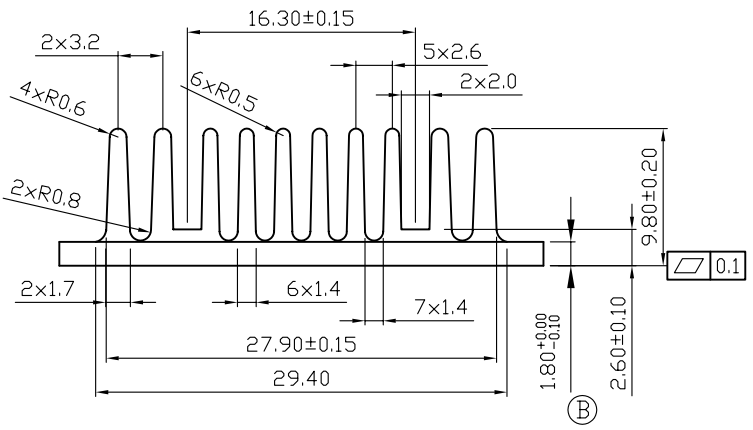
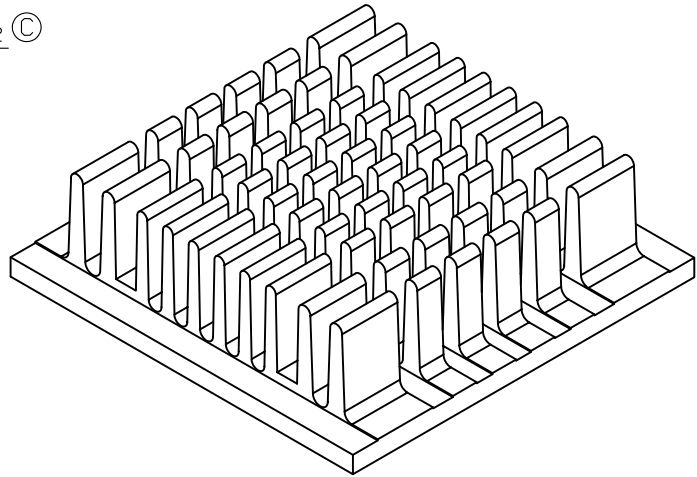
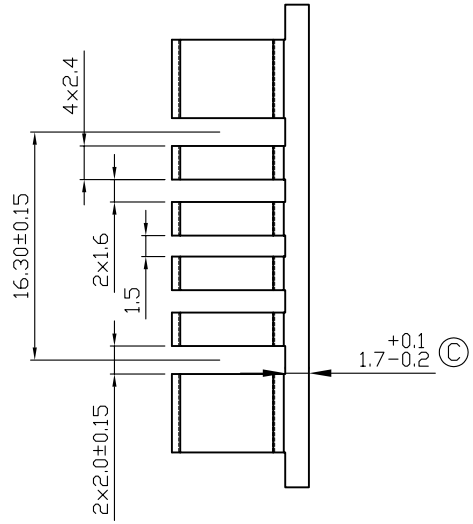
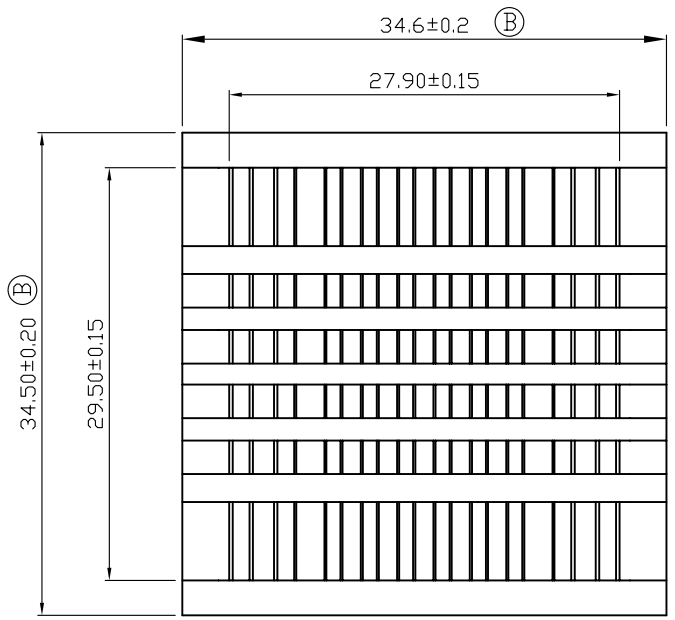


Notes:


Item	Description	Dimension (mm)	Material	Finish / Color	Qty
1	F001-00181	P2.0 x 14L	steel	black	3
2	DFANSU30300604-00	30 x 30 x 6.9	plastic	black	1
3	DCLIP037370601-00	37.2 x 37.2 x 6.45	plastic	black	1
4	BBGA0135351011-07	34.6 x 34.5 x 9.8	AL 6063	black anodize	1
5	F002-00085	33 x 33 x 0.13	T710		1

Finish: see notes	<h1>Malico Inc.</h1>			
Material: see notes				
Date: 01.21.2010	Approved: Sammy	Checked: Audi	Drawn: Wen	Rev.: B
Title: assembly	Model no. : CEBF0135351602-00 (EBF35001-16BK+T710)			

REV	ALTERATION	DATE	CHECKED
A	NEWRELEASE	08.15.2000	
B	Changed Dimension and Tolerance	10.23.2001	VIVIAN
C	Changed Dimension and Tolerance	12.15.2003	KEN

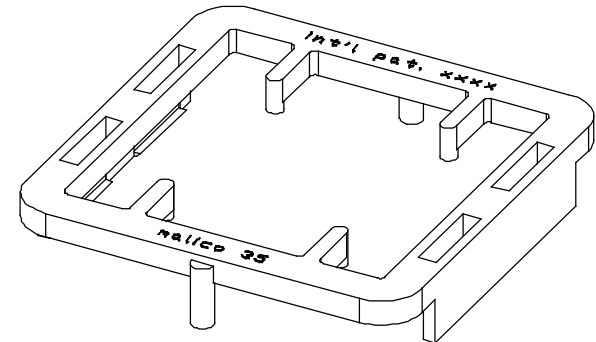
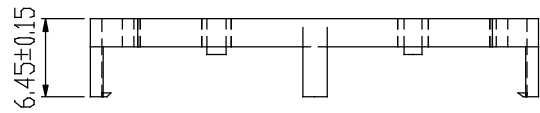
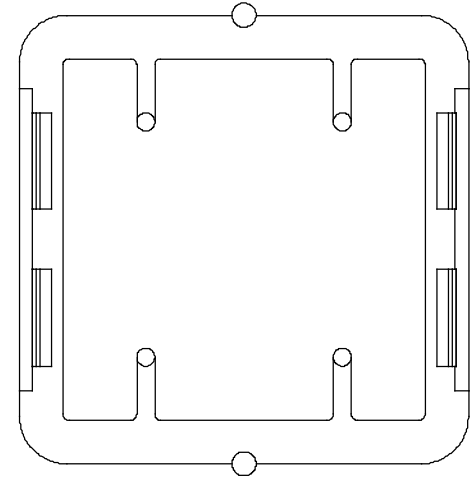
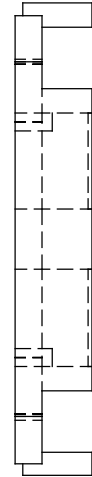
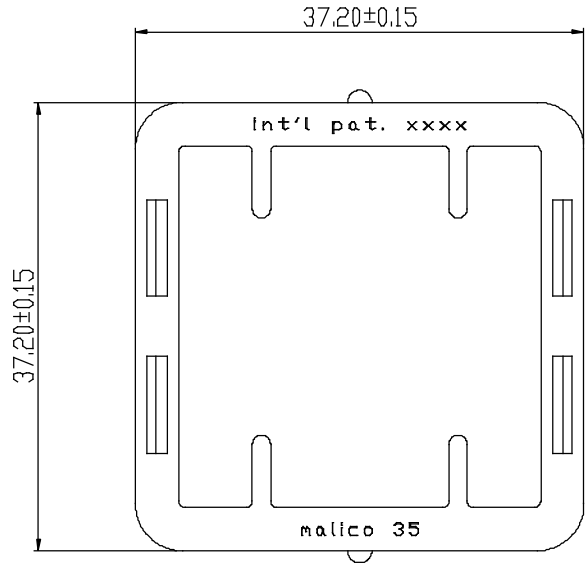


UNIT: MM	
TOLERANCE TABLE	
X.	=±0.30
X.X	=±0.20
X.XX	=±0.10

FINISH: BLACK ANODIZE	 MALICO INC.			
MATERIAL: 6063-T5	APPROVED: Jimmy	CHECKED: Audi	DRAWN: Vivian	REV: C
DATE: 10.23.2001	MODEL NO: BBGA0135351011-07			
TITLE: HEAT SINK	(EBH35001-10)			


* IS CRITICAL DIM WHICH MUST BE INSPECTION BY EACH SHIPMENT.

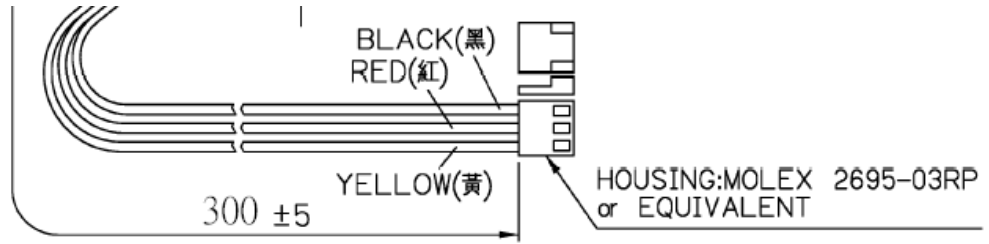
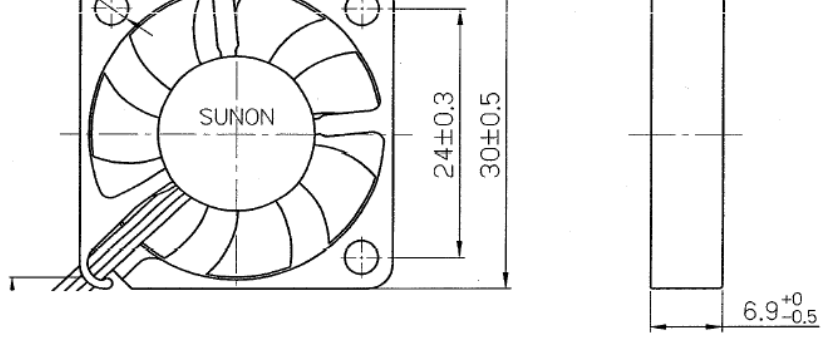
REV	ALTERATION	DATE	Checked
A	NEWRELEASE	01.13.2000	
B	CHANGED DIMENSION FROM 35.2±0.3 TO 35.0±0.2	09.13.2001	
C	1.CHANGED DIMENSION FROM 2.0 TO 2.3 2.CHANGED DIMENSION FROM 0.45 TO 0.6 3.CHANGED DIMENSION FROM 0.65 TO 0.85	09.21.2001	
D	CHANGED DIMENSION FROM 22.0 TO 25.0	10.05.2001	
E	CHANGED TOLERANCE	01.20.2002	
F	CHANGED TOLERANCE	10.03.2002	NO NO
G	ADDING PATENT DESCRIPTION	03.16.2005	Nicole
H	1.CHANGED TOLERANCE FROM 0.65±0.1 TO 0.65±0.08 2.CHANGED TOLERANCE FROM 35±0.15 TO 35±0.15/-0.05	11.16.2005	Nicole



UNIT:	MM
TOLERANCE TABLE	
X.	±0.30
X.X	±0.20
X.XX	±0.10
ANGLE	±1°

* IS CRITICAL DIM WHICH MUST BE INSPECTION BY EACH SHIPMENT.

FINISH:	BLACK	 MALICO INC.			
MATERIAL:	PLASTIC	APPROVED:	CHECKED:	DRAWN:	REV:
DATE:	11.16.2005	Jimmy	Audi	NO NO	H
TITLE:	CLIP	MODEL NO:	DCLIP037370601-00 (BCP37-06(35))		



X-ON Electronics

Largest Supplier of Electrical and Electronic Components

Click to view similar products for [CPU & Chip Coolers](#) category:

Click to view products by [Malico](#) manufacturer:

Other Similar products are found below :

[109X9112PT0H016](#) [FR2UFAN60HSW](#) [LGA1156 2U Cooler](#) [1960058073N001](#) [19FFD124010HB2A7-000001-RS](#) [109X6512A2016](#)
[CEBF0127271803-00](#) [FHS-A9025S20](#) [109X9212PT0H016](#) [1960048820N001](#) [BXSTS200PNRW 915971](#) [AP0512MX-J90-4P-TA-LF](#) [CF-1150SE-R11](#) [1750000282](#) [AmITX-BT TM-FAN-ETT](#) [1960049408N001](#) [CF-775A-RS](#) [1960055362N011](#) [1960053065N001](#)
[1960047831N001](#) [1960047670N001](#) [1960047669N001](#) [1750001660](#) [conga-IA5/CSP](#) [conga-B7XD/CSA-HP-T](#) [UPS-APL01-COOLER-A01](#)
[EP-FNUPACTCLRDC](#) [CF1-0816-0400-0816A](#) [5078C111200E](#) [664-P4505MX-G90-LF](#) [890SP-01000-A-100](#) [890SP-02000-A-100](#) [890SP-03000-A-100](#) [890SP-01500-A-100](#) [890SP-02500-A-100](#) [109X7612H1126](#) [AP0412MX-J70-LF](#) [AP0505HX-J90-4P-TA-LF](#) [AP4512HX-J90-4P-TA-LF](#) [CC001](#) [CF2-0816-0805-1500NA](#) [conga-PA5/i-CSP-T](#) [FHE353526T710T](#) [FHS-K8020S00](#) [EP-FNDCACTCLUPS](#) [SK 570 25 SA](#)
[ICK LED R 40 X 27](#) [BXSTS200C 915970](#) [BXSTS200P 915972](#) [LA 27 K 75 ME 12 V](#)