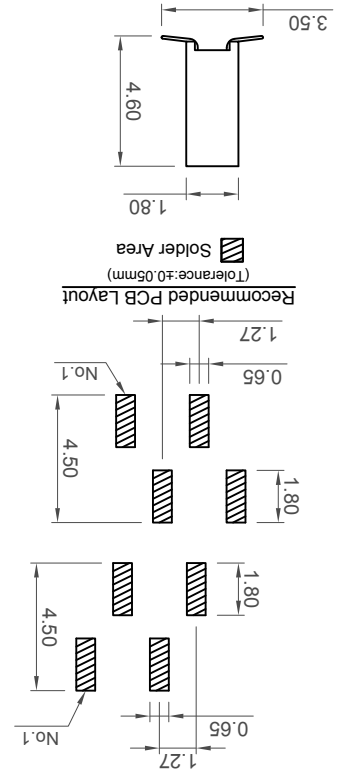
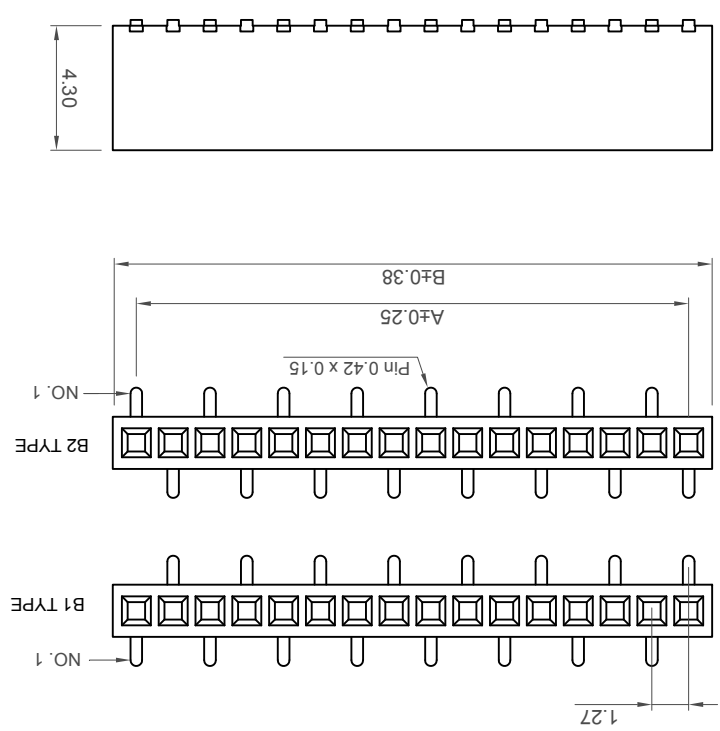


Specifications 规格:

Current Rating 电流额定值: 1 amp
 Insulator Resistance 绝缘电阻值: 1000 MΩ min.
 Dielectric Withstanding 耐电压: AC 300 V
 Contact Resistance 接触电阻值: 20mΩ max.
 Operating Temperature 工作温度: -40°C to +105°C
 Contact Material 端子物料: Copper Alloy
 Insulator Material 绝缘体物料:
 Polyester 聚酯, LCP, UL 94 V-0
 Soldering Process 可焊性: LCP -
 IR Reflow 回流焊: 260°C for 10 sec.
 Wave 波峰焊: 250°C for 5-10 sec
 Manual Solder 人工焊接: 350°C for 3-5 sec
 Mates with 配套之母座 (subject to pin length 在端子长度适合的条件下):
 BD021 BD045 BD100 BD105 BD110



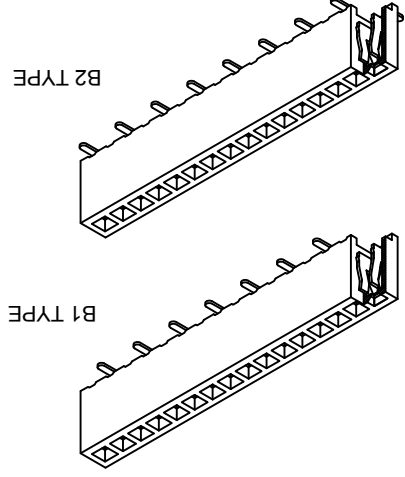
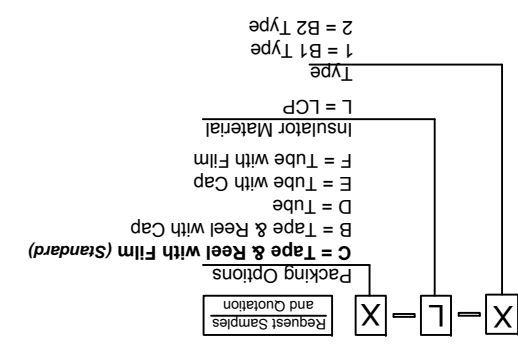
Ordering Grid

BD075 - XX - X - L - X - X - X

No. of Contacts 02 to 40

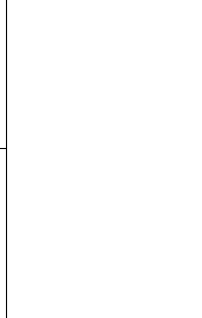
Contact Plating

A = Gold Flash All Over (Standard)
 B = Selective Gold Flash Contact Area/
 Tin On Tail
 C = Tin All Over
 G = 10µ" Gold Contact Area/Tin On Tail
 I = 30µ" Gold Contact Area/Tin On Tail



Part Number	BD075
Drawing Date	28th December 2007
Product Description	1.27mm Pitch Socket, Single Row, Surface Mount, Top Entry
Date	08/09/14
Revision	G
Detail	BD075
By	AJO
Tolerances (Except as Noted)	X ± 0.30 X.X ± 0.15 X.XXX ± 0.10
Length	X.X ± 0.15 X.XX ± 0.10 X.XXX ± 0.05
Angle	X ° ± 5° X ° ± 2° X ° ± 1°
Units:	Metric (mm)
Third Angle Projection	
ROHS COMPLIANT	
Decade	
Copyright of Global Connector Technology, Ltd (GCT). This drawing is confidential and or disclosed without written consent. E & OE	
Not to Scale	
Drawn By	LYH
Sheet No.	1/1

CONTACTS		DIMENSIONS	
A	B	A	B
2	2.89	4.16	4.16
3	2.54	3.81	5.43
4	3.81	5.08	6.70
5	5.08	6.35	7.97
6	6.35	7.62	9.24
7	7.62	8.89	10.51
8	8.89	10.16	11.78
9	10.16	11.43	13.05
10	11.43	12.70	14.32
11	12.70	13.97	15.59
12	13.97	15.24	16.86
13	15.24	16.51	18.13
14	16.51	17.78	19.40
15	17.78	19.05	20.67
16	19.05	20.32	21.94
17	20.32	21.59	23.21
18	21.59	22.86	24.48
19	22.86	24.13	25.75
20	24.13	25.40	27.02
21	25.40	26.67	28.29
22	26.67	27.94	29.56
23	27.94	29.21	30.83
24	29.21	30.48	32.10
25	30.48	31.75	33.37
26	31.75	33.02	34.64
27	33.02	34.29	35.91
28	34.29	35.56	37.18
29	35.56	36.83	38.45
30	36.83	38.10	39.72
31	38.10	39.37	40.99
32	39.37	40.64	42.26
33	40.64	41.91	43.53
34	41.91	43.18	44.80
35	43.18	44.45	46.07
36	44.45	45.72	47.34
37	45.72	46.99	48.61
38	46.99	48.26	49.88
39	48.26	49.53	51.15
40	49.53		



X-ON Electronics

Largest Supplier of Electrical and Electronic Components

Click to view similar products for [FFC & FPC Connectors](#) category:

Click to view products by [GCT](#) manufacturer:

Other Similar products are found below :

[HFW11R-1STE1H1LF](#) [FH29B-100S-0.2SHW\(99\)](#) [FA5S008HP1](#) [FH29B-120S-0.2SHW\(99\)](#) [FH29B-80S-0.2SHW\(99\)](#) [FHS-16](#) [FPH-2022G](#)
[52610-1075](#) [52610-1275](#) [52610-1934](#) [XF3M\(1\)-1415-1B-R100](#) [501864-3091-TR225](#) [0525594033](#) [086210010340800](#) [086222026001800](#)
[52271-2869-CUT-TAPE](#) [62674-201121DLF](#) [62684-36210E9ALF](#) [52610-1675](#) [52746-1671-TR250](#) [10051922-2810EHLF](#) [6-520415-9](#)
[BD021-09A-A1-0350-0200-0550-LD](#) [SFV6R-1STE9HLF](#) [XF3M-2915-1B-R100](#) [1658549-1](#) [62674-221121ALF](#) [46214008010800](#)
[046298003000883](#) [151660622](#) [842-816-2630-035](#) [AYF530665TA](#) [AYF351525](#) [046296011930846+](#) [AYF352325A](#) [046254020000800+](#)
[FH19C-13S-0.5SH\(99\)](#) [FH39J-51S-0.3SHW\(99\)](#) [AYF355125A](#) [AYF530365TA](#) [FH29B-44S-0.2SHW\(99\)](#) [SFW5R-2STAE9LF](#) [AYF351125A](#)
[AYF350725A](#) [62684-502100AHLF](#) [FH39-61S-0.3SHW\(99\)](#) [AYF414035A](#) [10064555-172520HLF](#) [AYF212335A](#) [504754-2500](#)