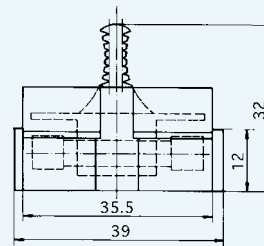
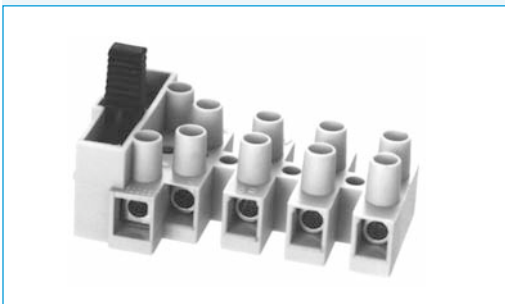
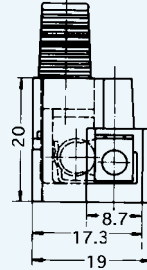


Number of poles x 10mm



TECHNICAL DATA

Mouldings:	Nylon 6.6, grey, UL94 V2, (fuseholder black)
Inserts:	Tinned brass
Fuse contacts:	Stainless steel
Screws:	M3.5 x 7, steel, zinc plated and yellow chromated
Wire protectors:	Stainless steel
Maximum working temp:	100°C continuous
Current rating:	16 amp to EN60335-1
Voltage rating:	Terminal block - 500V Fuseholder - 250V
Conductor size:	
Without wire protector:	Up to 10mm ²
With wire protector :	Up to 4mm ²
Fuse size:	1' x 1/4' or 1.1/4' x 1/4"
Fixing centres:	Peg to earth screw - 18mm Peg to fixing hole - 24mm

OPTIONS

Marking: special printing available. Please provide sketch.

Fuses: see catalogue 2 section I for details

High Temperature: details upon request.

FEATURES

Series 1003SI fused terminal blocks are available in unearthed versions from 1 to 5 pole and earthed versions from 3 to 5 pole. A common dovetail enables mixed assemblies to be constructed by clipping on additional 1 pole lengths to provide multiple versions of fused and unfused terminals. All variations can be supplied with or without wire protectors.

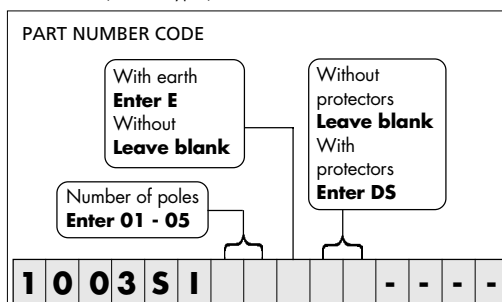
Earth Screws & Washers (Optional)

Screws: 1003SIES - M3.5x12, Posi

Washers: 1003SITW - M3.5

APPROVALS

Ⓢ ⚡ (Not "E" types)



SECTION 1D

FUSED TERMINAL BLOCKS



01273 431600



01273 439288



sales@metway.co.uk

X-ON Electronics

Largest Supplier of Electrical and Electronic Components

Click to view similar products for [metway](#) manufacturer:

Other Similar products are found below :

[560-K4CF](#) [503SI03E](#) [98001RZ03SKB](#) [5001235](#) [1003SI03E](#)