

MATERIALS AND FINISHES

BODY, PRESS RING: BRASS
PLATED NICKEL

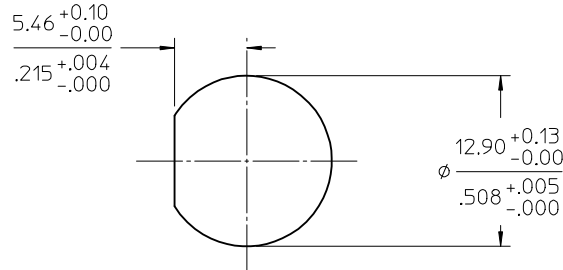
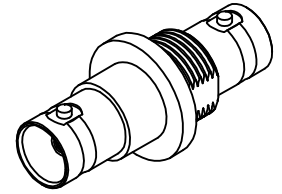
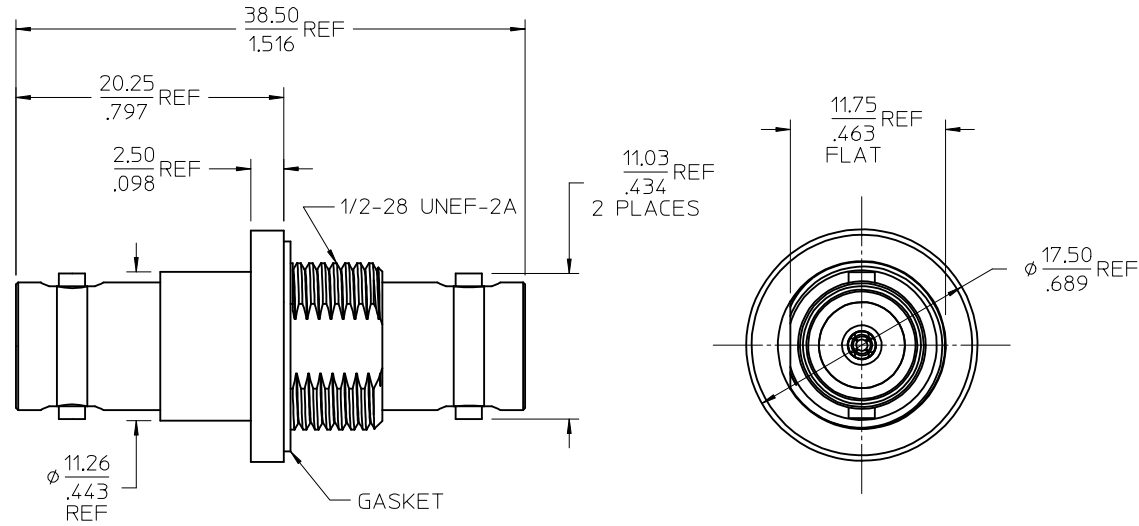
CENTER CONTACT: PHOSPHOR BRONZE
PLATED GOLD

INSULATOR: TEFLON

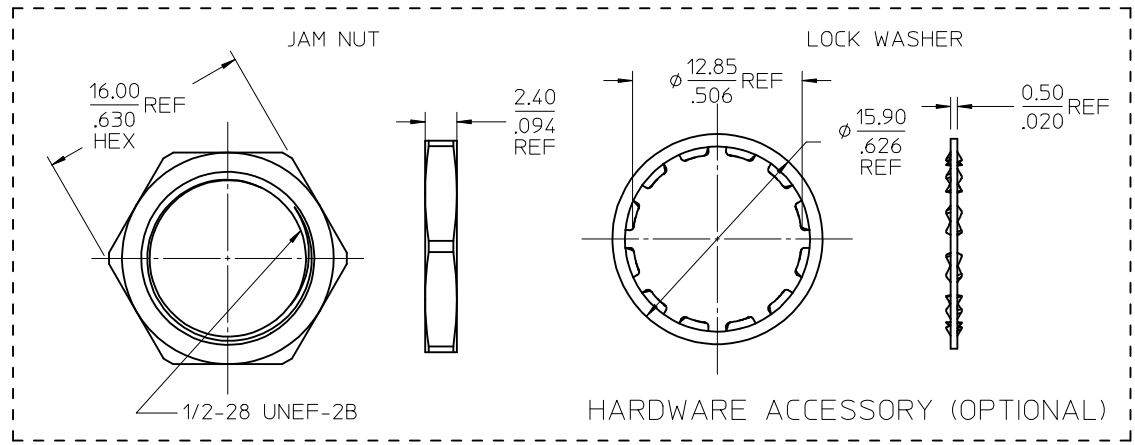
JAM NUT: BRASS
PLATED NICKEL (SEE TABLE)

LOCK WASHER: PHOSPHOR BRONZE
PLATED NICKEL (SEE TABLE)

GASKET: SILICONE RUBBER



RECOMMENDED MOUNTING HOLE



73412-0033	W/O NUT AND WASHER; PACKAGING: ONE PER BAG
73412-0032	W/ NUT AND WASHER; PACKAGING: ONE PER BAG
73412-0030	W/ NUT AND WASHER; PACKAGING: BY TRAY
PART NO.	DESCRIPTION

RoHS COMPLIANT

PS-89675-1020	PRODUCT SPEC
SPECIFICATION	DESCRIPTION

CHG: ADDED -0033 PER PDR15031894 -0030 PACKAGING TRAY WAS BULK IEC NO: URF2015-0545 DRWN: CME102 2015/03/24 CHKD: APPR: YCHENG 2015/04/14 DESCRIPTION REV B1	QUALITY SYMBOLS ∇=0 ∇=0 ∇=0	GENERAL TOLERANCES (UNLESS SPECIFIED) <table border="1"> <tr> <td></td> <td>mm</td> <td>INCH</td> </tr> <tr> <td>4 PLACES</td> <td>± .005</td> <td>± .0005</td> </tr> <tr> <td>3 PLACES</td> <td>± .003</td> <td>± .0003</td> </tr> <tr> <td>2 PLACES</td> <td>± .002</td> <td>± .0002</td> </tr> <tr> <td>1 PLACE</td> <td>± .001</td> <td>± .0001</td> </tr> <tr> <td>0 PLACE</td> <td>±</td> <td>±</td> </tr> </table> ANGULAR ± 2 ° DRAFT WHERE APPLICABLE MUST REMAIN WITHIN DIMENSIONS		mm	INCH	4 PLACES	± .005	± .0005	3 PLACES	± .003	± .0003	2 PLACES	± .002	± .0002	1 PLACE	± .001	± .0001	0 PLACE	±	±	DIMENSION STYLE MM/IN DRAWN BY LYNN LIN DATE 2002/02/01 CHECKED BY KERRIE DATE 2015/03/24 APPROVED BY DATE	SCALE DESIGN UNITS METRIC THIRD ANGLE PROJECTION	TITLE BNC JACK TO JACK ADAPTER 75 OHMS, BH BNC-J/J/AD molex		MATERIAL NO. SEE TABLE	DOCUMENT NO. SD-73412-003	SHEET NO. 1 OF 1
		mm	INCH																								
4 PLACES	± .005	± .0005																									
3 PLACES	± .003	± .0003																									
2 PLACES	± .002	± .0002																									
1 PLACE	± .001	± .0001																									
0 PLACE	±	±																									
THIS DRAWING CONTAINS INFORMATION THAT IS PROPRIETARY TO MOLEX INCORPORATED AND SHOULD NOT BE USED WITHOUT WRITTEN PERMISSION																											

X-ON Electronics

Largest Supplier of Electrical and Electronic Components

Click to view similar products for [RF Cable Assemblies](#) category:

Click to view products by [Molex](#) manufacturer:

Other Similar products are found below :

[573/2](#) [73-6311-6](#) [73-6353-3](#) [73-6364-6](#) [MDB1-9SH001](#) [MDM-15PH003L-K139](#) [MDM-21PH003L-K139](#) [MH113-01SB1-MH1RP-0152](#)
[MIKQ6-7SH076](#) [R288940005](#) [RF174-01RP1-03RP1-0110](#) [RMTB1-6PHY0102](#) [145111-05-12.00](#) [1661-C-24](#) [2192](#) [CA-628485-A43](#)
[24P104C24J1-012](#) [24P104C24P1-006](#) [24P104C24P1-018](#) [24P203C24P2-006](#) [24P204C24J1-003](#) [172-2150-EX](#) [1800920920914PJ](#) [FCB-3030-](#)
[ALT](#) [21117-046](#) [21117-050](#) [PCX-24-50](#) [24P103C24P2-003](#) [25P203C25P2-003](#) [R284008001](#) [R285426000](#) [R288940003](#) [R288940008](#)
[RF174-03RP1-01BR1-0200](#) [RF179-74BJ3-77RP1-0305](#) [RMTB1-15PHY0102](#) [RMTB1-8PHY0102](#) [4814-BB-24](#) [500-181-R-ACC](#) [MIKQ6-](#)
[7SH023](#) [5260-72](#) [314-120](#) [JR4N1-CL1-6F](#) [JR4R3-CL1-4F](#) [JT2N1-CL1-1F](#) [JT2T1-CL1-6F](#) [4814-K-48](#) [RN-UFL-SMA6](#) [100E151JW3600X](#)
[CCNTN2-MM-LL335-26](#)