

Contactors 3-pole



- Up to 1200A AC3
- Up to 1350A AC1
- DIN-rail mounting up to AC3 74A
- International Approvals
- Data according to IEC 947 / EN 60947



Ratings		AC3	400V	Motor	10A	14A	18A	22A	24A	32A	40A	50A	62A	74A	90A	115A
				380-400V 660-690V	4kW 5,5kW	5,5kW 7,5kW	7,5kW 10kW	11kW 10kW	11kW 15kW	15kW 18,5kW	18,5kW 18,5kW	22kW 30kW	30kW 37kW	37kW 45kW	45kW 55kW	55kW 55kW
		AC1	690V at 40°C		25A	25A	32A	32A	50A	65A	80A	110A	120A	130A	160A	200A
Type		MC-			10N-S-10	14N-S-10	18N-S-10	22N-S-10	24-S-00	32-S-00	40-S-00	50-S-00	62-S-00	74-S-00	90-S-00	115-S-00
Auxiliary contacts					1NO	1NO	1NO	1NO	-	-	-	-	-	-		
Type		MC-			10N-S-01	14N-S-01	18N-S-01	22N-S-01								
Auxiliary contacts					1NC	1NC	1NC	1NC								
Cable cross-section																
Solid	mm ²				0,75 - 6				1,5 - 25			4 - 50		120+95		
Flexible	mm ²				1 - 4				2,5 - 16			10 - 35		95+70		
Cables per clamp					2				1 + 1			1 + 1		1 + 1		
Auxiliary contact																
I _{th} 40°C	A				16				-			-		-		
AC15 230V	A				12				-			-		-		
400V	A				4				-			-		-		
Power consumption of coils																
Inrush VA					33 - 45				90 - 115			140 - 165		280		
hold VA					7 - 10				9 - 13			13 - 18		5		
Operation range of coils					0,85 - 1,1				0,85 - 1,1			0,85 - 1,1		0,85 - 1,1		
Mounting					35mm DIN-rail or base										2x DIN-rail or base	
Additional aux. contact blocks																
Front mounting contacts	Type				MCA10 1NO 10A AC1	MCA01 1NC 10A AC1	MCAH10 1NO 25A AC1	MCAH01 1NC 25A AC1	Max MCAH or MCA			Max. MCAH or MCA				
Interlock					MC-I-W					MC-I-X			MC-I-Y			
Overload Relay (thermal)																
Single phase protection																
Temperature compensation																
Trip and alarm contacts																
Type					MCOR-1					MCOR-3			MCOR-4			
					U12/16E		MCOR-2									
Number of Setting Ranges from					16 0,12 - 30A		16 0,12 - 32A			4 10 - 42A			5 20 - 74A		2 60 - 120A	
Busbar sets					-					-			-		-	



150A	175A	210A	260A	315A	450A	550A	700A	860A	1000A	1200A
75kW 90kW	90kW 110kW	110kW 160kW	132kW 210kW	160kW 250kW	250kW 375kW	300kW 475kW	400kW 630kW	500kW 700kW	580kW 850kW	680kW 1000kW
230A	250A	350A	450A	500A	600A	760A	1000A	1100A	1200A	1350A
151-S-00	176-S-00	210-S-00	260-S-00	316-S-00	450-S-22	550-S-22	700-S-22	860-S-22	1000-S-12	1200-S-12
-	-	-	-	-	2NO+2NC	2NO+2NC	2NO+2NC	2NO+2NC	1NO+2NC	1NO+2NC
2 x 16-120 2 x 16-120		busbar 30x6	busbar 30x6	busbar 30x6	busbar 30x5	busbar 40x6	busbar 50x8	busbar 50x8	busbar 50x10	busbar 50x10
-	-	-	-	-			10 3 2		10 3 2	
350 5 0,85 - 1,1	350 5	360 5	360 5 0,85 - 1,1	360 5	800-950 9-11	800-950 9-11	1350-1600 21-25 0,85 - 1,1	1350-1600 21-25	2400 70 0,85-1,1	2400 70

base



MCAT11
1NO+ 1NC
2NO+ 2NC
max. 1 pc.



MCAA11
1NO+1NC
max. 2 pcs.



MCAF22
2NO+ 2NC
max. 1 pc.



MCAB11
1NO+ 1NC
max. 2 pcs.

Interlock
LG10399H



--

--

--

--

--

--



MCOR-5

1
120 - 180A

BB180

links for
independent use
integrated



MCOR-6

2
144 - 320A

integrated



MCOR-7

4
260 - 800A

BB550

BB860



MCOR-8

2
700 - 1250A

Contactors 3-pole

AC Operated



Ratings		Rated Current	Aux. Contacts		Additional see page 34	Type	Coil voltage ¹⁾	Pack pcs.	Weight kg/pc.
AC2, AC3			Built-in						
380V						24	24V 50/60Hz		
400V	660V	AC1	⏏	⏏		110	110V 50/60Hz		
415V	690V	690V				230	220-240V 50Hz		
kW	kW	A	NO	NC	Typ	400	380-415V 50Hz		
						▼			
4	4	5,5	25	1	-	max. 4	MC10N-S-10 ...	1	0,23
4	4	5,5	25	-	1	MCA.. or MCAH..	MC10N-S-01 ...		
5,5	7,5	25	1	-			MC14N-S-10 ...		
5,5	7,5	25	-	1			MC14N-S-01 ...		
7,5	10	32	1	-			MC18N-S-10 ...		
7,5	10	32	-	1			MC18N-S-01 ...		
11	10	32	1	-			MC22N-S-10 ...		
11	10	32	-	1			MC22N-S-01 ...		



11	15	50	-	-	max. 4	MC24-S-00 ...			0,48
15	18,5	65			MCA.. or	MC32-S-00 ...			
18,5	18,5	80			MCAH..	MC40-S-00 ...			



22	30	110			max. 4 (3) ²⁾	MC50-S-00 ...			0,85
30	37	120			MCA.. or	MC62-S-00 ...			
37	45	130			MCAH..	MC74-S-00 ...			



45	55	160			max. 7	MC90-S-00 ... ³⁾			2,2
55	55	200			MCA.. or MCAH..	MC115-S-00 ... ³⁾			



75	110	230			1 HKT..	MC151-S-00 ... ³⁾			4
90	132	250			and 2 HKA11	MC176-S-00 ... ³⁾			

110	160	350				MC210-S-00 ... ³⁾			7,2
132	210	450				MC260-S-00 ... ³⁾			
160	250	500				MC316-S-00 ... ³⁾			



250	375	600	2	2	1 HKF22	MC450-S-22 ...			13
300	475	760				MC550-S-22 ...			13,5

400	630	1000				MC700-S-22 ...			26,5
500	700	1100				MC860-S-22 ...			27,6

580	850	1200	1	2	2 HKB11	MC1000-S-12 ...			49
680	1000	1350				MC1200-S-12 ...			53

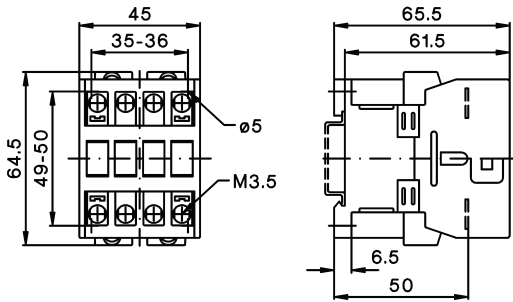
2) max. 3 MCA.. or MCAH.. for DC-operated Contactors
 3) with integrated coil suppressor

Contactors

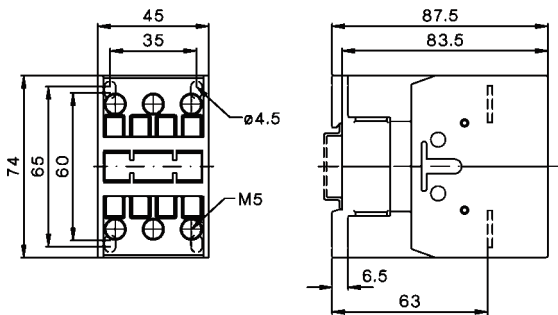
Dimensions

AC operated

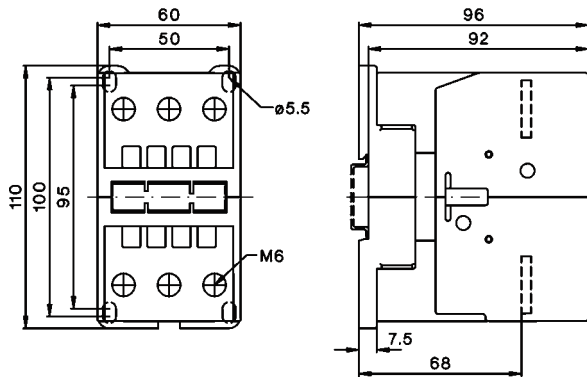
- MC10N..
- MC14N..
- MC18N..
- MC22N..



- MC24N..
- MC32N..
- MC40N..

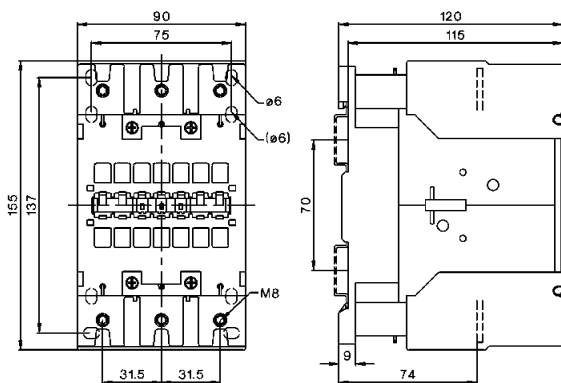


- MC50N..
- MC62N..
- MC74N..



AC and DC operated

- MC90N..
- MC115N..

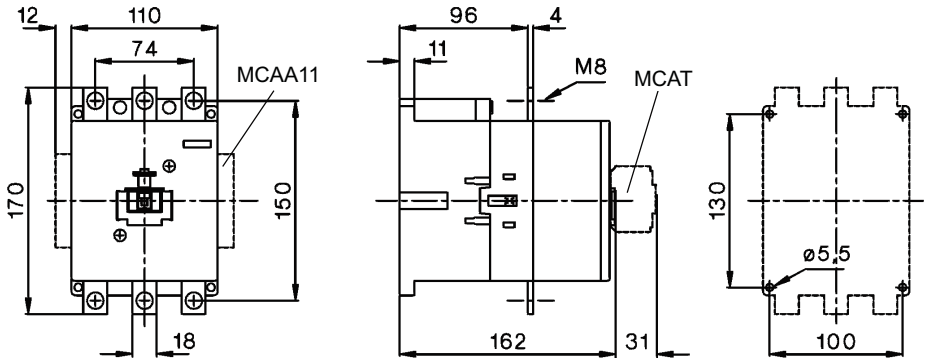


Contactors

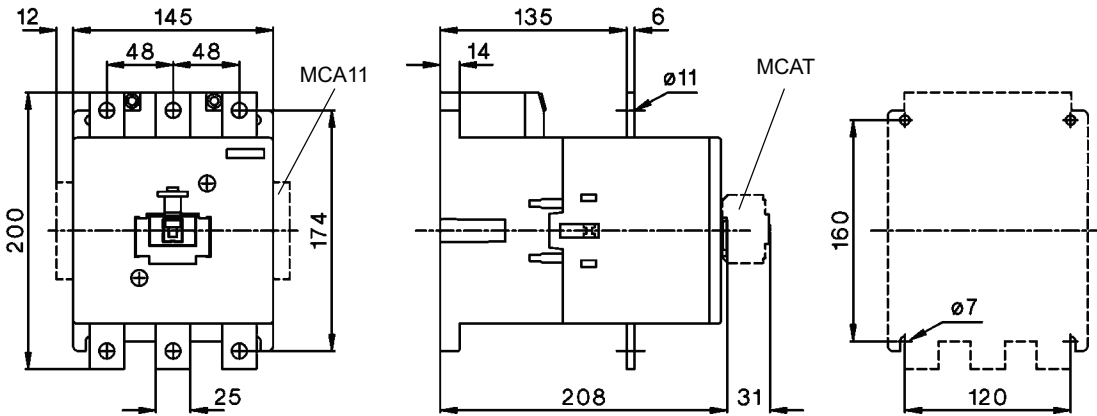
Dimensions

AC operated, DC operated

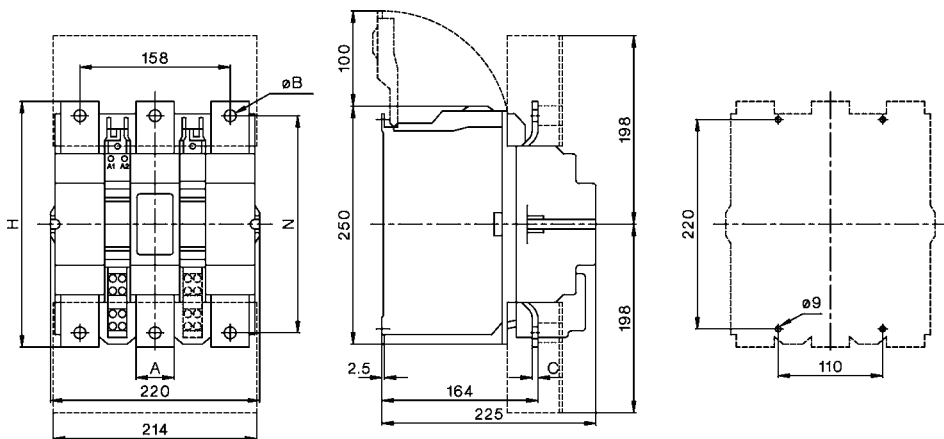
MC151..
MC176..



MC210..
MC260..
MC316..



MC450..
MC550..



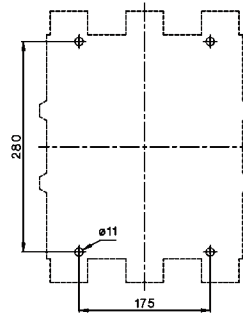
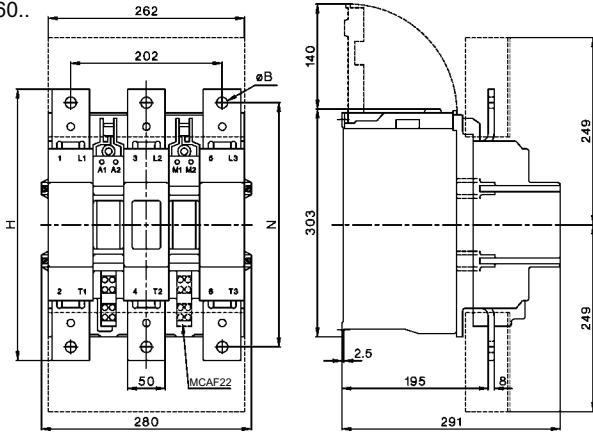
Typ	A	B	C	H	N
MC450	40	10,5	4	233	206
MC550	40	12,5	6	258	228

Contactors

Dimensions

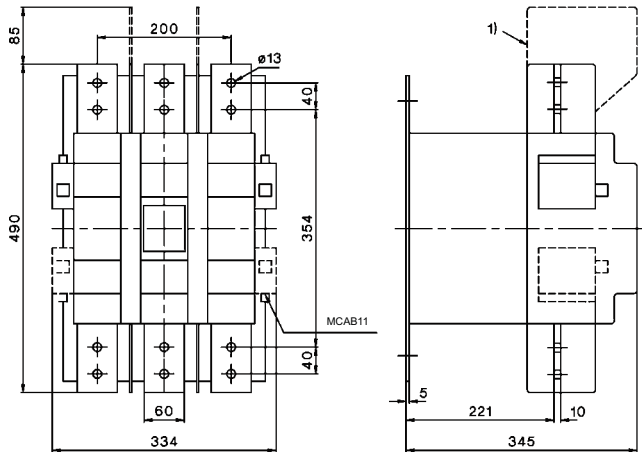
AC and DC operated

MC700..
MC860..

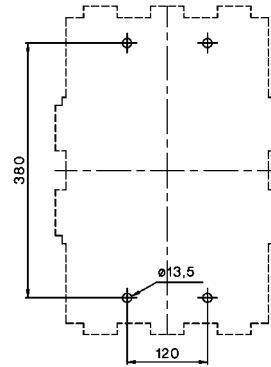


Typ	B	H	N
MC700	13	310	277
MC860	15	361	325

MC1000..
MC1200..



1) for MC-1200 in UL conformity application only



X-ON Electronics

Largest Supplier of Electrical and Electronic Components

Click to view similar products for [Solid State Relays - Industrial Mount](#) category:

Click to view products by [IMO](#) manufacturer:

Other Similar products are found below :

[6225XXASRS-DC3](#) [D2440-C](#) [H10CA4890](#) [D4875C](#) [D53TP50DH-10](#) [1395831-1](#) [1616010-6](#) [BR312BY](#) [A-1326](#) [AQY210SXE01](#)
[AQY221N2SYD01](#) [AQY414SXE01](#) [26532764](#) [H10CA4850](#) [H12CA4890VL](#) [RA2410-D06](#) [D1202F](#) [D53TP50-10](#) [W230E-1-12](#) [W230T-3-](#)
[12](#) [W6125ASX-1](#) [W6225DSX-2](#) [W6240DSX-4](#) [W6240DTX-2](#) [1-1617030-3](#) [1-1617033-9](#) [1-1617033-7](#) [MS2-D2420](#) [MS2-D2430](#) [A-1440](#)
[4-1617080-0](#) [RJ1P60V50E](#) [RN1F48I50](#) [70.362.1028.0](#) [7-1393030-8](#) [Z5.509.0828.0](#) [W230E-2-5](#) [G3RV-SR700-D](#) [AC110](#) [G3RV-SR500-AL](#)
[AC100](#) [G3RV-SR500-D](#) [ACDC24](#) [G3RV-SR500-AL](#) [ACDC24](#) [G3RV-SR700-D](#) [ACDC24](#) [G3RV-SR700-AL](#) [ACDC24](#) [G3RV-SR500-D](#)
[DC12](#) [G3RV-SR700-A](#) [ACDC24](#) [G3RV-SR500-A](#) [ACDC24](#) [2912138](#) [2912141](#) [SSRDAC10](#) [1613353](#)