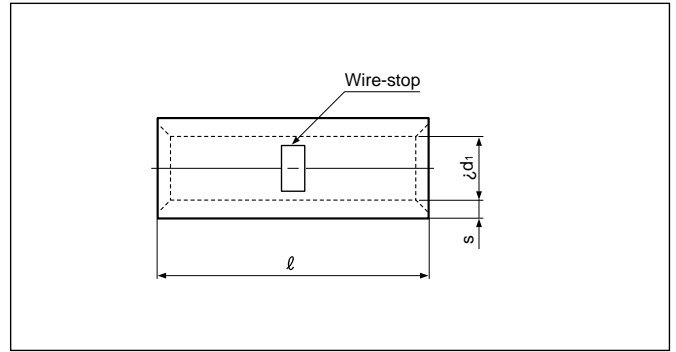


BUTT SPLICE DIN 46341

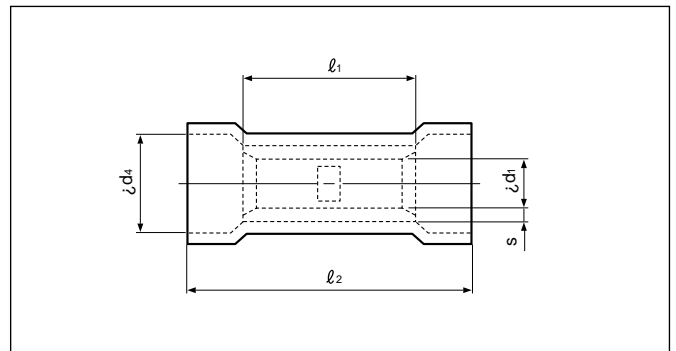


Non-insulated

Applicable Wire mm ² (AWG#)	Part No.	Nominal Size DIN46341	Dimensions mm (in.)			Tool No.	Qty/box
			ø d ₁	l	s		
0.1 to 0.5 (26 to 22)	C-0.5A	0.5	1.2 (.047)	12.0 (.472)	0.4 (.016)	—	2,000
0.25 to 1.5 (22 to 16)	GSC-1	1	1.6 (.063)	15.0 (.591)	0.8 (.031)	JCH-10	
>1 to 2.5 (16 to 14)	GSC-2.5	2.5	2.3 (.091)	15.0 (.591)	0.8 (.031)		
>2.5 to 6 (12 to 10)	GSC-6	6	3.6 (.142)	15.0 (.591)	1.0 (.039)	JCS-350 YH-540	1,000
>6 to 10 (8)	GSC-10	10	4.5 (.177)	20.0 (.787)	1.1 (.043)		500
>10 to 16 (6)	GSC-16	16	5.8 (.228)	23.0 (.906)	1.2 (.047)	JCS-350, YH-540 JS-150D, JSHR-150	
>16 to 25 (4)	GSC-25	25	7.5 (.295)	25.0 (.984)	1.5 (.059)		250
>25 to 35 (2)	GSC-35	35	9.0 (.354)	27.0 (1.063)	1.6 (.063)	200	
>35 to 50 (1)	GSC-50	50	11.0 (.433)	38.0 (1.496)	1.8 (.071)		YH-540 JS-150D
>50 to 70 (1/0 to 2/0)	GSC-70	70	13.0 (.512)	42.0 (1.654)	2.0 (.079)	50	
>70 to 95 (3/0)	GSC-95	95	15.0 (.591)	48.0 (1.890)	2.5 (.098)		JS-150D JSHR-150
>95 to 120 (4/0 to 250MCM)	GSC-120	120	16.5 (.650)	52.0 (2.047)	3.0 (.118)	50	
>120 to 150 (250 to 300MCM)	GSC-150	150	19.0 (.748)	56.0 (2.205)	3.2 (.126)		JS-150D JSHR-150

Note:1) Contact J.S.T. Europe N.V., Belgium for the above tools.

2) Delivery lead times may vary depending on the product. Contact JST for details.



Vinyl-insulated

Applicable Wire mm ² (AWG#)	Part No.	Nominal Size DIN46341	Dimensions mm (in.)					Color	Tool No.	Qty/box
			ø d ₁	ø d ₄	l ₁	l ₂	s			
0.25 to 1.5 (22 to 16)	FVGSC-1	1	1.7 (.067)	3.4 (.134)	15.0 (.591)	25.0 (.984)	0.6 (.024)	Red	JCH-1112	1,000
>1 to 2.5 (16 to 14)	FVGSC-2.5	2.5	2.3 (.091)	4.3 (.169)	15.0 (.591)	25.0 (.984)	0.6 (.024)	Blue	JCH-1112, JCH-1213	1,000
>2.5 to 6 (12 to 10)	FVGSC-6	6	3.6 (.142)	6.4 (.252)	15.0 (.591)	27.0 (1.063)	0.7 (.028)	Yellow	JCH-1213	500

Note:1) Contact J.S.T. Europe N.V., Belgium for the above tools.

2) Delivery lead times may vary depending on the product. Contact JST for details.

Nylon-insulated

Applicable Wire mm ² (AWG#)	Part No.	Nominal Size DIN46341	Dimensions mm (in.)					Color	Tool No.	Qty/box
			ø d ₁	ø d ₄	l ₁	l ₂	s			
0.1 to 0.5 (26 to 22)	FNGSC-0.5	0.5	1.2 (.047)	2.0 (.079)	12.0 (.472)	20.0 (.787)	0.4 (.016)	Yellow	JCH-9	2,000
0.25 to 1.5 (22 to 16)	FNGSC-1	1	1.7 (.067)	3.2 (.126)	15.0 (.591)	25.0 (.984)	0.8 (.031)	Red	JCH-1112	1,000
>1 to 2.6 (16 to 14)	FNGSC-2.5	2.5	2.3 (.091)	3.8 (.150)	15.0 (.591)	25.0 (.984)	1.0 (.039)	Blue	JCH-1112, JCH-1213	1,000
>2.5 to 6 (12 to 10)	FNGSC-6	6	3.6 (.142)	5.4 (.213)	15.0 (.591)	27.0 (1.063)	1.0 (.039)	Yellow	JCH-1213	500

Note:1) Contact J.S.T. Europe N.V., Belgium for the above tools.

2) Delivery lead times may vary depending on the product. Contact JST for details.

X-ON Electronics

Largest Supplier of Electrical and Electronic Components

Click to view similar products for [jst manufacturer](#):

Other Similar products are found below :

[GS3-0.5](#) [GS8-6](#) [B08B-JWPF-SK-R](#) [B3PS-VH](#) [B5B-XH-A](#) [B5P-VH](#) [B7B-XH-A](#) [B8B-PH-SM4-TB](#) [FVGS5-6](#) [B34B-PHDSS-B\(LF\)\(SN\)](#)
[B3B-ZR-SM4-TF](#) [B4B-PH-SM4-TB](#) [B4PS-VH](#) [B5B-PH-SM4-TB](#) [B6B-PH-SM4-TB](#) [B6B-XH-A](#) [B8B-PH-K-S](#) [IDH-KR-12](#) [10HR-4K](#) [WC-](#)
[ZE2426](#) [WC-691](#) [WC-122](#) [FVDDF5.5-375A \(LF\)](#) [FVGS12-6 \(LF\)](#) [FVWS2-S3.3 \(LF\)](#) [FVWS5.5-5 \(LF\)](#) [B6PS-VH\(LF\)\(SN\)](#) [FNGS12-6](#)
[TWE0.5-8](#) [FVGS4-1 \(LF\)](#) [HILR-06VF-1-S](#) [YRS-1090](#) [WC-GVH2630](#) [WC-PUD2](#) [S10B-PH-SM4-TB\(LF\)\(SN\)](#) [B4B-EH-A-TW \(LF\)\(SN\)](#)
[B4B-XH-TW \(LF\)\(SN\)](#) [B5B-PH-TW-S \(LF\)\(SN\)](#) [B8B-PH-TW-S \(LF\)\(SN\)](#) [B9B-XH-A](#) [BM03B-GHS-TBT](#) [BM04B-GHS-TBT](#) [BM06B-](#)
[GHS-TBT](#) [BM10B-GHS-TBT](#) [10FPZ-SM-TF\(LF\)\(SN\)](#) [YRS-852](#) [B04B-VYHSK-M-1](#) [WC-530](#) [B4B-PH-SM4-GW-TB](#) [B2B-ZR-SM4-](#)
[TFT\(LF\)\(SN\)](#)