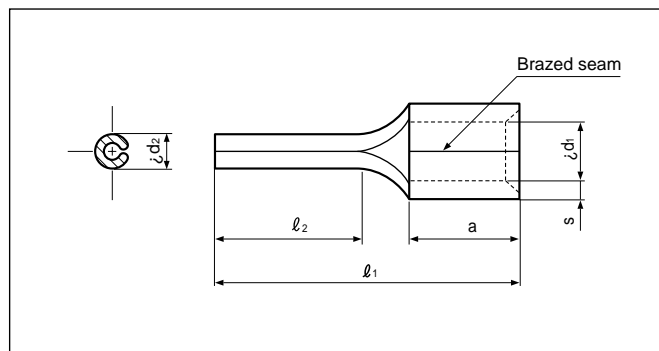




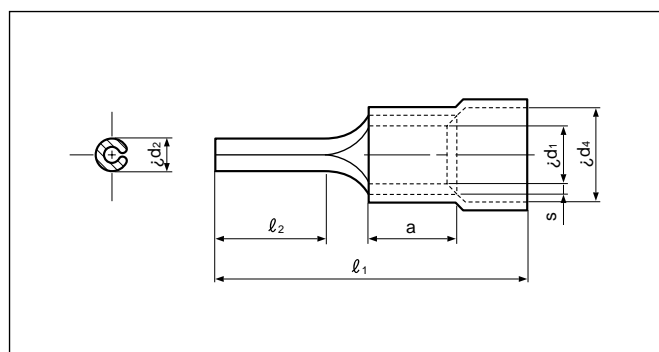
PIN CONNECTOR Non-insulated DIN 46230 / Insulated DIN 46231



Non-insulated

| Applicable Wire mm ² (AWG#) | Part No. | Nominal Size DIN46230 | Dimensions mm (in.) | | | | | | Tool No. | Qty/box |
|---|--------------|--------------------------|---------------------|-------------|-------------|------------|-------------------|------------|----------|---------|
| | | | $\varnothing d_2$ | l_1 | l_2 | a | $\varnothing d_1$ | s | | |
| 0.25 to 1.5 (22 to 16) | PC-1.25 | 1 | 1.9 (.075) | 17.0 (.669) | 10.0 (.394) | 5.0 (.197) | 1.6 (.063) | 0.8 (.031) | JCH-10 | 2,000 |
| | PC-1.25 F-10 | 15.0 (.591) | | 8.0 (.315) | | | | | | |
| | PC-1.25 F-7 | 12.0 (.472) | | 5.0 (.197) | | | | | | |
| >1 to 2.5 (16 to 14) | PC-2 | 2.5 | 1.9 (.075) | 17.0 (.669) | 10.0 (.394) | 5.0 (.197) | 2.3 (.091) | 0.8 (.031) | JCH-10 | 2,000 |
| | PC-2 F-17 | 22.0 (.866) | | 15.0 (.591) | | | | | | |
| | PC-2 F-7 | 12.0 (.472) | | 5.0 (.197) | | | | | | |
| >2.5 to 6 (12 to 10) | PC-5.5 | 6 | 2.7 (.106) | 20.0 (.787) | 10.0 (.394) | 6.0 (.236) | 3.6 (.142) | 1.0 (.039) | JCH-10 | 1,000 |

Note:1) Contact J.S.T. Europe N.V., Belgium for the above tools.
 2) Delivery lead times may vary depending on the product. Contact JST for details.



Vinyl-insulated

| Applicable Wire mm ² (AWG#) | Part No. | Nominal Size DIN46231 | Dimensions mm (in.) | | | | | | | Color | Tool No. | Qty/box |
|---|-----------------|--------------------------|---------------------|-------------|-------------|------------|-------------------|-------------------|------------|-------|----------------------|---------|
| | | | $\varnothing d_2$ | l_1 | l_2 | a | $\varnothing d_1$ | $\varnothing d_4$ | s | | | |
| 0.25 to 1.5 (22 to 16) | FVGSPC-1 | 1 | 1.9 (.075) | 22.0 (.866) | 10.0 (.394) | 5.0 (.197) | 1.6 (.063) | 3.4 (.134) | 0.6 (.024) | Red | JCH-1112 | 1,000 |
| | FVGSPC-1 F10 | 20.0 (.787) | | 8.0 (.315) | | | | | | | | |
| | FVGSPC-1 F-7 | 17.0 (.669) | | 5.0 (.197) | | | | | | | | |
| >1 to 2.6 (16 to 14) | FVGSPC-2.5 | 2.5 | 1.9 (.075) | 23.0 (.906) | 10.0 (.394) | 5.0 (.197) | 2.3 (.091) | 4.3 (.169) | 0.6 (.024) | Blue | JCH-1112 JCH-1213 | 1,000 |
| | FVGSPC-2.5 F-17 | 28.0(1.102) | | 15.0 (.591) | | | | | | | | |
| | FVGSPC-6 | 6 | | 2.7 (.106) | 26.0(1.024) | | | | | | | |

Note:1) Contact J.S.T. Europe N.V., Belgium for the above tools.
 2) Delivery lead times may vary depending on the product. Contact JST for details.

Nylon-insulated

| Applicable Wire mm ² (AWG#) | Part No. | Nominal Size DIN46231 | Dimensions mm (in.) | | | | | | | Color | Tool No. | Qty/box |
|---|-----------------|--------------------------|---------------------|-------------|-------------|------------|-------------------|-------------------|------------|--------|----------------------|---------|
| | | | $\varnothing d_2$ | l_1 | l_2 | a | $\varnothing d_1$ | $\varnothing d_4$ | s | | | |
| 0.1 to 0.5 (26 to 22) | FNGSPC-0.5 | | 1.2 (.047) | 18.0 (.709) | 8.0 (.315) | 4.0 (.157) | 1.0 (.039) | 2.2 (.087) | 0.6 (.024) | Yellow | JCH-9 | 2,000 |
| 0.25 to 1.5 (22 to 16) | FNGSPC-1 | 1 | 1.9 (.075) | 22.0 (.866) | 10.0 (.394) | 5.0 (.197) | 1.6 (.063) | 3.4 (.134) | 0.8 (.031) | Red | JCH-1112 | 1,000 |
| | FNGSPC-1 F10 | 20.0 (.787) | | 8.0 (.315) | | | | | | | | |
| >1 to 2.6 (16 to 14) | FNGSPC-2.5 | 2.5 | 1.9 (.075) | 23.0 (.906) | 10.0 (.394) | 5.0 (.197) | 2.3 (.091) | 4.4 (.173) | 0.9 (.035) | Blue | JCH-1112 JCH-1213 | 1,000 |
| | FNGSPC-2.5 F-17 | 28.0(1.102) | | 15.0 (.591) | | | | | | | | |
| | FNGSPC-2.5 F-7 | 18.0 (.709) | | 5.0 (.197) | | | | | | | | |
| >2.6 to 6 (12 to 10) | FNGSPC-6 | 6 | 2.7 (.106) | 26.0(1.024) | 10.0 (.394) | 6.0 (.236) | 3.6 (.142) | 6.4 (.252) | 1.0 (.039) | Yellow | JCH-1213 | 1,000 |

Note:1) Contact J.S.T. Europe N.V., Belgium for the above tools.
 2) Delivery lead times may vary depending on the product. Contact JST for details.

X-ON Electronics

Largest Supplier of Electrical and Electronic Components

Click to view similar products for [jst manufacturer](#):

Other Similar products are found below :

[GS3-0.5](#) [GS8-6](#) [B3B-ZR](#) [B4B-ZR](#) [B5B-XH-A](#) [B5B-ZR](#) [B6B-ZR-SM4-TF](#) [B7B-XH-A](#) [B8B-XH-A](#) [B8B-ZR](#) [BM02B-SRSS-TB](#) [BM06B-SRSS-TB](#) [BM10B-SRSS-TB](#) [FVGS5-6](#) [B2B-ZR-SM4-TF](#) [B34B-PHDSS-B\(LF\)\(SN\)](#) [B3B-ZR-SM4-TF](#) [B5B-ZR-SM4-TF](#) [B6B-XH-A](#) [B7B-ZR-SM4-TF](#) [B8B-ZR-SM4-TF](#) [B8PS-VH](#) [BM04B-SRSS-TB](#) [BM05B-SRSS-TB](#) [IDH-KR-12](#) [10HR-4K](#) [WC-ZE2426](#) [WC-691](#) [FVDDF5.5-375A \(LF\)](#) [FVGS12-6 \(LF\)](#) [FVWS2-S3.3 \(LF\)](#) [FVWS5.5-5 \(LF\)](#) [B6PS-VH\(LF\)\(SN\)](#) [FNGS12-6](#) [TWE0.5-8](#) [FVGS4-1 \(LF\)](#) [WC-GVH2630](#) [WC-PUD2](#) [S10B-PH-SM4-TB\(LF\)\(SN\)](#) [B2B-EH-A-TW \(LF\)\(SN\)](#) [B4B-EH-A-TW \(LF\)\(SN\)](#) [B4B-XH-TW \(LF\)\(SN\)](#) [B9B-XH-A](#) [BM02B-GHS-TBT](#) [BM03B-GHS-TBT](#) [BM04B-GHS-TBT](#) [BM06B-GHS-TBT](#) [BM08B-GHS-TBT](#) [BM10B-GHS-TBT](#) [SM10B-GHS-TB](#)