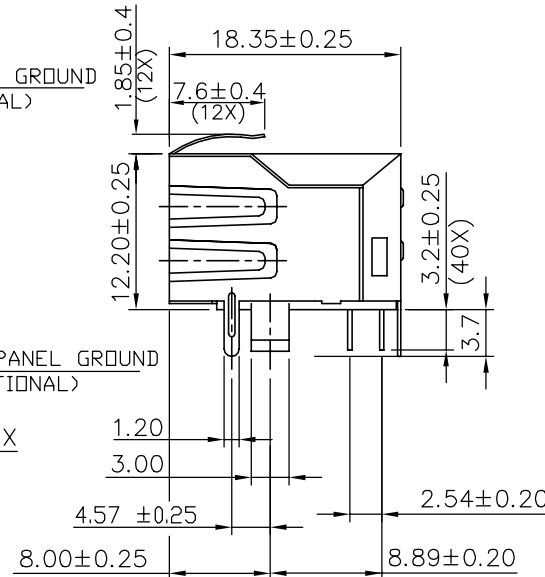
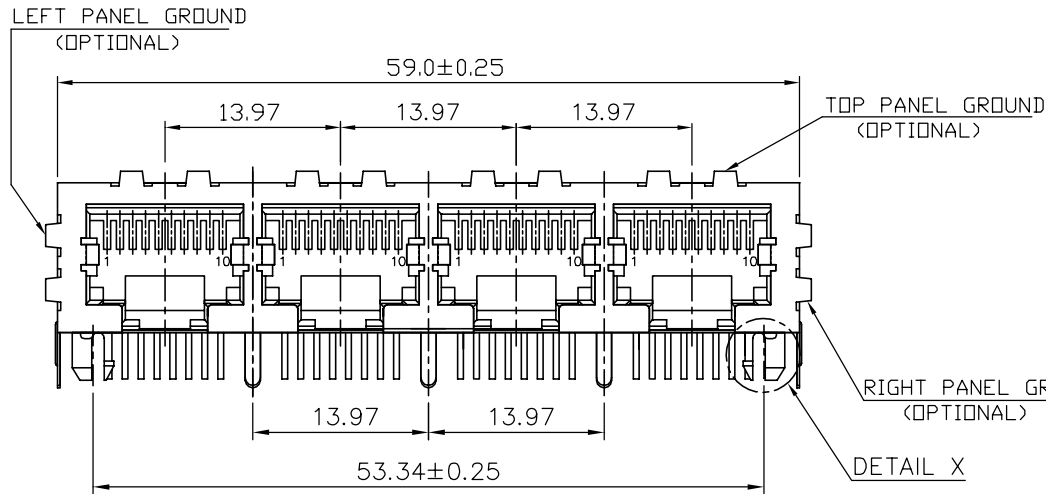
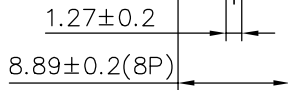
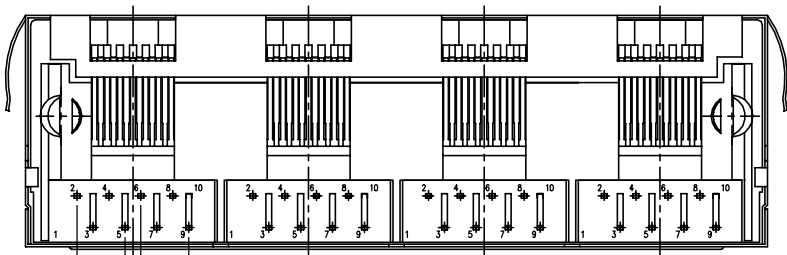
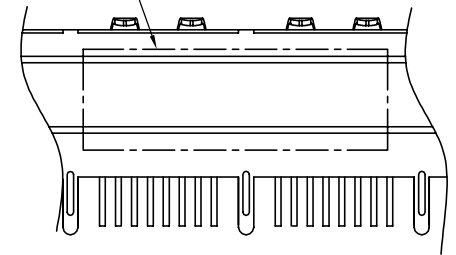


DETAIL X

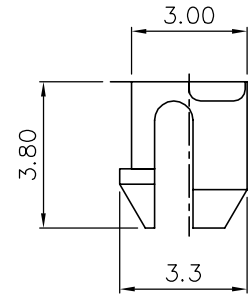
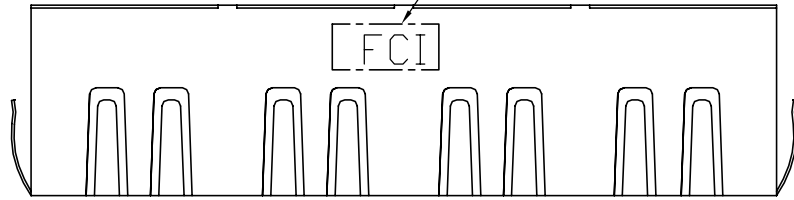


PRINT P/N & DATE CODE (SEE NOTE 4)



mat'l. code		surface ASME Y14.5		tolerance ASME Y14.5		projection		product family	
GANGED MJACK		ASME Y14.5		ASME Y14.5		MM		GANGED MJACK	
ltr	ecn no	dr	date	tolerances unless otherwise specified				title	
A	-	WL	11/04/11	angles	X.X±0.25			CAT 3 MULTI-PORTS TAB DOWN	
B	ECN-ELX-N-008500	A.ZH	12/05/11	line	X.XX±0.13			1x4 WITH SHIELD, W/O LED	
C	ECN-ELX-N-009381	A.ZH	01/06/12	X*±1*	X.XXX±0.05	scale		dwg no	
		dr	WENDY CHEN	05/03/11			sheet 1 of 4		size
		enr	WENDY CHEN	05/03/11			10118065		A4
		chr	WENDY CHEN	05/03/11			type		CUSTOMER Drawing
		appd	GARY HSIEH	05/03/11					
sheet index	revision	C							
	sheet	1~4							

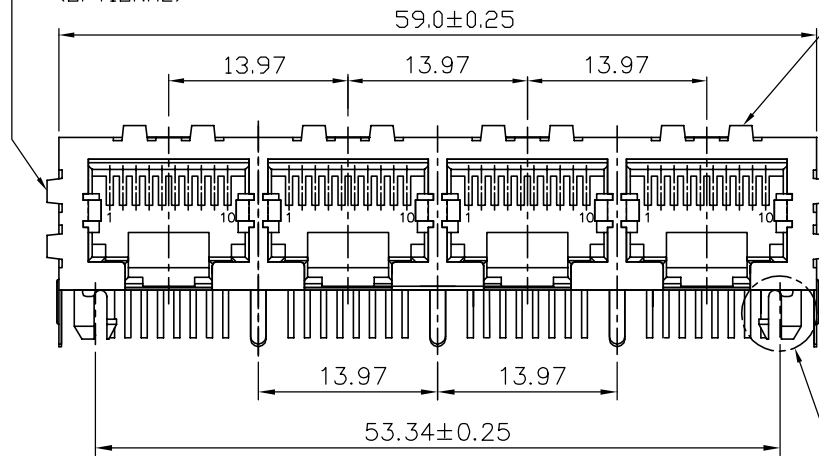
LOGO(SEE NOTE 3)



DETAIL X

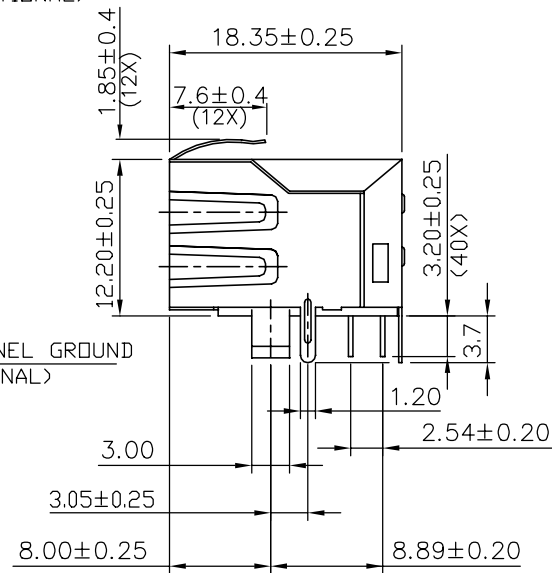
LEFT PANEL GROUND
(OPTIONAL)

TOP PANEL GROUND
(OPTIONAL)

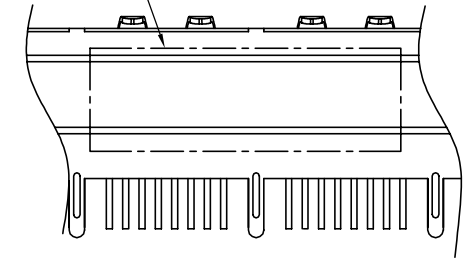


DETAIL X

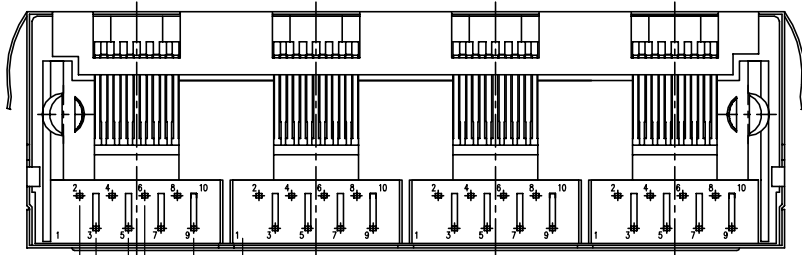
RIGHT PANEL GROUND
(OPTIONAL)



PRINT P/N & DATE CODE
(SEE NOTE 4)

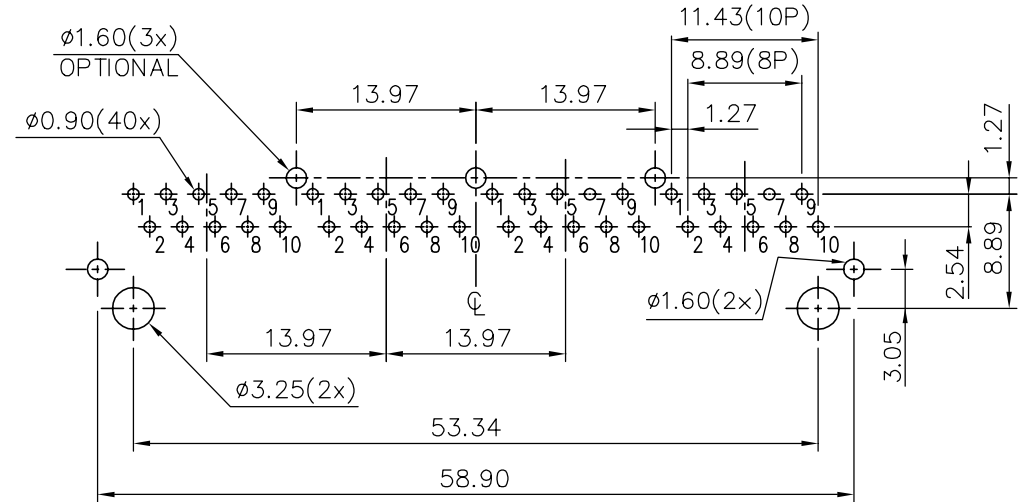
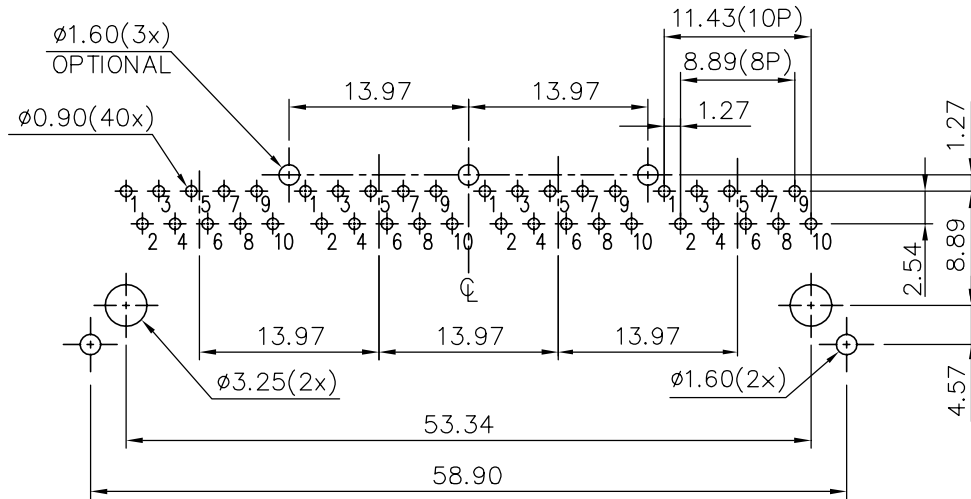


BACK VIEW



1.27±0.2
8.89±0.2(8P)
11.43±0.2(10P)

mat'l. code		surface ASME Y14.5		tolerance ASME Y14.5		projection MM		product family GANGED MJACK	
ltr		ecn no		dr		date		title CAT 3 MULTI-PORTS TAB DOWN 1x4 WITH SHIELD, W/O LED	
c				angles		tolerances unless otherwise specified		scale	
				X.X±0.25				sheet 2 of 4	
				X.XX±0.13				size A4	
				X*±1*				dwg no 10118065	
		dr		WENDY CHEN		05/03/11		type CUSTOMER Drawing	
		enr		WENDY CHEN		05/03/11			
		chr		WENDY CHEN		05/03/11			
		appd		GARY HSIEH		05/03/11			
sheet index		revision sheet							

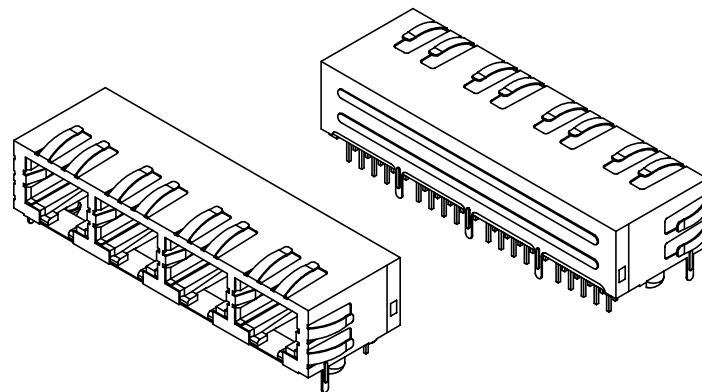


RECOMMENDED PCB LAYOUT

RECOMMENDED PCB THICKNESS: 1.6mm
TOLERANCE: ± 0.05 (TOP VIEW)

RECOMMENDED PCB LAYOUT

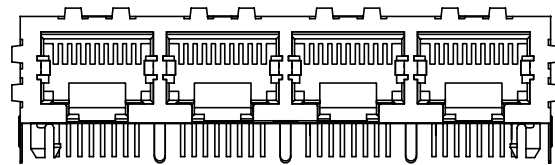
RECOMMENDED PCB THICKNESS: 1.6mm
TOLERANCE: ± 0.05 (TOP VIEW)



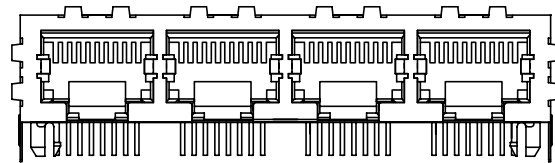
mat'l. code		surface ASME Y14.5	tolerance ASME Y14.5	projection 	product family GANGED MJACK	
ltr	ecn no	dr	date	tolerances unless otherwise specified	title CAT 3 MULTI-PORTS TAB DOWN 1x4 WITH SHIELD, W/O LED	
C				angles X.X \pm 0.25		
				parallelism X.XX \pm 0.13	scale MM	
				perpendicularity X.XXX \pm 0.05		
		dr	WENDY CHEN 05/03/11		sheet 3 of 4	
		enr	WENDY CHEN 05/03/11		dwg no 10118065	size A4
		chr	WENDY CHEN 05/03/11		type CUSTOMER Drawing	
		appd	GARY HSIEH 05/03/11			
sheet index	revision sheet					

NOTE:

1. MATERIAL:
HOUSING: HIGH TEMPERATURE THERMOPLASTIC, UL94V-0
COLOR: BLACK.
CONTACTS: COPPER ALLOY.
SHIELD: COPPER ALLOY.
2. FINISH:
CONTACTS: 50u" MIN. NICKEL UNDER PLATED OVER ALL.
SELECTIVE GOLD PLATED ON CONTACT AREA,
1u" GOLD PLATED ON SOLDER TAIL.
SHIELD: 20u" MIN. NICKEL OVER ALL.
3. LASER MARK FCI LOGO ON THE TOP OF SHIELD.
4. "DATE CODE" DESCRIPTION:
XX XX
WEEK
YEAR (EX. : 10--2010)
5. PRODUCT PERFORMANCE PER SPEC. : GS-12-0990.
6. PACKING SPEC. : GS-14-2170.
7. THIS PRODUCT MEETS THE EUROPEAN UNION DIRECTIVE AS DESCRIBED IN GS-22-008.
8. THE HOUSING WILL WITHSTAND EXPOSURE TO 260°C PEAK TEMPERATURE FOR 5 SECONDS IN A WAVE SOLDER APPLICATION WITH A CIRCUIT BOARD.
9. FOR "10P 8C" P/N: EACH PORT HAS 8Pin, TOTAL HAS 32 Pin FOR FOUR PORTS.



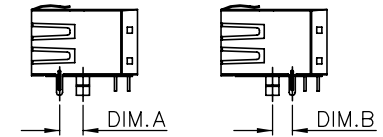
10118065-XXXX3XXLF
WITH 3 BACK SHIELD TABS



10118065-XXXXOXXLF
WITHOUT BACK SHIELD TAB

10. PART NUMBER DESCRIPTION:

- 10118065-X X X X X X X LF
- LEAD FREE
 - 0 : 10P 8C (SEE NOTE 9)
 - PACKAGING
 - 1 : TRAY
 - OPTIONAL BACK SHIELD TAB
 - 0 : WITHOUT BACK SHIELD TAB
 - 3 : WITH 3 BACK SHIELD TABS
 - OPTIONAL RIGHT / LEFT SHIELD TAB
 - 1 : DIM.A=4.57
 - 5 : DIM.B=3.05
 - OPTIONAL PANEL GROUND
 - 0 : WITHOUT PANEL GROUND
 - 3 : 3 SIDES PANEL GROUND
 - LED COLOR
 - 0 : WITHOUT LED
 - CONTACT AREA PLATING
 - 1 : 15u" GOLD PLATING
 - 2 : 30u" GOLD PLATING
 - 5 : 1u" GOLD FLASH PLATING



mat'l. code		surface ASME Y14.5		tolerance ASME Y14.5		projection MM		product family GANGED MJACK	
ltr		ecn no		dr		date		title CAT 3 MULTI-PORTS TAB DOWN 1x4 WITH SHIELD, W/O LED	
C								scale	
		angles		X.X±0.25				sheet 4 of 4	
		X*±1"		X.XX±0.13				size A4	
				X.XXX±0.05				10118065	
		dr		WENDY CHEN		05/03/11		type CUSTOMER Drawing	
		enr		WENDY CHEN		05/03/11			
		chr		WENDY CHEN		05/03/11			
		appd		GARY HSIEH		05/03/11			
sheet index		revision sheet							

X-ON Electronics

Largest Supplier of Electrical and Electronic Components

Click to view similar products for [Modular Connectors / Ethernet Connectors](#) category:

Click to view products by [FCT Electronics](#) manufacturer:

Other Similar products are found below :

[RJE231881317T](#) [MP1010RX-1000](#) [MP44RX-1000](#) [GAX-3-66](#) [GAX-8-62](#) [93606-0253](#) [GD-A-44](#) [GDCX-PA-66-50](#) [GDCX-PN-64](#) [GDCX-PN-66](#) [GDCX-PN-66-50](#) [GDLX-A-66](#) [GDLX-A-88](#) [GDLX-N-66](#) [GDLX-S-88K](#) [GDTX-S-88-50](#) [GDX-PA-1010](#) [GLX-N-1010M-BLK](#) [GLX-N-44M](#) [GLX-S-88M-BLK](#) [GMX-N-1010](#) [GMX-S-1010](#) [GMX-S-66](#) [GMX-SMT2-N-1010](#) [GMX-SMT2-N-64-50](#) [GMX-SMT2-S6-88](#) [GMX-SMT4-N-88](#) [GPX-2-64](#) [GRT1-BT1-5](#) [GSGX-N-2-88](#) [GSX-NS2-88-3.05](#) [GSX-NS2-88-3.05-50](#) [GSX-NS-88-3.05-30](#) [GSX-NS-88-3.05-50](#) [GSX-NS-88-3.68](#) [1-1775629-2](#) [GWLX-S-88-GR](#) [GWLX-S9-88-YG](#) [1300500326](#) [1300500227](#) [1300530003](#) [1300570002](#) [1324640-4](#) [RJ11FTVC2G](#) [RJ11FTVC2N](#) [RJFTVX2SA1G](#) [132764-001](#) [1400000](#) [1413176](#) [1413235](#)