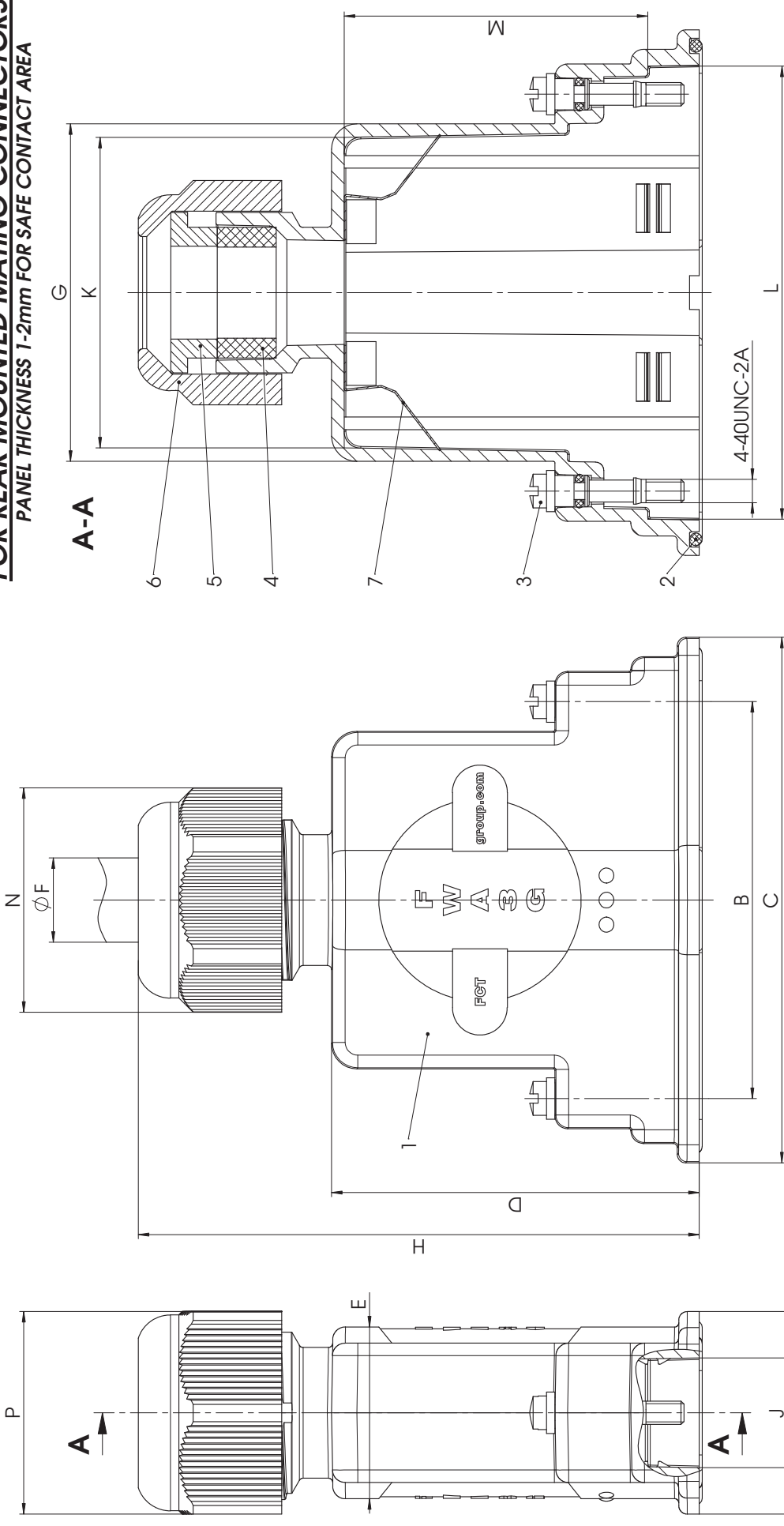


FOR REAR MOUNTED MATING CONNECTORS
PANEL THICKNESS 1-2mm FOR SAFE CONTACT AREA



ØF = Cable diameter
 max. torque are 40 Ncm
 Mounting instruction AM0268
 Part-No. 8 and 9 not mounted

② Protection standarda IP67, 100% checked
 according to DIN EN 60529

Order-No.	Shell Size / for No. of Contacts	A	B	C	D	E	øF	G	H	J	K	L	M	N	P
FWA1G	1 / 9	20.2	25	39.8	36.4	16.5	6 - 8	20	54 - 57.5	13	17	32.4	28.8	22.1	SW20
FWA2G	2 / 15	20.2	33.3	48.5	36.4	16.5	6 - 8	28	54 - 58	13	25	41.1	28.8	26.6	SW24
FWA3G	3 / 25	24	47	62.3	43.6	20.3	8 - 10.5	40	63 - 66.5	13	37	53.8	36	26.6	SW24
FWA4G	4 / 37	24	63.5	78.6	52.1	20.3	8 - 10.5	56.2	71.5 - 75	13	53.2	71.1	44.5	26.6	SW24
FWA5G	5 / 50	27.6	61.1	75.7	52.1	22	9 - 11	55.5	73.5 - 78.5	16	52.2	68	44.5	32.1	SW29

No.	St.	Part	Type Description/Material	Surface plating/Colour/Class
9	2	Cable clamp screw	Steel	zinc plated
8	2	Cable clamp	Steel	zinc plated
7	1	Shielding plate	Bronze	tin plated
6	1	Nut	Polyamide	black
5	1	Pressure washer	Polyester	black
4	1	Seal ring	Elastomer	black
3	2	Locking screw with o-ring seal	FVSW 1/5-K1449 4-40 / Brass + Elastomer	nickel plated + red
2	1	O-ring seal	Elastomer	red
1	1	Hood	FWA 1G, FWA2-5G-K201 / Polyester	black

No.		St.	Part	Type Description/Material	Surface plating/Colour/Class
				Measurement without tolerance acc. to ISO 2768-m	SCALE 2:1
				NAME / DATE	TITLE
				15-09-2008	Meyer-Richter/MUC
				DRAWN	Checked
				Checked	Checked
				ANKE/Meyer-Richter	
				01-02-2013	
3		30-01-2013	23381		
2		15-09-2008	22309		
1		16-04-2008	22244		



FWA1-5G

Plastic Hood waterproof

REV. 3

X-ON Electronics

Largest Supplier of Electrical and Electronic Components

Click to view similar products for [fct electronics manufacturer](#):

Other Similar products are found below :

[F2W2SC-1002](#) [FMK3-K201](#) [FT2W2SC-K121](#) [K761](#) [24P104C24P1-006](#) [SDB15P159S-060](#) [SHD15P15S-012](#) [SHD15P15S-036](#) [FU27W2S7-K121](#) [2761](#) [ICD040GVP163D-03](#) [ICD040GVP163D-25](#) [10056427-1050011LF](#) [155298-002](#) [155286-001](#) [172704-0016](#) [173112-0413](#) [173113-0152](#) [173109-0036](#) [111-0098-994](#) [173107-0568](#) [FM24W7P-K120](#) [FM9W4P-K120](#) [FWDR15S](#) [RB09P09P-006](#) [FLW0915S7](#) [FT2W2PC-K120](#) [25P203C25P2-003](#) [K1003](#) [10112041-2020HLF](#) [173112-0077](#) [173112-0074](#) [173114-0092](#) [10046971-019LF](#) [10093084-2010LF](#) [FWDR09S1](#) [SHD26P26S-012](#) [FWDR15P](#) [74977-101001LF](#) [FM25W3PA-K120](#) [173112-0073](#) [151-2811-010](#) [91910-21169LF](#) [SHD15P15S-060](#) [FKC3GNME](#) [FKT5](#) [CT50-78P7](#) [HM2R89PA8100N9LF](#) [FM27W2SA-K121](#) [73231-1321](#)