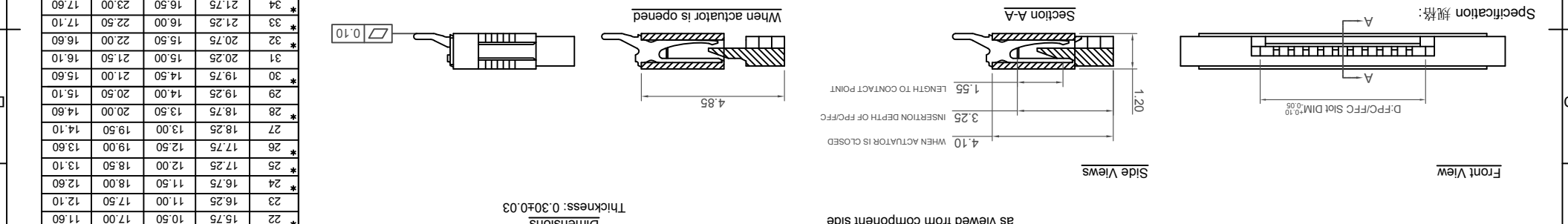
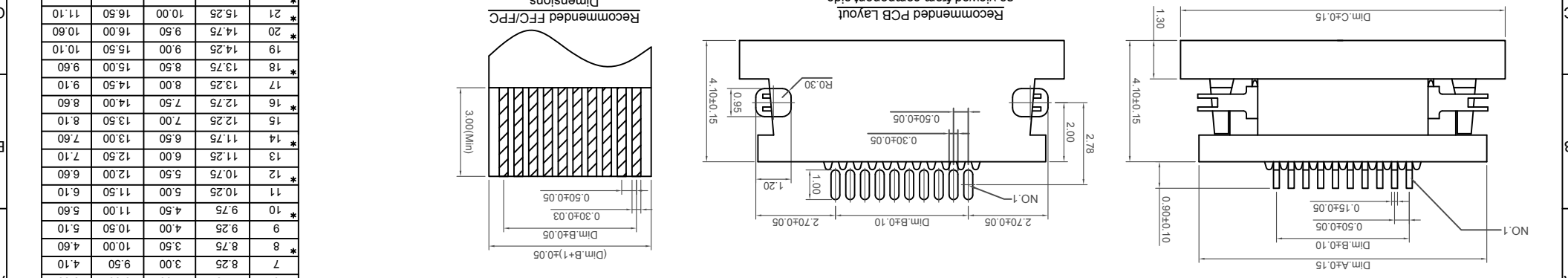


| | |
|-------|------|
| Dim.D | 2.60 |
| Dim.C | 8.00 |
| Dim.B | 9.00 |
| Dim.A | 4.10 |



Material 物料規格: Housing Material: High-Temp Plastic LCP (UL 94V-0), White 高溫塑膠
 Actuator: LCP (UL 94V-0), Black
 Contact: Phosphor Bronze 磷青銅
 Finish (a) Contact Plating: see ordering grid
 (b) Underplating: Nickel-plated all over
 Fitting Nail: Brass, tin plated 黃銅, 鍍錫
Mechanical
 Durability: 20 Cycles

Electrical 电气规格:
 Voltage Rating (Max.): 50V AC/DC 最大额定电压 50V AC/DC
 Current Rating (Max.): 0.4A AC/DC 最大额定电流 0.4A AC/DC
 Dielectric Strength: 250V AC for 1 minute
 between adjacent terminal, no breakdown
 电介质强度: 250V AC于相邻端子, 1分钟, 无损害
 Insulation Resistance: 50 MΩ Min. 250V DC
 for 1 minute between adjacent terminal
 绝缘阻抗: 50MΩ, 250V DC 于相邻端子1分钟
 Contact Resistance: 40 mΩ Max. 连接阻抗: 40 毫欧
 Operating Temperature: -20°C to +80°C 工作温度: -20° to +80°
 Solder Profile: Peak Temp 260°C (+0/-5°C) Maximum (5 seconds)

Ordering Grid
 FFC2B10 - XX - XX
 Request Samples and Quotation

No. of Contacts: 06 - 50
 (see dimension table)

T-Tin Plating over all
 (Standard) - reel qty=2000pcs
 G=Gold Flash over all
 reel qty=2000pcs, MOQ 3 reels

Specification 规格:
 D:FPC/FCC Slot DIM: 3.00±0.10
 1.20
 3.25
 1.55
 LENGTH TO CONTACT POINT
 4.10 WHEN ACTUATOR IS CLOSED
 06 - 50
 No. of Contacts
 (see dimension table)

| | |
|----------------|----------|
| REV D | 09/05/14 |
| DETAIL FFC2B10 | |
| By AJO | |

| | |
|---------------|-----------|
| Part Number:- | FFC2B10 |
| Date:- | 13 MAY 10 |

THIS DRAWING IS CONFIDENTIAL AND MUST NOT BE COPIED OR DISCLOSED WITHOUT WRITTEN CONSENT

FFC 0.5mm PITCH SIDE ENTRY, BOTTOM CONTACT, SMT, HEIGHT=1.2mm, ZIF, SLIDE TYPE

Dimensions in mm
 X X ± 2°
 X X ± 0.30
 X X ± 0.15
 X X X ± 0.5°
 X X X ± 0.10

Third Angle Projection

Deca-BDE 2011/65/EU
 ROHS COMPLIANT

Halogen Free

| | |
|----------|----------|
| Scale | NTS |
| Revision | D |
| Material | See Note |
| Drawn by | PKN |
| E & OE | 8 |

Sheet No. 1/2

www.gct.co

GCT

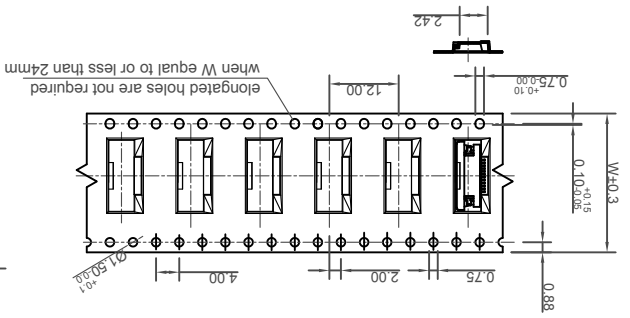
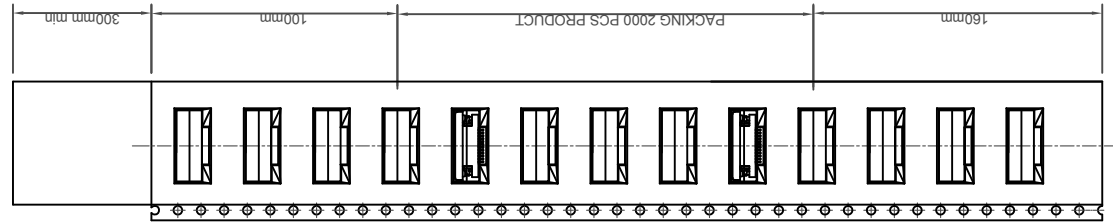
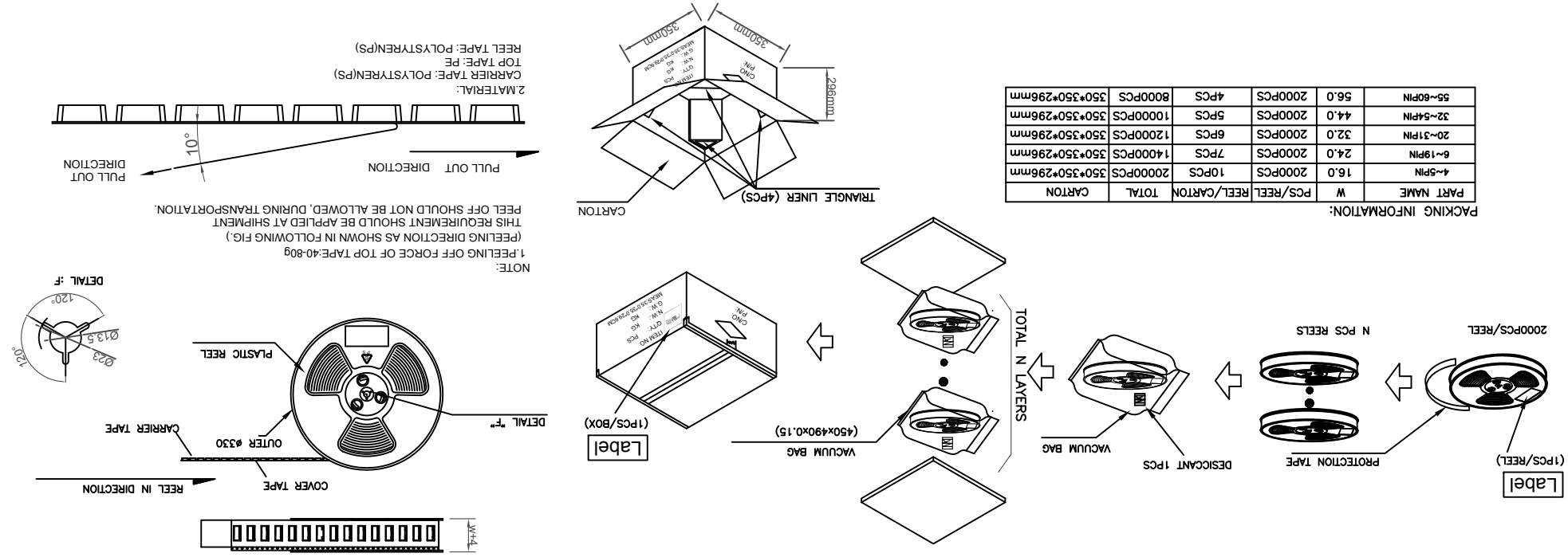
| | |
|--------|----------|
| REV | DATE |
| D | 09/05/14 |
| DETAIL | |
| D P/CN | FFC2B10 |
| By | AJO |

| | | |
|--|----------|----------|
| Sheet No. | E & OE | 2/2 |
| Drawn by | Material | See Note |
| PKN | D | Revision |
| | Scale | NTS |
| | 7 | 6 |
| THIS DRAWING IS CONFIDENTIAL AND MUST NOT BE COPIED OR DISCLOSED WITHOUT WRITTEN CONSENT | | |
| CONTACT: SMT, HEIGHT=1.2mm, ZIF, SLIDE TYPE | | |
| FPC 0.5mm PITCH SIDE ENTRY, BOTTOM | | |
| X XXX ± 0.20 X XXX ± 0.5° | | |
| X XXX ± 0.30 X XXX ± 1° | | |
| X X ± 0.50 X X ± 2° | | |
| Description:- | | |
| FFC2B10 | | |
| Part Number:- | | |
| Date:- 13 MAY 10 | | |
| Tolerances (Except as noted) | | |
| Dimensions in mm | | |
| ROHS COMPLIANT 2011/65/EU | | |
| Deca-BDE | | |
| Halogeen Free | | |

GCT
www.gct.co

PACKING INFORMATION:

| PART NAME | W | PCS/REEL | REEL/CARTON | TOTAL | CARTON |
|-----------|------|----------|-------------|----------|---------------|
| 4~5PIN | 16.0 | 2000PCS | 10PCS | 2000PCS | 350*350*296mm |
| 6~19PIN | 24.0 | 2000PCS | 7PCS | 14000PCS | 350*350*296mm |
| 20~31PIN | 32.0 | 2000PCS | 6PCS | 12000PCS | 350*350*296mm |
| 32~54PIN | 44.0 | 2000PCS | 5PCS | 10000PCS | 350*350*296mm |
| 55~60PIN | 56.0 | 2000PCS | 4PCS | 8000PCS | 350*350*296mm |



X-ON Electronics

Largest Supplier of Electrical and Electronic Components

Click to view similar products for [FFC & FPC Connectors](#) category:

Click to view products by [GCT](#) manufacturer:

Other Similar products are found below :

[HFW11R-1STE1H1LF](#) [FH29B-100S-0.2SHW\(99\)](#) [FA5S008HP1](#) [FH29B-120S-0.2SHW\(99\)](#) [FH29B-80S-0.2SHW\(99\)](#) [FHS-16](#) [FPH-2022G](#)
[52610-1075](#) [52610-1275](#) [52610-1934](#) [XF3M\(1\)-1415-1B-R100](#) [501864-3091-TR225](#) [0525594033](#) [086210010340800](#) [086222026001800](#)
[52271-2869-CUT-TAPE](#) [62674-201121DLF](#) [62684-36210E9ALF](#) [52610-1675](#) [52746-1671-TR250](#) [10051922-2810EHLF](#) [6-520415-9](#)
[BD021-09A-A1-0350-0200-0550-LD](#) [SFV6R-1STE9HLF](#) [XF3M-2915-1B-R100](#) [1658549-1](#) [62674-221121ALF](#) [46214008010800](#)
[046298003000883](#) [151660622](#) [842-816-2630-035](#) [AYF530665TA](#) [AYF351525](#) [046296011930846+](#) [AYF352325A](#) [046254020000800+](#)
[FH19C-13S-0.5SH\(99\)](#) [FH39J-51S-0.3SHW\(99\)](#) [AYF355125A](#) [AYF530365TA](#) [FH29B-44S-0.2SHW\(99\)](#) [SFW5R-2STAE9LF](#) [AYF351125A](#)
[AYF350725A](#) [62684-502100AHLF](#) [FH39-61S-0.3SHW\(99\)](#) [AYF414035A](#) [10064555-172520HLF](#) [AYF212335A](#) [504754-2500](#)