

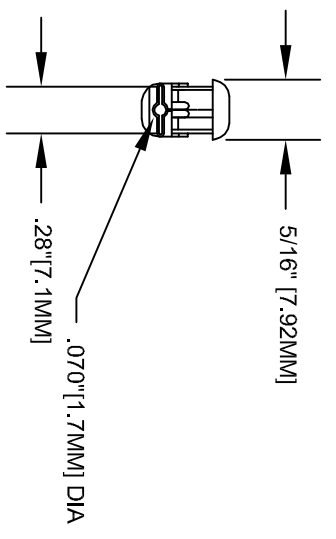
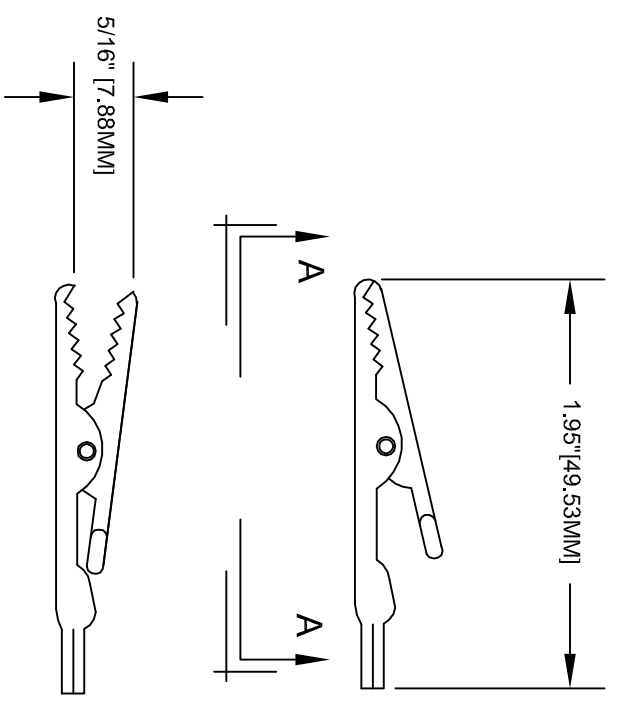
SPECCLEADS
by Silvertronix

This drawing is not to be disclosed to a third party without the authority from the company ©

Date	4-29-10	DRN BY	MEA	TITLE	ALLIGATOR CLIP STEEL W/ FORMED BARREL
MAT'L	STEEL	SCALE	NONE	CURRENT RATING:	10 AMP

ISSUE NO.	0
4-29-10	

PART NO.	502019
PROJ. NO.	



FINISH: NICKEL

ASSEMBLY NO.	PACKAGING :	PRINTING AS ILLUSTRATED	CONCENTRICITY:	ANGLES
--------------	-------------	-------------------------	----------------	--------

X-ON Electronics

Largest Supplier of Electrical and Electronic Components

Click to view similar products for [adaptive manufacturer](#):

Other Similar products are found below :

[502003_B](#) [129303/OS](#) [501849C_B](#) [501790C](#) [501996CG](#) [P1600-DK02](#) [501995](#) [501789](#) [501793C](#) [502008C](#) [501997](#) [P1601-DK02](#) [400017_B](#)
[501795](#)