


# 60x60x25 mm

## 16.0~27.0 CFM

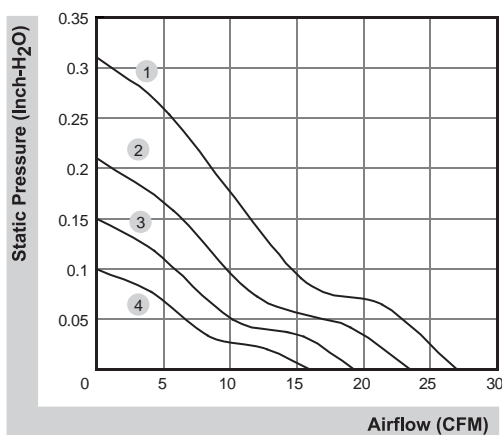


### Specifications

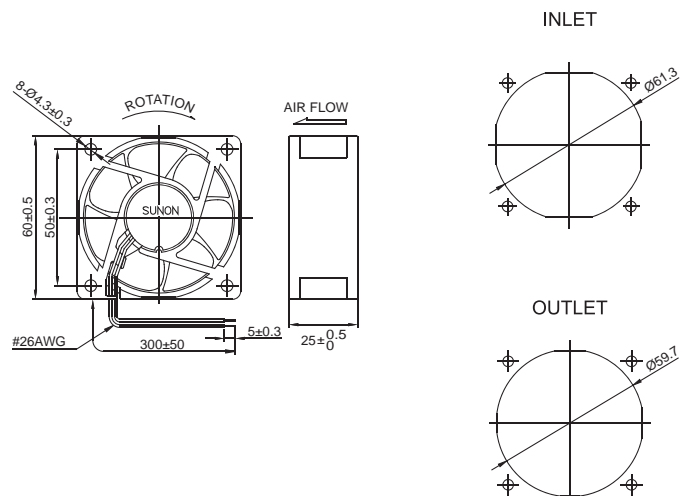
|  | Bearing | Rating Voltage | Power Current | Power Consumption | Speed | Air Flow | Static Pressure         | Noise   | Weight | Curve |
|---|---------|----------------|---------------|-------------------|-------|----------|-------------------------|---------|--------|-------|
|   | ● VAPO  | (VDC)          | (mA)          | (WATTS)           | (RPM) | (CFM)    | (Inch-H <sub>2</sub> O) | (dB(A)) | (g)    |       |
| MB60251VX-000U-A99  | ●       | 12             | 200           | 2.40              | 5200  | 27.0     | 0.31                    | 36.5    | 57.0   | 1     |
| MB60251V1-000U-A99  | ●       | 12             | 125           | 1.50              | 4500  | 23.5     | 0.21                    | 33.5    | 57.0   | 2     |
| MB60251V2-000U-A99  | ●       | 12             | 74            | 0.89              | 3800  | 19.3     | 0.15                    | 29.0    | 57.0   | 3     |
| MB60251V3-000U-A99  | ●       | 12             | 50            | 0.60              | 3100  | 16.0     | 0.10                    | 21.0    | 57.0   | 4     |
| MB60252VX-000U-A99  | ●       | 24             | 110           | 2.64              | 5200  | 27.0     | 0.31                    | 36.5    | 57.0   | 1     |
| MB60252V1-000U-A99  | ●       | 24             | 70            | 1.68              | 4500  | 23.5     | 0.21                    | 33.5    | 57.0   | 2     |
| MB60252V2-000U-A99  | ●       | 24             | 48            | 1.16              | 3800  | 19.3     | 0.15                    | 29.0    | 57.0   | 3     |
| MB60252V3-000U-A99  | ●       | 24             | 32            | 0.77              | 3100  | 16.0     | 0.10                    | 21.0    | 57.0   | 4     |

| Model              | Bearing        | Rating Voltage | Power Current | Power Consumption | Speed | Air Flow | Static Pressure         | Noise   | Weight | Curve |
|--------------------|----------------|----------------|---------------|-------------------|-------|----------|-------------------------|---------|--------|-------|
|                    | ○ 2BALL Sleeve | (VDC)          | (mA)          | (WATTS)           | (RPM) | (CFM)    | (Inch-H <sub>2</sub> O) | (dB(A)) | (g)    |       |
| EB60251S1-000U-999 | ○              | 12             | 135           | 1.62              | 4500  | 23.5     | 0.21                    | 33.5    | 55.0   | 2     |
| EB60251S2-000U-999 | ○              | 12             | 89            | 1.07              | 3800  | 19.3     | 0.15                    | 29.0    | 55.0   | 3     |
| EB60251S3-000U-999 | ○              | 12             | 64            | 0.77              | 3100  | 16.0     | 0.10                    | 21.0    | 55.0   | 4     |
| EB60252S1-000U-999 | ○              | 24             | 75            | 1.80              | 4500  | 23.5     | 0.21                    | 33.5    | 57.0   | 2     |
| EB60252S2-000U-999 | ○              | 24             | 48            | 1.16              | 3800  | 19.3     | 0.15                    | 29.0    | 57.0   | 3     |
| EB60252S3-000U-999 | ○              | 24             | 35            | 0.84              | 3100  | 16.0     | 0.10                    | 21.0    | 57.0   | 4     |

### Air Flow-Static Pressure Characteristics



### External dimensions(mm)



\*All model could be customized. Please contact with Sunon Sales.

\*Specifications are subject to change without notice. Please Visit SUNON website at <http://www.sunon.com> for update information.

## X-ON Electronics

Largest Supplier of Electrical and Electronic Components

*Click to view similar products for [sunon](#) manufacturer:*

Other Similar products are found below :

[MB50151V2-000U-A99](#) [3113HQ/MC40101V2-Q00U-S99](#) [UF3A3-700](#) [UB3H3-500](#) [PMB2475PNB3-AY.\(2\).GN](#) [KD1208PHB1.13.\(2\).GN](#)  
[KD1204PKB3 \(2\).GN](#) [GB1205PKV2-8AY.F.GN](#) [EE60251B1-000U-C99](#) [3236HQ/PF40281B1-D17U-S99](#) [A2175HBT-TC.R.GN](#) [B2-10](#)  
[SM203-13002](#) [PE80254V1-000U-A99](#) [PF92251V1-1000U-A99](#) [ME80201V2-000U-A99](#) [PE92252B1-000C-AB9](#) [MC30101V2-000C-](#)  
[A99\(165mm\)](#) [MF20100V4-1Q04C-G99](#) [PE92254B2-000C-F99](#) [MC30150V1-000C-A99](#) [PE80252B1-000C-AB9](#) [MF20060V3-1Q07A-G99](#)  
[MC25100V2-000C-G99](#) [PMD2412PMB1-A\(2\).R.GN.I55](#) [AB1123-HST.GN](#) [PF80381BX-000U-A99](#) [MF25100V1-1000U-A99](#) [PF80251V1-](#)  
[1000U-F99](#) [PF92381B1-000U-A99](#) [VF40281BX-000U-A9H](#) [40HVH120M](#) [LA004-024A83DY](#) [SM203-14001Y](#) [MF80251V1-1000U-G99](#)  
[EE60251B2-000U-999](#) [SM203-13004Y](#) [SM205-13001](#) [F92-B](#) [FG-8/45](#) [MEC0382V2-000U-A99](#) [LA004-011A99DN](#) [SF11592A-](#)  
[1092HSL.GN](#) [CF4113HBL-000U-ABD](#) [SF23092A-2092MBL.GN](#) [MF20100V1-1000U-A99](#) [DP203A-2123LBL.\(5\).GN](#) [PF40281B3-000U-](#)  
[A99](#) [LM310-001A99DN](#) [KD2406PKB2.\(2\).GN](#)