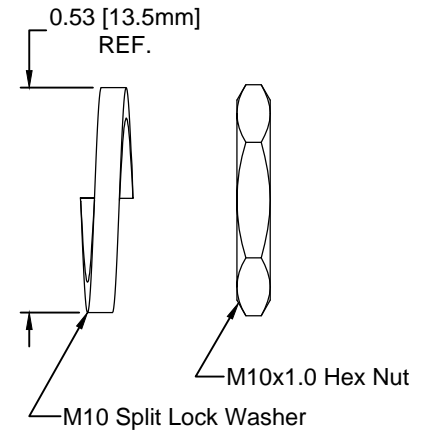
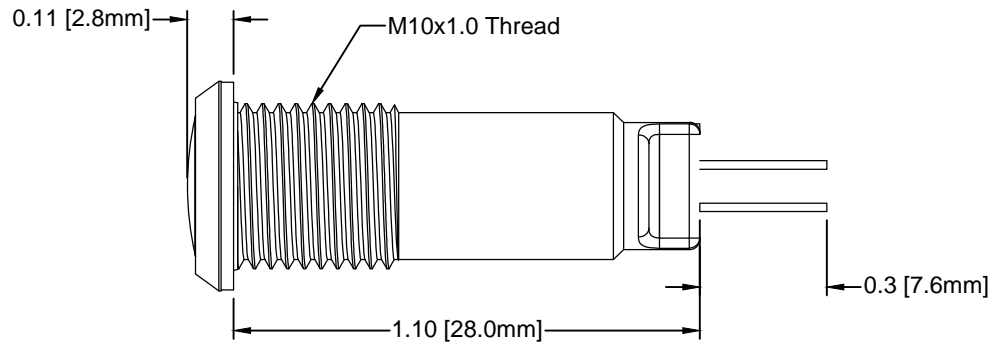
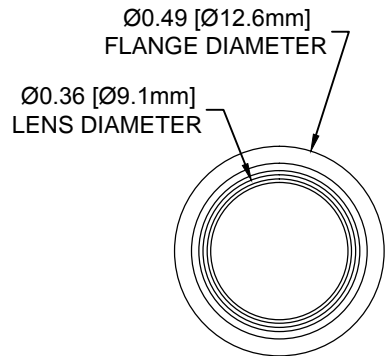
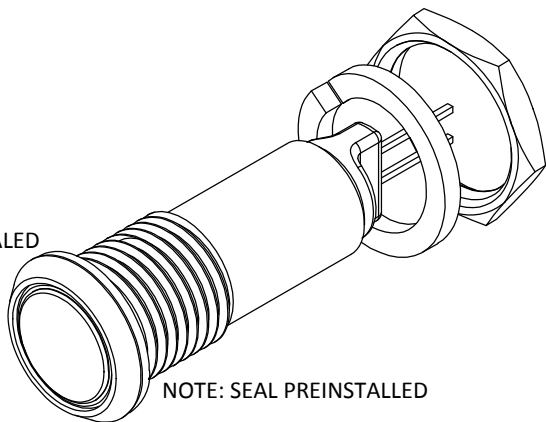


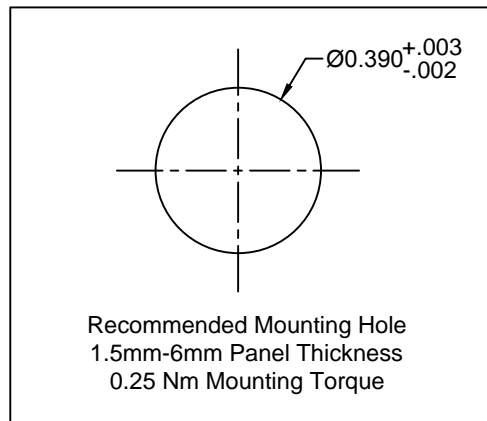
# 661 Series



NOTE: LENS SEALED TO HOUSING



NOTE: SEAL PREINSTALLED

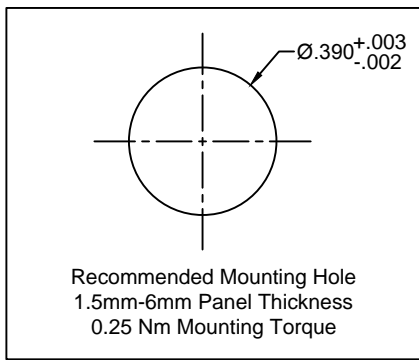
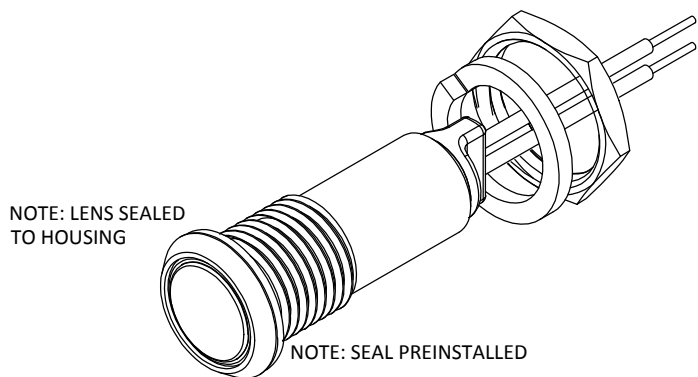
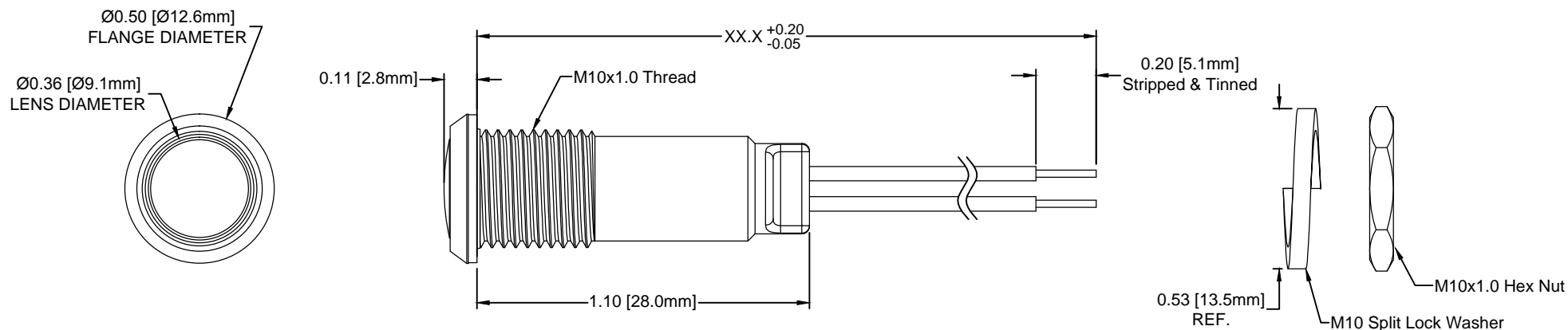


## NOTES:

1. SEALED TO IP67 RATING
2. ROHS COMPLIANT
3. MOUNTING HARDWARE SHIPPED NON-ASSEMBLED
4. BIPOLAR OPERATION
5. WIDE RANGE VOLTAGE INPUT, SEE SHEET #2

STANDARD TOLERANCE ( UNLESS OTHERWISE SPECIFIED )		<b>MARL</b>	MARL BUSINESS PARK, ULVERSTON, UK. LA12 9BN Tel: +44 (0)1229 582 430. Web: www.leds.co.uk
DECIMALS	ANGULAR		
.X ± .1	X° ± 1°		
.XX ± .02		⊕ □	<b>TITLE:</b> IP67 Rated Panel Mount Indicator
.XXX ± .010			<b>PART NO:</b> 661 Series
<b>Issue 3</b>		<b>SHEET # 1 OF 3</b>	
CAD GENERATED DOCUMENT, DO NOT MEASURE DRAWING.			

# 661 Series (Flying Leads version)



Wire specification:  
Black to UL1061  
24AWG

- NOTES:**
1. SEALED TO IP67 RATING
  2. ROHS COMPLIANT
  3. MOUNTING HARDWARE SHIPPED NON-ASSEMBLED
  4. BIPOLAR OPERATION
  5. WIDE RANGE VOLTAGE INPUT, SEE SHEET #2



STANDARD TOLERANCE ( UNLESS OTHERWISE SPECIFIED )		<b>MARL</b>	MARL BUSINESS PARK, ULVERSTON, UK. LA12 9BN Tel: +44 (0)1229 582 430. Web: www.leds.co.uk
DECIMALS	ANGULAR		
.X ± .1	X° ± 1°		
.XX ± .02		⊕ □	<b>TITLE:</b> IP67 Rated Panel Mount Indicator
.XXX ± .010			<b>PART NO:</b> 661 Series
<b>Issue 3</b>		<b>SHEET # 2 OF 3</b>	
<small>CAD GENERATED DOCUMENT, DO NOT MEASURE DRAWING.</small>			

Marl Part No.	LED Part Number	Peak Wave Length $\lambda_p$ (nm)	Emitted Colour	Lens Appearance	Electro-Optical Data @ 20mA		Viewing Angle	Termination
					Input Vf (VAC/VDC)	Lamp Iv (mcd)		
					TYP	TYP		
661-508-64	508	605	AMBER	WHITE DIFFUSED	8-48	9	120	PINS
661-508-64-40								12IN FLYING LEADS
661-520-64	520	430	BLUE	WHITE DIFFUSED	8-48	70	120	PINS
661-520-64-40								12IN FLYING LEADS
661-514-64	514	568	GREEN	WHITE DIFFUSED	8-48	11	120	PINS
661-514-64-40								12IN FLYING LEADS
661-505-64	505	645	RED	WHITE DIFFUSED	8-48	14	120	PINS
661-505-64-40								12IN FLYING LEADS
661-511-64	511	590	YELLOW	WHITE DIFFUSED	8-48	105	120	PINS
661-511-64-40								12IN FLYING LEADS

Marl Part No.	LED Part Number	Colour Temperature	Emitted Colour	Lens Appearance	Electro-Optical Data @ 20mA		Viewing Angle	Termination
					Input Vf (VAC/VDC)	Lamp Iv (mcd)		
					TYP	TYP		
661-997-64	997	5000K	NEUTRAL WHITE	WHITE DIFFUSED	8-48	210	120	PINS
661-997-64-40								12IN FLYING LEADS

## ABSOLUTE MAXIMUM RATINGS (Ta = 25°C)

MAXIMUM POWER DISSIPATION \_\_\_\_\_ 400 mW  
 OPERATING TEMPERATURE RANGE \_\_\_\_\_ -30°C ~ 85°C  
 STORAGE TEMPERATURE \_\_\_\_\_ -40°C ~ 85°C

STANDARD TOLERANCE ( UNLESS OTHERWISE SPECIFIED )		 MARL BUSINESS PARK, ULVERSTON, UK. LA12 9BN Tel: +44 (0)1229 582 430. Web: www.leds.co.uk
DECIMALS	ANGULAR	
.X ± .1 .XX ± .02 .XXX ± .010	X° ± 1°	
		TITLE: IP67 Rated Panel Mount Indicator
		PART NO: 661 Series
Issue 3		SHEET # 3 OF 3
		CAD GENERATED DOCUMENT, DO NOT MEASURE DRAWING.

## X-ON Electronics

Largest Supplier of Electrical and Electronic Components

*Click to view similar products for [marl](#) manufacturer:*

Other Similar products are found below :

[512-532-22](#) [512-532-23](#) [514-114-76](#) [661-508-64-40](#) [651-102-76](#) [671-066-75](#) [352-509-04](#) [352-505-04](#) [205-997-22-38](#) [524-521-21](#) [677-521-23-Y](#) [512-521-21](#) [671-064-75](#) [677-930-21-19](#) [209-521-23-38](#) [520-325-23](#) [651-114-21](#) [690-997-66](#) [508-930-22](#) [671-062-75](#) [525-095-21-50](#) [512-501-75](#) [531-532-63](#) [524-501-21](#) [514-111-75](#) [508-521-21](#) [520-324-23](#) [215-532-23-38](#) [671-063-23](#) [671-066-23](#) [215-532-76-38](#) [604-998-23](#) [662-303-04](#) [690-521-66](#) [671-064-23](#) [215-521-23-38](#) [677-501-22-R](#) [677-532-21-19](#) [698-532-63](#) [570-320-04-40](#) [514-105-22](#) [512-501-22](#) [570-314-04-40](#) [528-532-22](#) [528-521-22](#) [512-997-22](#) [660-320-64-40](#) [528-501-21](#) [671-290-22](#) [572-314-04](#)