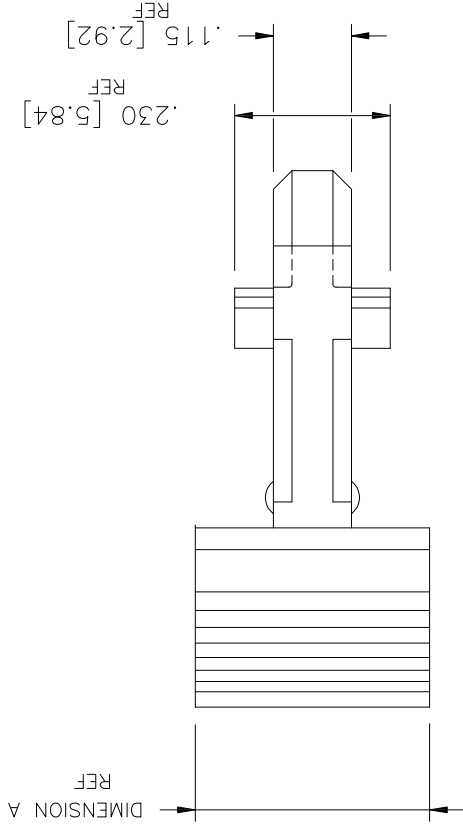
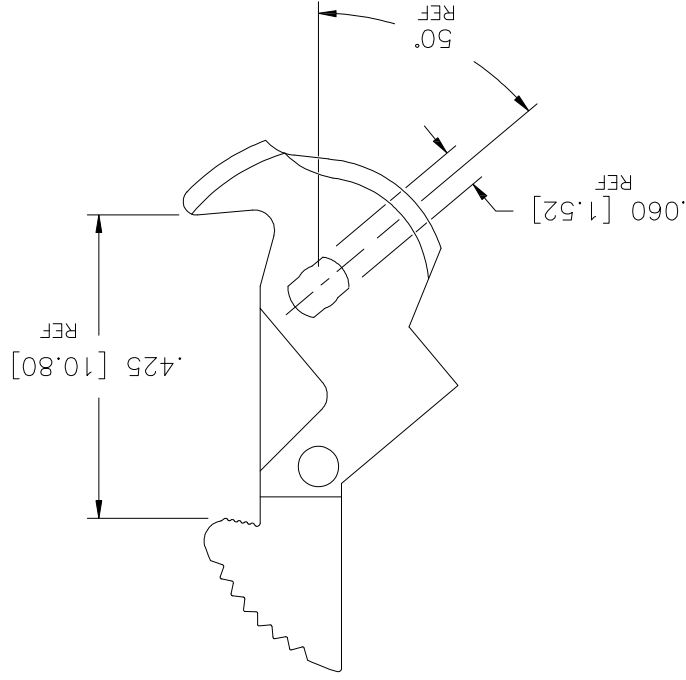


PRODUCT NUMBER	MATERIAL COLOR	MATERIAL TYPE	DIMENSION A (MM)
66177-001	BLUE	PBT	5.97
66177-002	BLACK	PBT	
66177-003	BLUE (HIGH TEMP)	PBT	
66177-004	BLACK (HIGH TEMP)	PCT	
66177-005	GRAY	PBT	
66177-006	BLUE	PBT	
66177-006	BLACK	PCT	8.80±0.20



DIMENSION A REF

- NOTE:
- 1 MOLDING MAT'L: GLASS FILLED POLYESTER, FLAME RETARDENT PER UL-94V-0. COLOR; SEE TABLE
 - 2 ADD "LF" SUFFIX AT THE END OF PART NUMBER FOR LEAD FREE OPTION.
 - 3 IF "LF" P/N THE PRODUCT MEETS EUROPEAN UNION DIRECTIVES AND OTHER COUNTRY REGULATION AS DESCRIBED IN GS-22-008.
 - 4 THE HOUSING WILL WITHSTAND EXPOSURE TO 260° PEAK TEMPERATURE FOR 15 SECONDS IN A WAVE SOLDER APPLICATION WITH A 1.5mm MINIMUM THICKNESS CIRCUIT BOARD. SEE APPLICATION NOTES/PROCEDURES IF THEY ARE AVAILABLE.

mat'l code		ISO 1302	surface	tolerance	projection	product family	QUICKIE
ltr	ecn no	dr	date	tolerances unless otherwise specified			
B	-NONE-	RDS	5/6/88	angles	linear	INCH/MM	title
C	V61149	EPK	8/16/96	xxxx+.005/0.13		SCALE 3:1	SEA-HORSE LATCH
D	N06-0027	DT	1/24/06	xxxx+.0020/0.05		scale 3:1	LOW PROFILE
E	N06-0112	LONG	4/18/06			dwg no	66177
F	ELX-N-24793	MZ	8/31/16			sheet 1 of 1	size
		engr	R. DOUTRICH	5/6/88		type	Product Customer Drawing
		chr	R. DOUTRICH	5/6/88			
		appd	R. DOUTRICH	5/6/88			
sheet	revision	F	sheet	1			
index							

X-ON Electronics

Largest Supplier of Electrical and Electronic Components

Click to view similar products for [Accessories for Robotics and RC category](#):

Click to view products by [FCT Electronics manufacturer](#):

Other Similar products are found below :

[56T705](#) [015-9516-002](#) [01.001.6453.0](#) [641763-8](#) [CW106-01X](#) [CW30101A](#) [CW31701A](#) [D2041839](#) [70.352.0628.0](#) [73.353.4028.1](#) [FB22001A](#)
[FB30601A](#) [9009030000](#) [9501](#) [121587-0026](#) [1218510-1](#) [1218629-4](#) [1218630-4](#) [1261000A00M001](#) [128-26-5](#) [RFI77-14](#) [1367251-2](#) [14](#) [1-](#)
[449604-1](#) [1460g4](#) [1470g4](#) [DV0PM20034](#) [MS27488-16-1](#) [MS3057-12A W/B](#) [MS3057-8A-624](#) [MS600-2-XP-1A](#) [MS-602-GEE-14-07C](#)
[MS603-12-01A](#) [MS90376-14R](#) [MS90376-16RB](#) [MTB1-11PH3](#) [1676610000](#) [1A9224 REV A](#) [210-115](#) [CA20L22](#) [2227383-1](#) [225-0090-000](#)
[225-0098-000](#) [KA-89-82](#) [CB20201X](#) [KC-89-104](#) [CB30601A](#) [CB31201A](#) [236-600](#) [CBC120210-752](#)