

PLEASE CHECK WWW.MOLEX.COM FOR LATEST PART INFORMATION

Part Number: [5016471000](#)
Status: **Active**
Overview: iGrid™ Wire-to-Board Dual-Row System
Description: 2.00mm Pitch iGrid™ Wire-to-Board Crimp Terminal, Female, 22-26 AWG, Reel

Documents:

[3D Model](#) [Product Specification PS-501646-001 \(PDF\)](#)
[Drawing \(PDF\)](#) [RoHS Certificate of Compliance \(PDF\)](#)

General

Product Family Crimp Terminals
 Series [501647](#)
 Application Signal
 Crimp Quality Equipment Yes
 Overview [iGrid™ Wire-to-Board Dual-Row System](#)
 Packaging Alternative [501647-1100 \(Loose\)](#)
 Product Name iGrid™
 UPC 822350087308

Physical

Durability (mating cycles max) 30
 Gender Female
 Material - Metal Copper Alloy
 Material - Plating Mating Tin
 Net Weight 76.000/mg
 Packaging Type Reel
 Termination Interface: Style Crimp or Compression
 Wire Insulation Diameter 0.95-1.50mm
 Wire Size AWG 22, 24, 26
 Wire Size mm² 0.124-0.34

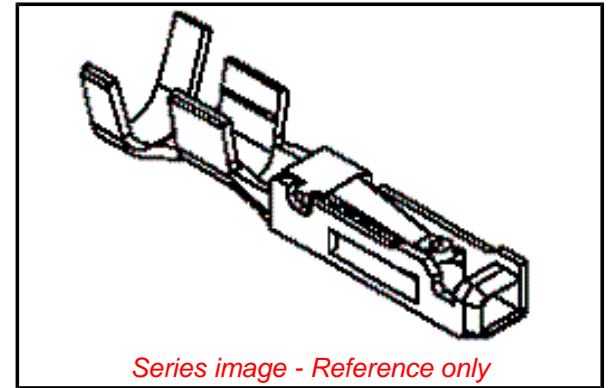
Electrical

Current - Maximum per Contact 2.0A
 Voltage - Maximum 250V AC (RMS)/DC

Material Info

Reference - Drawing Numbers

Crimp Specification [CS-501647-001](#)
 Product Specification [PS-501646-001](#), [RPS-501646-001](#), [RPS-501646-002](#),
[RPS-501646-003](#), [RPS-501646-004](#), [RPS-501646-005](#),
[RPS-501646-006](#), [RPS-501646-007](#), [RPS-501646-008](#),
[RPS-501646-011](#), [RPS-501646-012](#), [RPS-501646-013](#),
[RPS-501646-015](#), [RPS-501646-017](#), [RPS-501646-018](#)
[SD-501647-001](#)
 Sales Drawing



EU ELV

Not Relevant

EU RoHS

Compliant

REACH SVHC

Not Contained Per
 -ED/79/2015 (17
 December 2015)

Halogen-Free

Status

Low-Halogen

Need more information on product environmental compliance?

Email productcompliance@molex.com
 Please visit the [Contact Us](#) section for any non-product compliance questions.

China ROHS
 ELV

Green Image
 Not Relevant

Search Parts in this Series

[501647](#) Series

Mates With

[501645](#) Vertical Header . [501676](#) Right Angle Header

Use With

[501646](#) Receptacle Housing

Application Tooling | FAQ

Tooling specifications and manuals are found by selecting the products below. Crimp Height Specifications are then contained in the Application Tooling Specification document.

Global

Description

Product #

Hand Crimp Tool for [0638192300](#)
 2.00mm Pitch Wire-to-Board Terminals

Manual Extraction Tool	<u>0638131500</u>
T2 Terminator Tooling Die	<u>0638587000</u>
FineAdjust™ Applicator	<u>0638687000</u>

Japan	
Description	Product #

Applicator for M211A Bench Press, 22-26 AWG Wire	<u>5780213000</u>
Side-Feed Applicator for Fully-Auto Machine, 22-26 AWG Wire	<u>5780213200</u>

This document was generated on 01/28/2016

PLEASE CHECK WWW.MOLEX.COM FOR LATEST PART INFORMATION

X-ON Electronics

Largest Supplier of Electrical and Electronic Components

Click to view similar products for [molex](#) manufacturer:

Other Similar products are found below :

[1201140065](#) [90814-0008](#) [38210-0105](#) [60506-C-50](#) [69008-0971](#) [73108](#) [79516-1043](#) [72903](#) [1062837003](#) [0533241060](#) [68301-1017](#)
[03-12-1016](#) [71506-C](#) [90835-0003](#) [02-09-8104](#) [880504](#) [67490-3220](#) [387790039](#) [53254-0710](#) [85071-0017](#) [70984-4008](#) [387204903](#)
[03-12-2022](#) [783472003](#) [89674-0805](#) [514412093](#) [0026482195](#) [0191310031](#) [503308-4410](#) [02-09-6102](#) [0008650814](#) [0039000218](#) [89762-1403](#)
[89762-1542](#) [89762-1582](#) [0011404526](#) [00136](#) [0022173102](#) [0026615060](#) [CR4006A30M003](#) [0039532085](#) [58098-0628](#) [0003092041](#)
[0008520123](#) [0011030025](#) [0011184017](#) [0022162060](#) [0022552102](#) [01312](#) [M15730061](#)