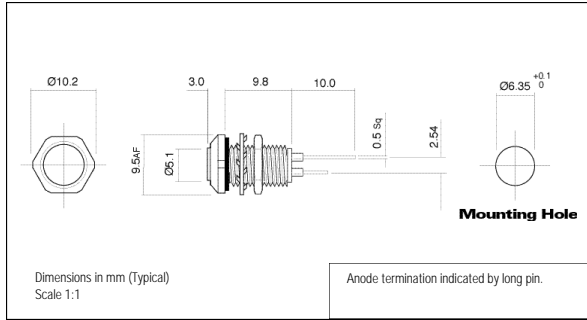




PROFESSIONAL LED INDICATORS - Ø 6.35mm Mounting



- Black anodised aluminium housing
- Unique hexagonal bezel aids mounting
- Hard anodised option to marine specification
- Sealed to IP67



662 SERIES

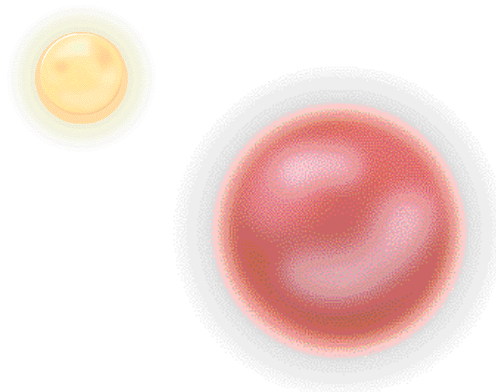
MLQ = 10

Ordering Information & Typical Technical Characteristics (Ta = 25°C)

Mean Time Between Failure = 100,000 Hours. Luminous intensity figures refer to the unmodified discrete LED.

PART NUMBER	COLOUR	LENS	VOLTAGE DC Vf@20mA	CURRENT DC Iopr	LUMINOUS INTENSITY Iv@20mA	WAVE LENGTH p	VIEWING ANGLE	OPERATING TEMP Topr	STORAGE TEMP Tstg
STANDARD INTENSITY									
662-303-04	Red	Coloured Diffused	2.0	20	100@10mA	625	Wide	-30 ~ +85	-30 ~ +85
662-309-04	Yellow		2.1	20	30@10mA	590			
662-312-04	Green		2.2	20	50@10mA	565			
HIGH INTENSITY									
662-301-04	Red	Coloured Diffused	1.9	20	850	660	Wide	-30 ~ +85	-30 ~ +85
662-325-04	Yellow		2.1	20	4400	590			
662-324-04	Green		3.4	20	3400	525			
662-934-04	Blue		3.4	20	1000	470			
662-998-04	White		3.4	20	2000	•			
UNITS			Vdc	mA	mcd	nm		°C	°C

• = Typical emission colour: x=0.31, y=0.32. Colour temperature 8000K. Intensities (Iv) and colour shades of white (x,y co-ordinates) may vary between LEDs within a batch.



- SAMPLES AVAILABLE
- CUSTOM DESIGN SERVICE
- ISO 9001: 1994 APPROVED
- LED PRODUCTS CAN BE STATIC SENSITIVE
- FOR NEW PRODUCTS SEE OUR WEBSITE

Telephone +44 (0)1229 582430 • Fax: +44 (0)1229 585155 • email: sales@marl.co.uk • website: www.marl.co.uk • website: www.marl-leds.com

X-ON Electronics

Largest Supplier of Electrical and Electronic Components

Click to view similar products for [marl](#) manufacturer:

Other Similar products are found below :

[512-532-22](#) [512-532-23](#) [514-114-76](#) [661-508-64-40](#) [651-102-76](#) [671-066-75](#) [352-509-04](#) [352-505-04](#) [205-997-22-38](#) [524-521-21](#) [677-521-23-Y](#) [512-521-21](#) [671-064-75](#) [677-930-21-19](#) [209-521-23-38](#) [520-325-23](#) [651-114-21](#) [690-997-66](#) [508-930-22](#) [671-062-75](#) [525-095-21-50](#) [512-501-75](#) [531-532-63](#) [524-501-21](#) [514-111-75](#) [508-521-21](#) [520-324-23](#) [215-532-23-38](#) [671-063-23](#) [671-066-23](#) [215-532-76-38](#) [604-998-23](#) [662-303-04](#) [690-521-66](#) [671-064-23](#) [215-521-23-38](#) [677-501-22-R](#) [677-532-21-19](#) [698-532-63](#) [570-320-04-40](#) [514-105-22](#) [512-501-22](#) [570-314-04-40](#) [528-532-22](#) [528-521-22](#) [512-997-22](#) [660-320-64-40](#) [528-501-21](#) [671-290-22](#) [215-930-23-38](#)