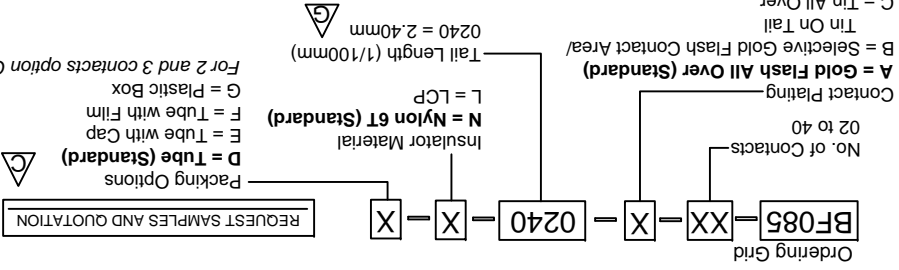
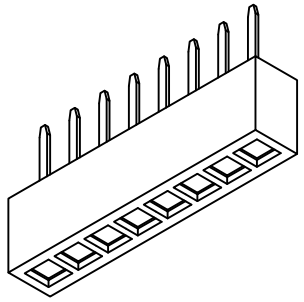
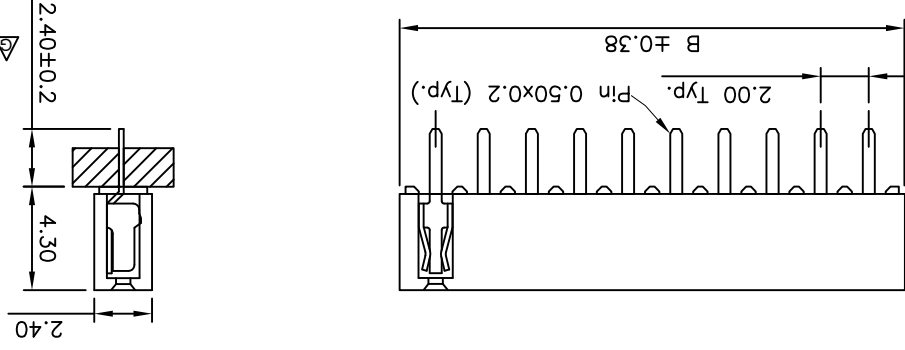


RECOMMENDED PCB LAYOUT



SPECIFICATIONS 规格
 CURRENT RATING 电流额定值: 2 AMP
 INSULATOR RESISTANCE 绝缘电阻值: 1000 MEGOHMS MIN.
 CONTACT RESISTANCE 接触电阻值: 20 MOHMS MAX.
 DIELECTRIC WITHSTANDING 耐电压: AC 500 V
 OPERATING TEMPERATURE 工作温度: -40°C TO +105°C
 CONTACT MATERIAL 端子物料: PHOSPHOR BRONZE
 INSULATOR MATERIAL 绝缘体物料:
 STANDARD 标准物料: POLYAMIDE 聚酰胺, NYLON 6T, UL 94-V0
 OPTIONS 可选物料: POLYESTER 聚酯, LCP, UL 94-V0
 SOLDERING PROCESS 可焊性:
 NYLON 6T (STANDARD 标准物料) -
 IR REFLOW 回流焊: 260°C for 10 sec.
 WAVE 波峰焊: 230°C for 5-10 sec.
 MANUAL SOLDER 人工焊接: 350°C for 3-5 sec
 LCP (OPTION 可选物料) -
 IR REFLOW 回流焊: 260°C for 10 sec.
 WAVE 波峰焊: 250°C for 5-10 sec.
 MANUAL SOLDER 人工焊接: 350°C for 3-5 sec
 MATES WITH 配套之母座 (SUBJECT TO PIN LENGTH 在端子长度适合的条件下):
 BF040 BF020 BF021 BF025 BF035 BF036

CONTACTS		DIMENSIONS	
A	B	A	B
2	4.6	2.0	4.0
3	6.6	4.0	6.0
4	8.6	6.0	8.0
5	10.6	8.0	10.0
6	12.6	10.0	12.0
7	14.6	12.0	14.0
8	16.6	14.0	16.0
9	18.6	16.0	18.0
10	20.6	18.0	20.0
11	22.6	20.0	22.0
12	24.6	22.0	24.0
13	26.6	24.0	26.0
14	28.6	26.0	28.0
15	30.6	30.0	32.0
16	32.6	32.0	34.0
17	34.6	34.0	36.0
18	36.6	36.0	38.0
19	38.6	38.0	40.0
20	40.6	40.0	42.0
21	42.6	42.0	44.0
22	44.6	44.0	46.0
23	46.6	46.0	48.0
24	48.6	48.0	50.0
25	50.6	50.0	52.0
26	52.6	52.0	54.0
27	54.6	54.0	56.0
28	56.6	56.0	58.0
29	58.6	58.0	60.0
30	60.6	60.0	62.0
31	62.6	62.0	64.6
32	64.6	64.0	66.6
33	66.6	66.0	68.6
34	68.6	68.0	70.6
35	70.6	70.0	72.6
36	72.6	72.0	74.6
37	74.6	74.0	76.6
38	76.6	76.0	78.6
39	78.6	78.0	80.6
40	80.6	80.0	

DATE	REV	DETAIL	BY
31/10/07	A	DRAWING RELEASE	LTH
09/03/09	B	AMENDED TO VERTICAL ONLY	PN
27/04/09	C	PACKING OPTIONS CHANGED	CB
05/08/09	D	CHANGE TO SOLDER TEMP. INFORMATION	DR
08/12/09	E	AMENDMENT TO STANDARD DIMENSIONS	SA
19/10/11	F	ECN: 828 SELECTABLE LENGTH REMOVED	CM
25/07/12	G		AJO



Third Angle Projection	Tolerances (Except as noted)	Dimensions in mm
X.XXX ± 0.10	X.X ± 0.30	X.X ± 0.20
XX ± 0.5°	X° ± 5°	X° ± 2°
XX ± 0.15	X ± 0.15	X ± 0.15

Part Number:-	Description:-	Scale
BF085	2.0mm PITCH SOCKET, SINGLE ROW, THROUGH HOLE, VERTICAL	1:1
Date:-	31 OCT 07	

Sheet No.	E & OE	Material	Revision	Scale	NTS	G	See Note	LTH	Drawn by	8
1/1										



www.globalconnectortechology.com

X-ON Electronics

Largest Supplier of Electrical and Electronic Components

Click to view similar products for [FFC & FPC Connectors](#) category:

Click to view products by [GCT](#) manufacturer:

Other Similar products are found below :

[HFW11R-1STE1H1LF](#) [FH29B-100S-0.2SHW\(99\)](#) [FA5S008HP1](#) [FH29B-120S-0.2SHW\(99\)](#) [FH29B-80S-0.2SHW\(99\)](#) [FHS-16](#) [FPH-2022G](#)
[52610-1075](#) [52610-1275](#) [52610-1934](#) [XF3M\(1\)-1415-1B-R100](#) [501864-3091-TR225](#) [0525594033](#) [086210010340800](#) [086222026001800](#)
[52271-2869-CUT-TAPE](#) [62674-201121DLF](#) [62684-36210E9ALF](#) [52610-1675](#) [52746-1671-TR250](#) [10051922-2810EHLF](#) [6-520415-9](#)
[BD021-09A-A1-0350-0200-0550-LD](#) [SFV6R-1STE9HLF](#) [XF3M-2915-1B-R100](#) [1658549-1](#) [62674-221121ALF](#) [46214008010800](#)
[046298003000883](#) [151660622](#) [842-816-2630-035](#) [AYF530665TA](#) [AYF351525](#) [046296011930846+](#) [AYF352325A](#) [046254020000800+](#)
[FH19C-13S-0.5SH\(99\)](#) [FH39J-51S-0.3SHW\(99\)](#) [AYF355125A](#) [AYF530365TA](#) [FH29B-44S-0.2SHW\(99\)](#) [SFW5R-2STAE9LF](#) [AYF351125A](#)
[AYF350725A](#) [62684-502100AHLF](#) [FH39-61S-0.3SHW\(99\)](#) [AYF414035A](#) [10064555-172520HLF](#) [AYF212335A](#) [504754-2500](#)