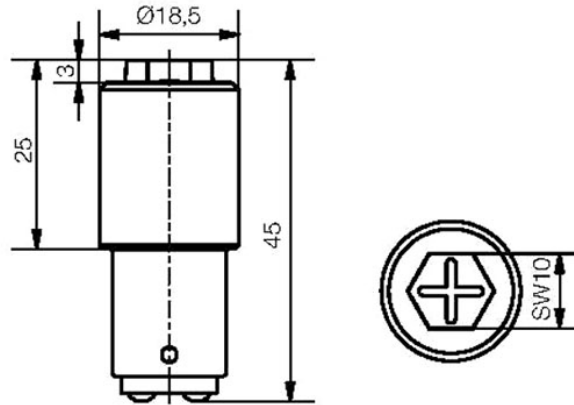


PRODUCT DATA SHEET



T-6 (T18.5MM) LED PILOT LAMP – BA15D

MBRD150864



All dimensions in mm

Design Voltage:	VDC VAC	24 - 28	
Current Consumption:	mA	40	
Power Consumption	mW	1000	
Light Output:	mcd	1800	
Light Distribution: Radial (side viewing)	LEDs arranged in segments at intervals of 90 degrees. The emitted light is reflected by the surrounding surface, giving a relatively even lateral light emission of 360° across the segment length of 20mm.		
Colour Appearance:	White		
LED Type:	SMD x 8		
Operating Temperature:	°C	-20 / +60	
Storage Temperature:	°C	-25 / +80	
Life Duration (@24V)	Hours	20,000	

Notes:

- 1) BA15d base to IEC61-1, data sheet 7004-11A-x.
- 2) LED type: Surface Mount, InGaN + phosphor.
- 3) Materials: Housing – PC transparent / UL94: V-2; Distance piece – PC white colour / UL94: V-2.
- 4) Operating Voltage: 24~28VAC / DC, bi-polarity with integrated over-voltage protection.
- 5) Life Duration figure represents time to 50% reduction in light output compared with initial value.
- 6) RoHS compliant.

X-ON Electronics

Largest Supplier of Electrical and Electronic Components

Click to view similar products for [clandell](#) manufacturer:

Other Similar products are found below :

[LB3002006NWF](#) [MBRD150864](#)