

PLEASE CHECK WWW.MOLEX.COM FOR LATEST PART INFORMATION

Part Number: [5011902027](#)
Status: **Active**
Overview: Pico-Clasp™ Wire-to-Board Connectors
Description: 1.00mm Pitch Pico-Clasp™ Wire-to-Board PCB Header, Dual Row, Vertical, 20 Circuits, without Pick-and-Place Tape

Documents:

[3D Model](#) [Product Specification PS-501190-004 \(PDF\)](#)
[Drawing \(PDF\)](#) [RoHS Certificate of Compliance \(PDF\)](#)
[Product Specification PS-501190-001 \(PDF\)](#)

Agency Certification

UL E29179

General

Product Family PCB Headers
 Series 501190
 Application Signal, Wire-to-Board
 Comments Without Pick-and-Place Tape
 Overview [Pico-Clasp™ Wire-to-Board Connectors](#)
 Product Name Pico-Clasp™
 UPC 822350003643

Physical

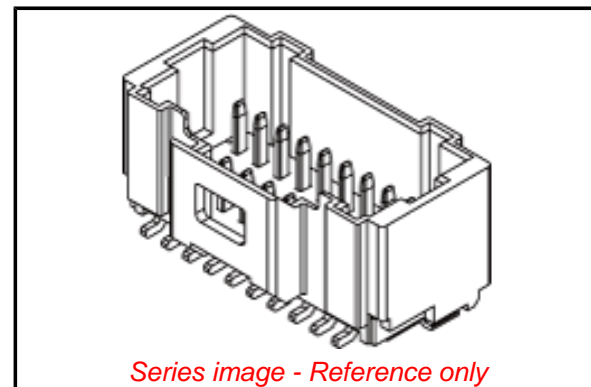
Breakaway No
 Circuits (Loaded) 20
 Circuits (maximum) 20
 Color - Resin Natural
 Durability (mating cycles max) 30
 Flammability 94V-0
 Glow-Wire Compliant No
 Lock to Mating Part Yes
 Material - Metal Phosphor Bronze
 Material - Plating Mating Gold
 Material - Plating Termination Gold
 Material - Resin Nylon
 Net Weight 315.600/mg
 Number of Rows 2
 Orientation Vertical
 PCB Locator No
 PCB Retention Yes
 Packaging Type Embossed Tape on Reel
 Pitch - Mating Interface 1.00mm
 Polarized to Mating Part Yes
 Polarized to PCB Yes
 Robotic Placement Vacuum Pick-Up Tape
 Stackable No
 Temperature Range - Operating -40°C to +105°C
 Termination Interface: Style Surface Mount

Electrical

Current - Maximum per Contact 1.0A
 Voltage - Maximum 50V

Material Info

Reference - Drawing Numbers



Series image - Reference only

EU ELV

Not Relevant

EU RoHS

Compliant

REACH SVHC

Yes -ED/39/2015 (15 June 2015)
 Acetamide, N-methyl-dinoseb (ISO)
 furan
 C,C'-azodi(formamide)
 tricosafuorododecanoic acid
 heptacosafuorotetradecanoic acid
 methoxyacetic acid
 1,2-diethoxyethane
 hencosafluoroundecanoic acid
 sodium
 peroxometaborate
 pentacosafuorotridecanoic acid
 3-ethyl-2-methyl-2-(3-methylbutyl)-1,3-oxazolidi
 Disodium tetraborate
 Boric acid
 Trixylyl phosphate
 4-(1,1,3,3-tetramethylbutyl)phenol, ethoxylated
 Methylhexahydrophthalic anhydride
 Sodium perborate; perboric acid, sodium salt
 Silicic acid (H₂Si₂O₅), barium salt (1:1), lead-
 Trichloroethylene
 1,2,3-Trichloropropane

China RoHS

Product Specification

Sales Drawing

PS-501190-001, PS-501190-004, RPS-501190-001,
RPS-501190-008, RPS-501190-010, RPS-501190-011,
RPS-501190-012, RPS-501331-001
SD-501190-003, SD-501190-004

1,2-dichloroethane
1-bromopropane
Tris(2-chloroethyl)
phosphate
Boric acid, disodium
salt, hydrate
formamide
4,4'-
bis(dimethylamino)benzophenone
N,N,N',N'-
tetramethyl-4,4'-
methyldianiline
1,2-bis(2-
methoxyethoxy)ethane
[4-[4,4'-
Bis(dimethylamino)benzhydrylidene]cyclo
4,4'-
bis(dimethylamino)-4''-
(methylamino)trityl
Diboron-trioxide
[4-[[4-Anilino-1-
naphthyl][4-
(dimethylamino)phen
#,#-Bis[4-
(dimethylamino)phenyl]-4
(phenylamino)
diethyl sulphate
propylene oxide

Halogen-Free

Status

Not Low-Halogen

**Need more information on product
environmental compliance?**

Email productcompliance@molex.com
Please visit the [Contact Us](#) section for any
non-product compliance questions.

China ROHS
ELV

Green Image
Not Relevant

Search Parts in this Series

[501190](#) Series

Mates With

[501189](#) Pico-Clasp™ Wire-to-Board Female
Housing

This document was generated on 12/07/2015

PLEASE CHECK WWW.MOLEX.COM FOR LATEST PART INFORMATION

X-ON Electronics

Largest Supplier of Electrical and Electronic Components

Click to view similar products for [Headers & Wire Housings](#) category:

Click to view products by [Molex](#) manufacturer:

Other Similar products are found below :

[95000-104TRLF](#) [10135584-644402LF](#) [DF62W-EP2022PCA](#) [95000-106TRLF](#) [DF62W-2022SCA](#) [DF62W-EP2022PC](#) [2203348](#) [DF62W-2022SC](#) [1084018](#) [1029039](#) [1084017](#) [802-10-012-10-002000](#) [1112640](#) [1112639](#) [891-007-9SS-BST1T](#) [000-34000](#) [0008550134](#) [0009482033](#) [0009507031](#) [57102-F02-18ULF](#) [57102-S06-03LF](#) [57202-S52-04LF](#) [PCN6-15S-2.5E](#) [0039019024](#) [58102-G61-06LF](#) [582553-1](#) [0009485154](#) [0009508121](#) [0022285053](#) [0050291907](#) [018731A](#) [LY20-4P-DT1-P1E-BR](#) [02.125.8002.8](#) [60101931](#) [60598-1 \(Cut Strip\)](#) [M1625-3R/100](#) [61062-3](#) [61082-181009](#) [CSU011177004](#) [636-1427](#) [638009-1](#) [641938-9](#) [641991-4](#) [644168-1](#) [644827-2](#) [647662-1](#) [65039-019ELF](#) [65692-001LF](#) [65781-018](#) [65781-047](#)