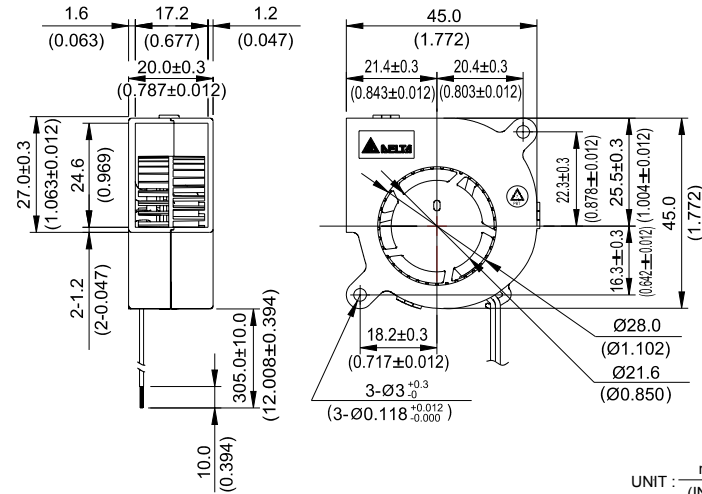
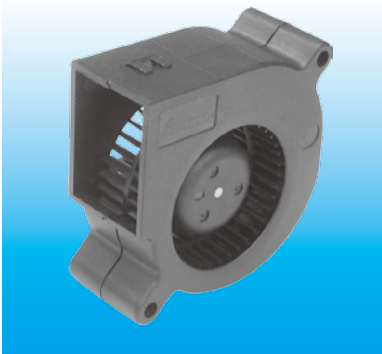


# BFB 45 x 45 x 20 MM SERIES

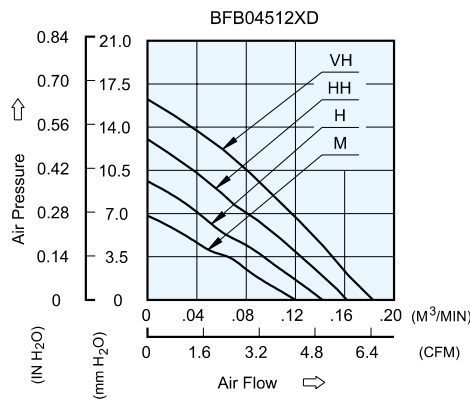
## DIMENSIONS DRAWING



UNIT :  $\frac{\text{mm}}{\text{(INCH)}}$

- \* Bearing Type  
Ball Bearings
- \* Material  
Impeller & Frame : Plastic (UL 94V-0)
- \* Lead Wires :  
UL 1571 AWG #28 OR Equivalent  
Red Wire Positive(+)  
Black Wire Negative(-)
- \* Weight : 17g (0.60 oz)

## P & Q CURVE (AT RATED VOLTAGE)



| MODEL       |             | Rated Voltage | Operating Voltage Range | Input Current | Input Power | Speed  | Maximum Air Flow    |      | Maximum Air Pressure |                     | Noise |
|-------------|-------------|---------------|-------------------------|---------------|-------------|--------|---------------------|------|----------------------|---------------------|-------|
| PART NO.    | FUNCTION    | VDC           | VDC                     | Amp           | Watt        | R.P.M. | m <sup>3</sup> /min | CFM  | mmH <sub>2</sub> O   | IN H <sub>2</sub> O | dB-A  |
| BFB04512MD  | -R00 / -F00 | 12            | 5.0 to 13.8             | 0.07          | 0.84        | 3300   | 0.120               | 4.24 | 6.83                 | 0.269               | 21.0  |
| BFB04512HD  | -R00 / -F00 | 12            | 5.0 to 13.8             | 0.10          | 1.20        | 3800   | 0.139               | 4.91 | 9.29                 | 0.366               | 24.5  |
| BFB04512HHD | -R00 / -F00 | 12            | 5.0 to 13.8             | 0.13          | 1.56        | 4200   | 0.161               | 5.68 | 12.95                | 0.510               | 28.0  |
| BFB04512VHD | -R00 / -F00 | 12            | 5.0 to 13.8             | 0.15          | 1.80        | 4500   | 0.170               | 6.01 | 14.15                | 0.557               | 30.5  |

- \* Function type is optional.
- \* The max. air flow and the speed are measured in free air ; max. air pressure is measured at zero air flow.
- \* Noise is measured in anechoic chamber in free air, one meter from intake side.
- \* All readings are typical values at rated voltage.
- \* Specifications are subject to change without notice.

## X-ON Electronics

Largest Supplier of Electrical and Electronic Components

*Click to view similar products for [Blowers & Centrifugal Fans](#) category:*

*Click to view products by [Delta](#) manufacturer:*

Other Similar products are found below :

[MKEL-DRB](#) [AIF60111](#) [AIF60112](#) [AIF62112](#) [AIF801724](#) [AIF82111](#) [AIF82112](#) [DOP-EXI014RAE](#) [BR300W100](#) [BR300W400](#)  
[KFC1048DS-S45D](#) [AIF64111](#) [AIF641714](#) [AIF802714](#) [CME-COP01](#) [R2E180CH0312](#) [D2E160-AH02-15](#) [TP04G-AS2](#) [TP05G-BT2](#) [TP-PCC](#)  
[BR200W250](#) [DFD0612H/SPECTRA](#) [DOP-EXI028RAE](#) [ENA01-MOD](#) [ENA01-EIP](#) [2234000A001-055](#) [2234000A00J000](#) [1396000K911-039](#)  
[1319013K66E000](#) [1316037K66E000](#) [1301037K00E000](#) [1301037G00E002](#) [TP08G-BT2](#) [1232000A00E000](#) [1213000A07E000](#) [55442.40890](#)  
[55462.19140](#) [G2E140-AG02-05](#) [55410.91750](#) [R2E190-RA18-96](#) [R2E225-RA02-47](#) [AB1212LB-Y01](#) [R4D450-AK03-05](#) [RLF100-11/14/19](#)  
[BFB04512HD-R00](#) [G2D140-AC30-18](#) [R2E225-AB05-05](#) [M39012/24-0001](#) [K2E220-RA38-09](#) [55462.40760](#)