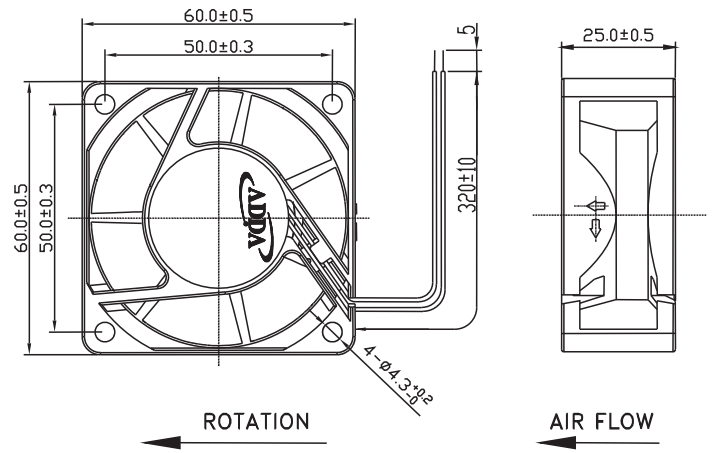




AD6025GP SERIES



External Dimensions



Frame: Plastic(UL:94V-0)
 Impeller: Plastic(UL:94V-0)
 Lead wire: UL1007AWG24

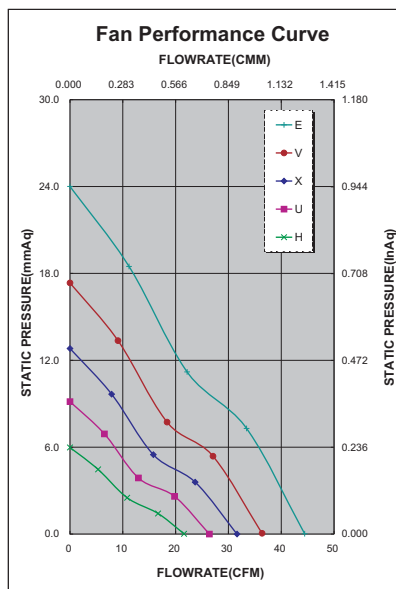
Specifications(Nominal)

*: Noise is measured at the distance of one (1) meter from the axis of intake.

Bearing type: ◎=Ball ※=Sleeve ●=Hydro bearing

Frame size (mm)	Model No.	Bearing System Type	Rated Voltage (VDC)	Current (A)	Power (W)	Rated Speed (rpm)	Maximum AirFlow (CMM)	Maximum AirFlow (CFM)	Maximum Pressure (InAq)	Maximum Pressure (mmAq)	*Noise Level (dB/A)	Weight (g)
60x60x25	AD0612HB-A71GP(P)	◎	12	0.11	1.32	4500	0.611	21.597	0.235	5.969	35.3	77.0
	AD0612UB-A71GP(P)	◎	12	0.22	2.64	5500	0.752	26.566	0.347	8.813	41.4	
	AD0612XB-A71GP(P)	◎	12	0.28	3.60	6500	0.899	31.770	0.489	12.420	44.3	
	AD0612VB-A71GP(P)	◎	12	0.38	4.56	7500	1.056	37.310	0.688	17.475	50.0	
	AD0612EB-A71GP(PCU)	◎	12	0.60	7.20	9000	1.256	44.400	0.945	24.003	52.5	
	AD0624HB-A71GP(P)	◎	24	0.08	1.92	4500	0.611	21.597	0.235	5.969	35.3	
	AD0624UB-A71GP(P)	◎	24	0.11	2.64	5500	0.752	26.566	0.347	8.813	41.4	
	AD0624XB-A71GP(P)	◎	24	0.14	3.36	6500	0.899	31.770	0.489	12.420	44.3	
	AD0624VB-A71GP(P)	◎	24	0.20	4.80	7500	1.056	37.310	0.688	17.475	50.0	
	AD0624EB-A71GP(PCU)	◎	24	0.28	6.72	9000	1.256	44.400	0.945	24.003	52.5	
	AD0648HB-A71GP(P)	◎	48	0.04	1.92	4500	0.611	21.597	0.235	5.969	35.3	
	AD0648UB-A71GP(P)	◎	48	0.06	2.88	5500	0.752	26.566	0.347	8.813	41.4	
	AD0648XB-A71GP(P)	◎	48	0.07	3.36	6500	0.899	31.770	0.489	12.420	44.3	
	AD0648VB-A71GP(P)	◎	48	0.09	4.32	7500	1.056	37.310	0.688	17.475	50.0	

Specifications subject to change without notice.



*Motor protective circuit and third lead wire functions

0	1	2	3	4	6	7	8	9	A	B
	✓	✓	✓						✓	✓

*Safety approvals

✓	✓			✓	✓

X-ON Electronics

Largest Supplier of Electrical and Electronic Components

Click to view similar products for [adda manufacturer](#):

Other Similar products are found below :

[AD0305LX-K70-LF](#) [AD0424HB-C50-LF](#) [664-P4505MX-G90-LF](#) [AD0424HX-G70](#) [AD0205MX-G50GL-LF](#) [AD1224HX-A71GL-LF](#)
[AD0712MB-A76GL-LF](#) [AD1212HB-A71GL-LF](#) [AD0912HB-A73GL-LF](#) [AB05012DX-200300](#) [AD0505LB-G70\(T1\)](#) [AA8382HB-AT-LF](#)
[AD08024HX-257004-LF](#) [AD1248HB-F51\(FN\)](#) [AA1281MB-AT-LF](#) [AA1281UX-AT-LF](#) [AD1248HB-F51-LF](#) [AD0505LB-G70\(8\)-LF](#)
[AA8382MX-AT-LF](#) [FG92-W2](#) [AD0412LB-C71GP](#) [AD08024UX257304-LF](#) [AD0405MB-C50-LF](#) [AD0205LB-G50GL-LF](#) [AD0812HB-C70-](#)
[LF](#) [AD0612MX-A70GL-LF](#) [AK1782HB-AT-LF](#) [AD1212HB-Y53-LF](#) [026022D](#) [AD0412HX-C50-LF](#) [AP0412MX-J70-LF](#) [AB3505MX-](#)
[QB0-LF](#) [AD0924UB-A71GL-LF](#) [AD0712UB-A76GL-LF](#) [AD0924HB-C70-LF](#) [AD0412HB-G76-LF](#) [AD0624HB-A70GL\(T\)](#) [AD7524UB-LF](#)
[AS12024UB25A100](#) [AD0912HX-A70GL-LF](#) [AD1224HX-F51-LF](#) [AQ1212LB-A71GL-LF](#) [AD0412DB-C50](#) [AS12012MB-25A100-LF](#)
[AK1781HB-AW-LF](#) [AD1212XB-A7BGL-LF](#) [AD0405LB-G70](#) [AD0612XB-A71GP](#) [AB1224MB-Y01-LF](#) [AD0205DX-K50-LF](#)