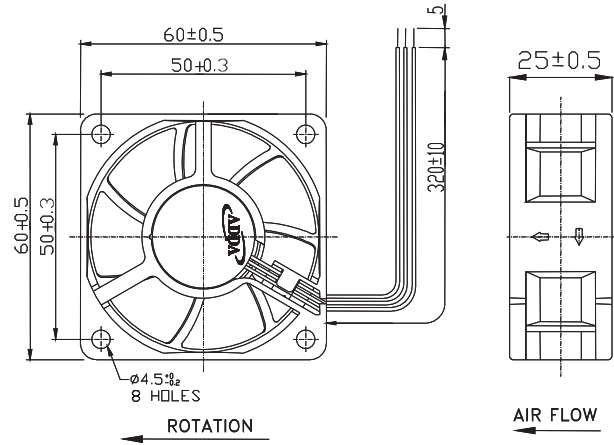




# AD6025(T) SERIES

## External Dimensions



Frame: Plastic (UL:94V-0)  
 Impeller: Plastic (UL:94V-0)  
 Lead wire: UL1007AWG24

## Specifications(Nominal)

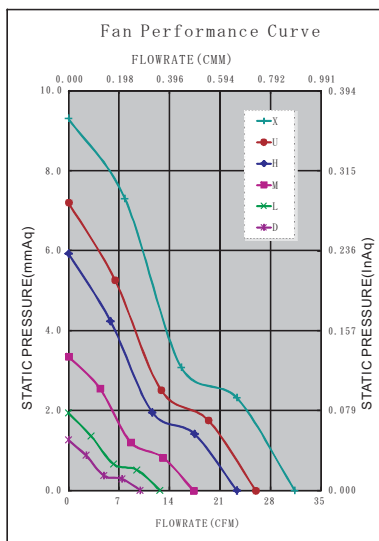
\*Noise is measured at the distance of one (1) meter from the axis of intake.

Bearing type: ○=Ball ※=Sleeve ●=Hypro bearing

Frame size (mm)	Model No.	Bearing System Type	Rated Voltage (VDC)	Current (A)	Power (W)	Rated Speed (rpm)	Maximum AirFlow (CMM)	Maximum AirFlow (CFM)	Maximum Pressure (InAq)	Maximum Pressure (mmAq)	*Noise Level (dB/A)	Weight (g)
60x60x25	AD06005LB257000	○ ※ ●	5	0.07	0.35	2500	0.360	12.710	0.080	1.930	15.9	53.0
	AD06005MB257000	○ ※ ●	5	0.14	0.70	3500	0.490	17.340	0.130	3.330	26.9	
	AD06005HB257000	○ ※ ●	5	0.28	1.40	4500	0.660	23.340	0.230	5.920	33.8	
	AD06012DB257000	○ ※ ●	12	0.03	0.36	2000	0.280	9.980	0.050	1.240	12.4	
	AD06012LB257000	○ ※ ●	12	0.04	0.48	2500	0.360	12.710	0.080	1.930	15.9	
	AD06012MB257000	○ ※ ●	12	0.06	0.72	3500	0.490	17.340	0.130	3.330	26.9	
	AD06012HB257000	○ ※ ●	12	0.12	1.44	4500	0.660	23.340	0.230	5.920	33.8	
	AD06012UB257000	○ ※ ●	12	0.18	2.16	5000	0.740	25.970	0.280	7.190	37.1	
	AD06024MB257000	○ ※ ●	24	0.03	0.72	3500	0.490	17.340	0.130	3.330	26.9	
	AD06024HB257000	○ ※ ●	24	0.06	1.44	4500	0.660	23.340	0.230	5.920	33.8	
	AD06024UB257000	○ ※ ●	24	0.08	1.92	5000	0.740	25.970	0.280	7.190	37.1	
	AD06024XB257000	○ ※ ●	24	0.14	3.36	6000	0.890	31.380	0.370	9.300	42.8	

Specifications subject to change without notice.

The specification for bearing type is for reference only, for more bearing types information, please contact with your ADDA sales representative, thanks!! (網頁上呈現產品軸承資訊均以2Ball為主, 若需其他產品資訊請聯絡您在ADDA的業務代表, 謝謝!!)



\*Motor protective circuit and third lead wire functions

0	1	2	3	4	6	7	8	9	A	B
✓					✓					

\*Safety approvals

✓	✓		✓	✓

## X-ON Electronics

Largest Supplier of Electrical and Electronic Components

*Click to view similar products for [DC Fans](#) category:*

*Click to view products by [ADDA](#) manufacturer:*

Other Similar products are found below :

[614R](#) [6424/2HP-210](#) [8312R](#) [DV4118/2NP-183](#) [AFB0948HH-S687](#) [PFB0824DHE-8B72](#) [G2E085-AA05-10](#) [RD20S-4/210660](#) [4318/12T](#)  
[4418HH](#) [AUB0912H-F00](#) [3412N/2ME](#) [K2E225-RA92-09](#) [4184N/2XR](#) [5214N2HH](#) [614J2HHPR-010](#) [8412NGL-12](#) [4114N/12HHR-297](#)  
[4656](#) [ZWR-903](#) [4112N12GL-175](#) [KD2406PKB2.\(2\).GN](#) [AFB1248HHE](#) [AFB1212LE-F00](#) [FAN-SCH-1](#) [MF60151V1-1000U-G99](#)  
[PF80252V1-1000U-G99](#) [PF92252V1-1000U-G99](#) [4112N/2H6P](#) [4114N/17-251](#) [6212NH](#) [622/2N](#) [712F-011](#) [8218J/2NP-181](#) [W1G180-AB47-](#)  
[15](#) [FAA1-12038NBKW31-A](#) [6318N/2TDP](#) [6318N/2H3PU](#) [6318HU](#) [424JMU](#) [PMD1206PTVX-A.U.GN](#) [PF80251B2-000U-F99](#)  
[EF40101BX-1000U-G99](#) [AD1224LB-A71GL](#) [9GA0924L4021](#) [9GA0924M4021](#) [9GA0924M4011](#) [9GA0824B20011](#) [9GA0812A2D0011](#)  
[9GA0912M4D011](#) [9GA0924W4D01](#)