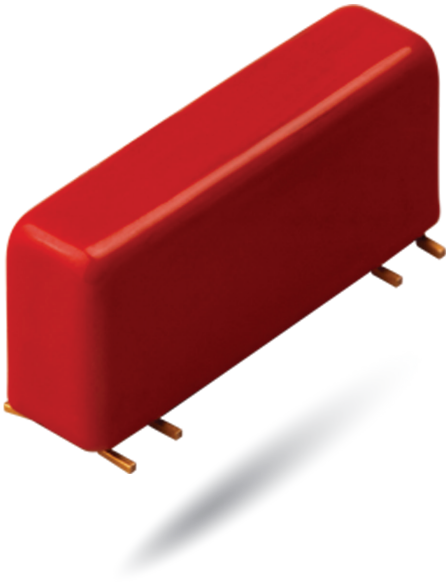


2362 SMD 2 FORM C REED RELAY



2362 Series SMD 2 Form C Reed Relay

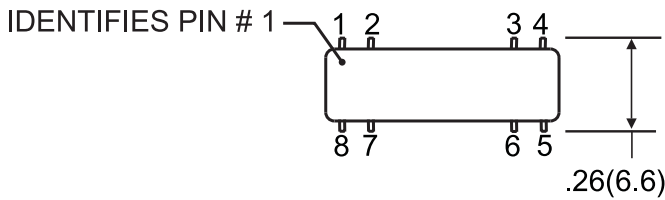
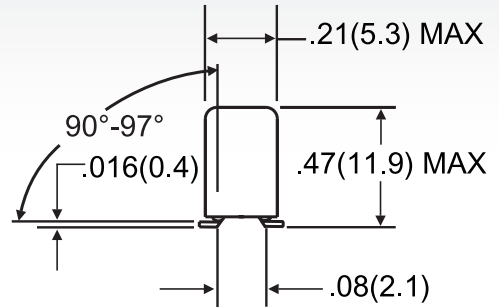
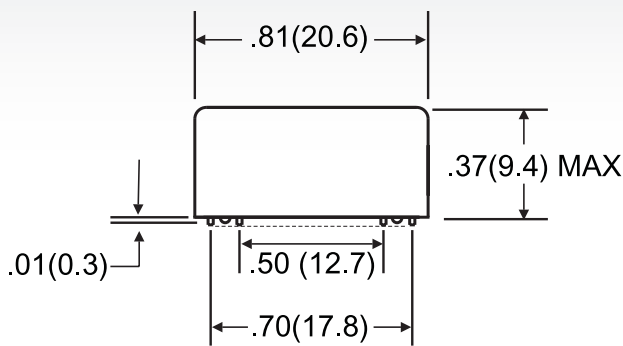
The 2362 is the Surface Mount version of Coto Technology's popular 2342 2 Form C Pico relay. The 2362 offers a proven reed design with longer life than competing 2 Form C EMR products. The 2362 is the ideal solution for automated test, instrumentation and telecommunication applications to increase system reliability and life.

2362 Series Features

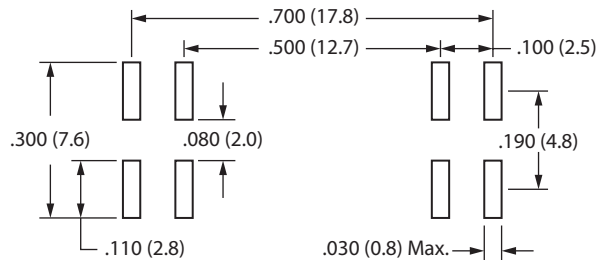
- ▶ 2 Form C Contacts
- ▶ Hermetically Sealed Contacts
- ▶ Long Life / High Reliability
- ▶ Magnetically Shielding Steel Shell
- ▶ Surface Mount Relay
- ▶ RoHS compliant

DIMENSIONS

in Inches (Millimeters)



RECOMMENDED LAND PATTERN DIMENSIONS PER IPC STANDARDS



Ordering Information

Part Number 2362-XX-000

Coil Voltage

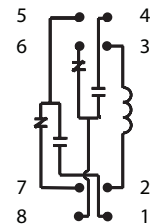
05=5 volts

12=12 volts

06222015

MODEL NUMBER			2362
Parameters	Test Conditions	Units	2 Form C
COIL SPECS.			
Nom. Coil Voltage		VDC	5 12
Coil Resistance	+/- 10%, 25° C	Ω	175 1000
Operate Voltage	Must Operate by	VDC - Max.	3.8 9.0
Release Voltage	Must Release by	VDC - Min.	0.4 1.0
CONTACT RATINGS			
Switching Voltage	Max DC/Peak AC Resist.	Volts	100
Switching Current	Max DC/Peak AC Resist.	Amps	0.25
Carry Current	Max DC/Peak AC Resist.	Amps	0.5
Contact Rating	Max DC/Peak AC Resist.	Watts	3
Life Expectancy-Typical ¹	Signal Level 1.0V, 10mA	x 10 ⁶ Ops.	250
Static Contact Resistance (max. init.)	50mV, 10mA	Ω	0.200
Dynamic Contact Resistance (max. init.)	0.5V, 50mA at 100 Hz, 1.5 msec	Ω	0.250
RELAY SPECIFICATIONS			
Insulation Resistance (minimum)	Between all Isolated Pins at 100V, 25°C, 40% RH	Ω	10 ⁹
Capacitance - Typical Across Open Contacts	No Shield	pF	2.0
	Shield Guarding	pF	N/A
Dielectric Strength (minimum)	Between Contacts	VDC/peak AC	200
	Contacts to Shield	AC	N/A
	Contacts/Shield to Coil	VDC/peak AC	1000
Operate Time - including bounce - Typical	At Nominal Coil Voltage, 30 Hz Square Wave	msec.	1.5
Release Time - Typical		msec.	2.0

Top View:
Dot stamped on top of relay refers to pin #1 location
Grid = .1"x.1" (2.54mm x 2.54mm)



Notes:

¹ Consult factory for life expectancy at other switching loads.

Environmental Ratings:

Storage Temp: -35°C to +100°C; *Operating Temp:* -20°C to +85°C

Max Relay Temp During Solder Reflow Process: 260°C for 1 minute maximum

All electrical parameters measured at 25°C unless otherwise specified.

Vibration: 20 G's to 2000 Hz; *Shock:* 50 G's

06222015

X-ON Electronics

Largest Supplier of Electrical and Electronic Components

Click to view similar products for [Reed Relays](#) category:

Click to view products by [Coto](#) manufacturer:

Other Similar products are found below :

[CUPE001A624](#) [CUPE004A605](#) [8000-0217](#) [922A06C4C](#) [PRMA1A24B](#) [HGS1021](#) [HGS1048](#) [HGZM1C24](#) [HGZM2C05](#) [HGZM2C12](#)
[HGZM2C48](#) [134MPCX-3](#) [MSS62A05](#) [MSS71A05](#) [MSS71A05B](#) [MSS71A12](#) [MSS71A12B](#) [MSS71A24](#) [HYR2001-1520](#) [9000-0153](#) [2600-0308](#) [2653-12-310](#) [2610-12-310](#) [2611-05-310](#) [PRMA1B05B](#) [2653-05-310](#) [HGP1005](#) [HGS1019](#) [HGS2M5114](#) [HGZM1C05](#) [HGZM1C12](#)
[HGZM1C48](#) [3-1393771-5](#) [3432-12-91](#) [CUPV50020](#) [HYR2031-1520](#) [V23100V4305C11](#) [W107DIP-43](#) [W193RE1C3-12G](#) [W193RE2A3-12G](#)
[W193RE2C3-24G](#) [W193RE3A3-24G](#) [W193RE3C3-24G](#) [W193RE4C3-12G](#) [5000-0242](#) [W193RE4C3-24G](#) [W193RE4A3-24G](#) [W193RE4A3-12G](#) [W193RE2C3-12G](#) [W193RE2A3-24G](#)