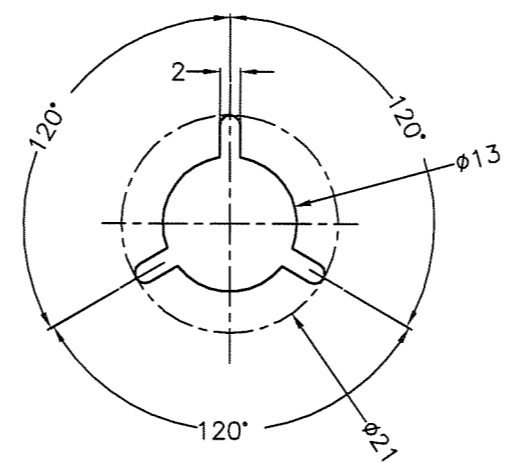
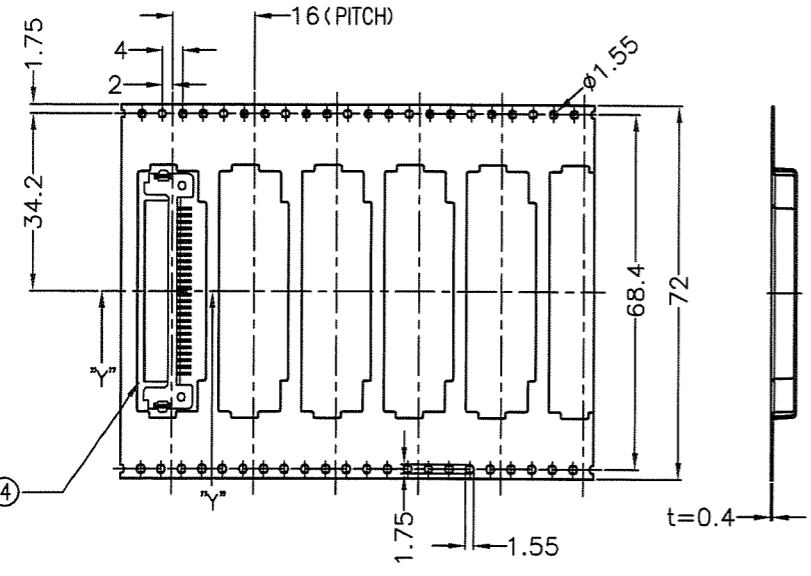
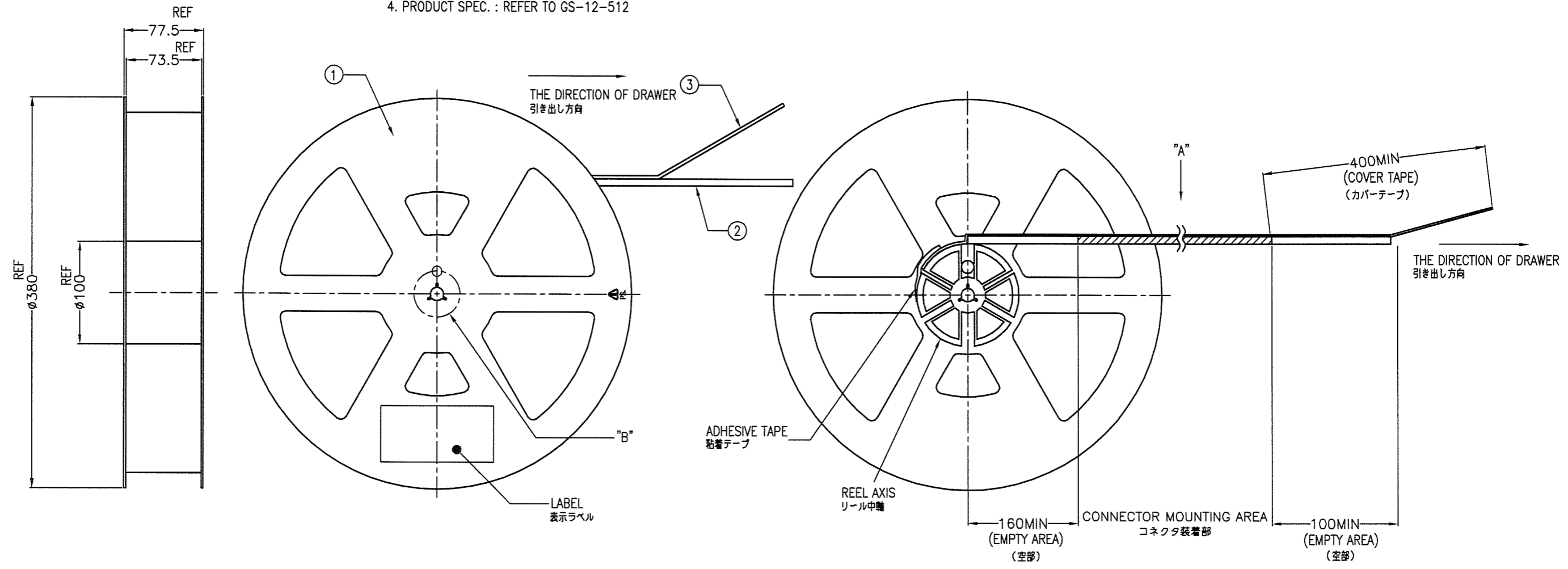


PRODUCT NO.	Connector QTY.	TOOLING AVAILABLE
10079510-001TLF	1,000	YES

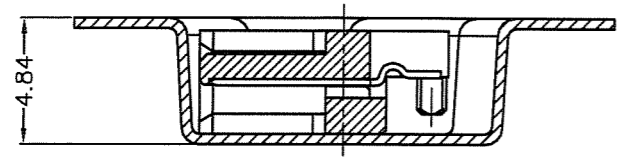
NOTE  
 1. THIS ARTICLE CARRIES OUT THE EMBOSS TAPE PACKAGE OF THE SERIAL-IVDR PLUG CONNECTOR.  
 2. THE SHAPE AND DIMENSION OF THIS ARTICLE ARE BASED ON JIS C 0806.  
 (TAPING OF ELECTRIC PARTS < SURFACE MOUNTED DEVICE)  
 3. PACKAGING SPEC. : REFER TO GS-14-1285  
 4. PRODUCT SPEC. : REFER TO GS-12-512

**EMBOSS PACKAGE**



DETAIL B (2:1)

VIEW A (1:1)



SECTION "Y"- "Y" (5:1)

**PARTS TABLE 部品表**

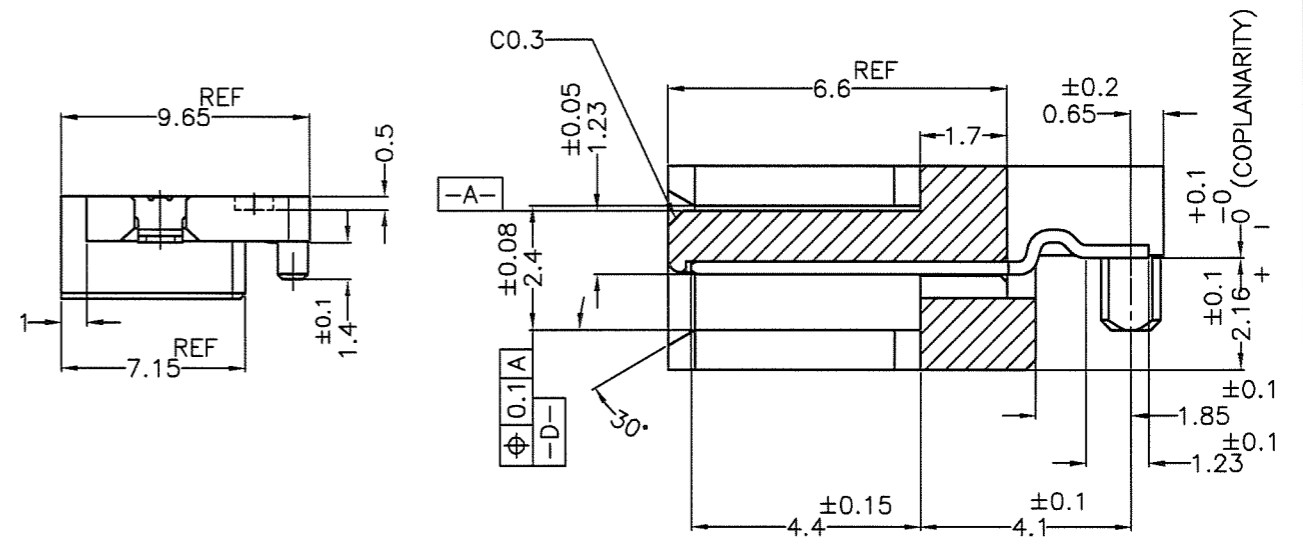
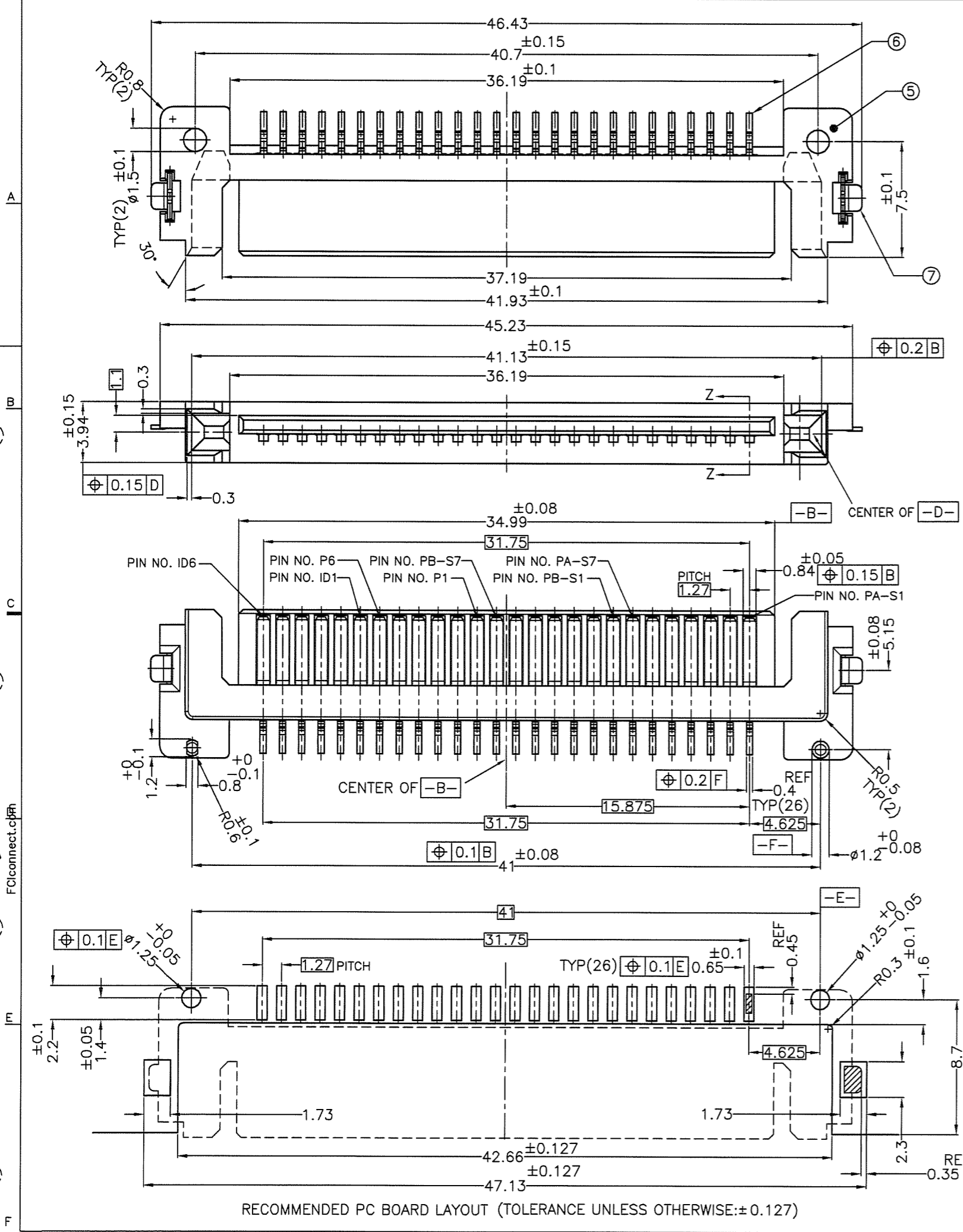
No.	PART NAME 部品名	Material 材質	QTY.	Note 備考
①	THE REEL FOR PACKAGING 梱包用リール	POLYSTYRENE ポリスチレン	1	Color : BLUE, ELECTRIFICATION PREVENTION PROCESSING 色 : 青、帯電防止処理品
②	EMBOSS TAPE エンボステープ	PET	1	ELECTRIFICATION PREVENTION PROCESSING 帯電防止処理品
③	COVER TAPE カバーテープ	POLYESTER ポリエステル	1	---
④	CONNECTOR コネクタ	SEE SHEET 2	1,000	---

mat'l. code	surface	tolerance	projection	product family	CODE
---	ISO 1302	ISO 406	mm	55SF Removable HDD	JP
itr	description	ecn no	dr	date	title
A	RELEASED	J08-0183	N.S	2008-5-13	ASSEMBLY
					S-IVDR COMB PLUG
					SMT HORIZONTAL TYPE
					dwg no
					sheet 1 of 2 size
					10079510
					A2
					type
					PRODUCT CUSTOMER Drawing
sheet	revision	A	A		Rev.
index	sheet	1	2		A

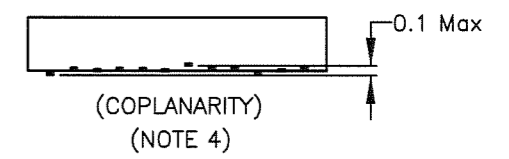
# CONNECTOR ASSY

PARTS TABLE 部品表

No.	PART NAME 部品名	QTY.	NOTE 備考
⑤	HOUSING ハウジング	1	HIGH TEMP THERMOPLASTIC COLOR : BLACK , UL94V-0
⑥	CONTACT コンタクト	26	COPPER ALLOY CONTACT AREA : Au SOLDERING AREA : Au
⑦	SOLDER PEG 溶接金具	2	COPPER ALLOY TIN PLATING



- NOTE
- THIS PRODUCT MEETS THE Serial iVDR SPEC REV.1.0
  - MATERIAL
    - HOUSING : HIGH TEMPERATURE THERMOPLASTIC, BLACK, UL94V-0
    - TERMINAL, SOLDER PEG: COPPER ALLOY
  - FINISH
    - TERMINAL : ALL OVER Ni 1.27 $\mu$ m MIN.  
CONTACT POINT Au PLATING 0.3 $\mu$ m MIN.  
SOLDER TAIL Au Flash
    - SOLDER PEG: ALL OVER Ni 1.27 $\mu$ m MIN.  
PURE-Sn 1.27 $\mu$ m MIN.
  - COPLANARITY : 0.1 MAX.



2	26	1	10079510-001LF
⑦ SOLDER PEG QTY	⑥ CONTACT QTY	⑤ HOUSING QTY	PRODUCT NO.
mat'l. code		surface	tolerance
---		iso 1302	iso 406
---		iso 1101	iso 1101
---		tolerances unless otherwise specified	projection
---		linear	mm
---		angles	mm
---		$\pm 2^\circ$	scale 5:1
---		dr	N.SASAME 2008-5-13
---		enr	N.SASAME 2008-5-13
---		chr	N.SASAME 2008-5-13
---		appd	N.SASAME 2008-5-13
sheet index		revision sheet	Rev. A



Copyright FCJ

## X-ON Electronics

Largest Supplier of Electrical and Electronic Components

*Click to view similar products for [I/O Connectors](#) category:*

*Click to view products by [Amphenol](#) manufacturer:*

Other Similar products are found below :

[571763P](#) [58098-0628](#) [61-168618-12P](#) [D38999/20FJ24PA L/C](#) [D38999/20FJ29SB L/C](#) [D38999/24FG11SN L/C](#) [72.250.1628.2](#) [72.250.2428.2](#)  
[74720-0505](#) [747680210](#) [76.350.0729.0](#) [76871-1403](#) [FCN-244F080-G/1](#) [FCN-260A9920](#) [FCN-268D024-G/2F#10X-R10](#) [MP-5T180MUNNA-](#)  
[005](#) [MP-5XRJ45UNNB-003](#) [PCS-E50FA](#) [PCS-XE26LKA](#) [PCS-XE26MA+](#) [PCS-XES68MS+](#) [G38A71314B](#) [91-569719-35R](#) [9776-18-6](#)  
[DX40-50P\(55\)](#) [1571250010](#) [157-22500-3](#) [MS3471L14-19P L/C](#) [MS3476W12-10S L/C](#) [171224-6031](#) [1888020-8](#) [91-569786-35H](#) [91-569786-](#)  
[35M](#) [91-644626-35P](#) [172501-4002](#) [172501-6002](#) [FCN-260C008-A/L0](#) [FCN-260C024-AL0](#) [FCN-261Z008](#) [FCN-268D008-G/1K](#) [2000314-1](#)  
[200331-1](#) [2007498-2](#) [PCR-E28LMDAG1+](#) [PCR-E36FC+](#) [PCS-E28FS+](#) [PCS-XE26SLFD+](#) [PCS-XE26SLFDT+](#) [G38A71214B](#) [HDRA-](#)  
[E68W1LFDTC-SL+](#)