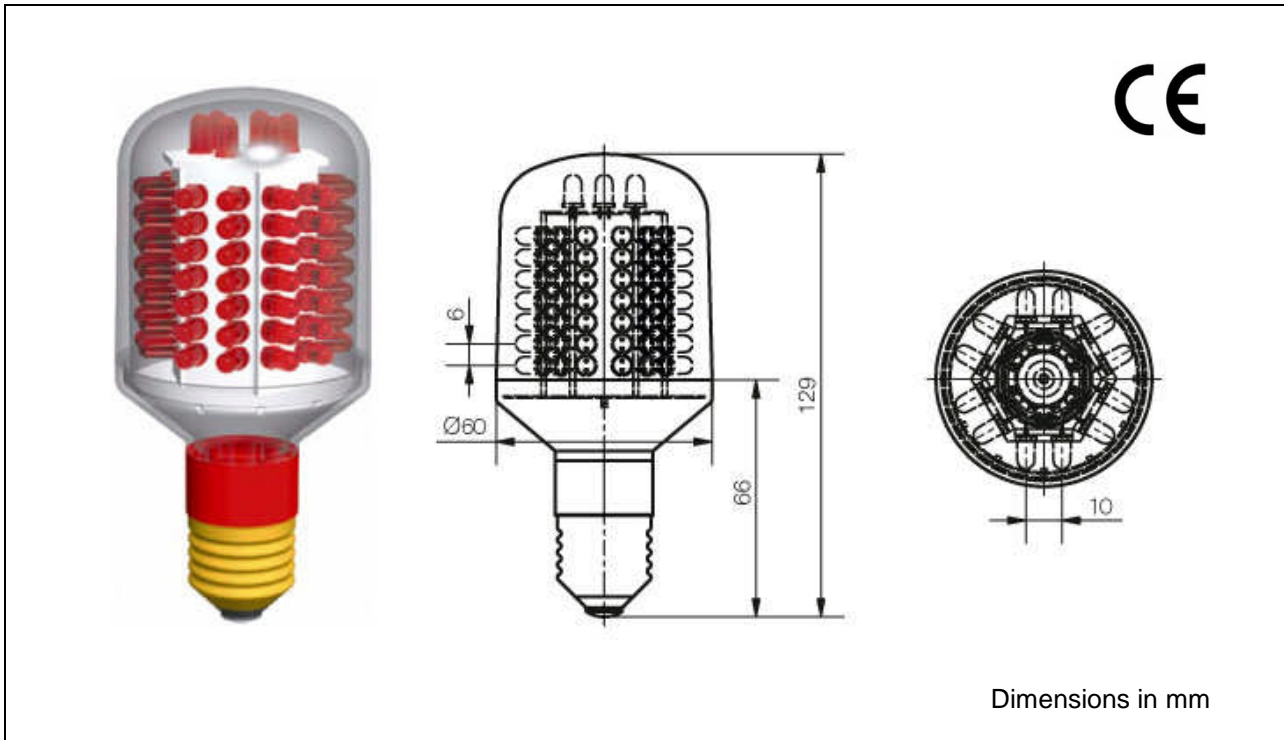


PRODUCT DATA SHEET



RED LED Cluster Lamp - 230 / 240VAC E27	MBFE2790508
---	-------------



Description:

A high performance, weather protected LED lamp with both radial and top irradiation intended primarily as a long life, high reliability replacement for GLS filament lamp for use in glass dome bulk-head luminaires. Typical use for building protection on airfields.

Construction:

6 white, high reflectivity plaques, each containing 14 LEDs to provide uniform emission through 360° radial plane, plus 6 LEDs mounted for emission through the transparent polycarbonate dome.

Performance:

Within a red dome application the illumination from the MBFE2790508 LED lamp is more than twice than that of a conventional 40W GLS filament lamp. (17 Lux/1m Vs 7 Lux/1m)

Specification:

No of LEDs:	90 (6 segments of 14 around circumference + 6 LEDs at the dome)
Dominant Wavelength:	628 nm
LED Protection:	Zener diodes.
Power Rating:	3.6W
Operating Temperature:	-40° to 70°C
Storage Temperature:	-40° to 100°C
Operating Life:	50,000 hours until decay to 50% of original brightness.

Notes.

- 1) Available in yellow, blue, green and white options.
- 2) Available with BA22d base option.
- 3) Designed and made in Europe.

X-ON Electronics

Largest Supplier of Electrical and Electronic Components

Click to view similar products for [clandell](#) manufacturer:

Other Similar products are found below :

[LB3002006NWF](#) [MBRD150864](#)