

HOW TO ORDER:

EXAMPLE: 230-011 P 11 - 35 C N

BASIC NO _____

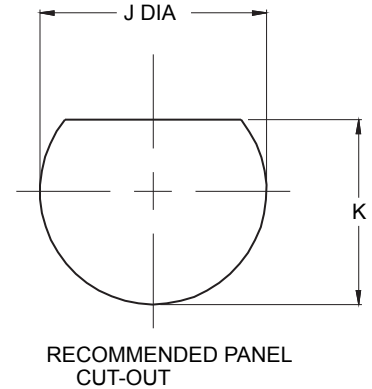
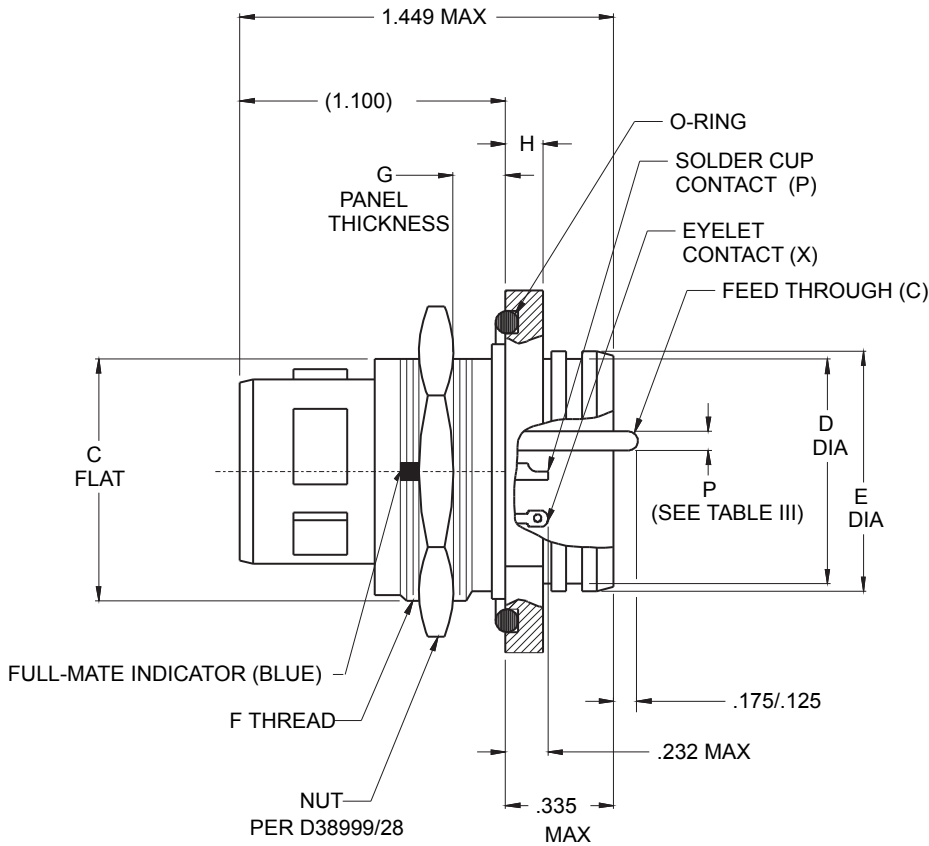
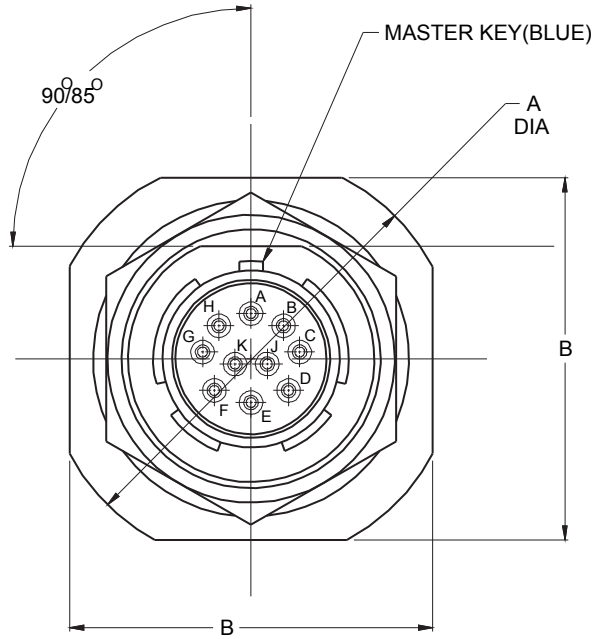
MAT'L & FINISH
 P = CRES, NICKEL FINISH
 Z1 = CRES, PASSIVATED

SHELL SIZE _____

INSERT ARRANGEMENT Δ _____

CONTACT STYLE:
 P = PIN, SOLDER CUP
 X = PIN, EYELET
 C = PIN, FEEDTHROUGH

POLARIZATION
 A,B,C,D,K (N = NORMAL)



| CONTACT SIZE | ϕ P |
|--------------|-------------|
| 22D | .011 (0.3) |
| | .015 (0.4) |
| 20 | .024 (0.6) |
| | .028 (0.7) |
| 16 | .0635 (1.6) |
| | .0615 (1.6) |
| 12 | .095 (2.4) |
| | .093 (2.4) |

230-011
Hermetic Receptacle, Jam Nut Mount
MIL-DTL-38999 Series IV



MIL-DTL-38999

| SHELL SIZE CODE | SHELL SIZE | A DIA | B ±.018 (0.5) | C FLAT | D DIA | E DIA ±.010 (0.3) |
|-----------------|------------|--------------|---------------|--------------|--------------|-------------------|
| B | 11 | 1.385 (35.2) | 1.250 (31.8) | .754 (19.2) | .733 (18.6) | .769 (19.5) |
| | | 1.362 (34.6) | | .745 (18.9) | .716 (18.2) | |
| C | 13 | 1.511 (38.4) | 1.376 (35.0) | .941 (23.9) | .858 (21.8) | .899 (22.8) |
| | | 1.488 (37.8) | | .932 (23.7) | .839 (21.3) | |
| D | 15 | 1.637 (41.6) | 1.502 (38.2) | 1.065 (27.1) | .984 (25.0) | 1.025 (26.0) |
| | | 1.614 (41.0) | | 1.056 (26.8) | .968 (24.6) | |
| E | 17 | 1.763 (44.8) | 1.624 (41.2) | 1.190 (30.2) | 1.110 (28.2) | 1.147 (29.1) |
| | | 1.740 (44.2) | | 1.181 (30.0) | 1.091 (27.7) | |
| F | 19 | 1.948 (49.5) | 1.813 (46.1) | 1.316 (33.4) | 1.236 (31.4) | 1.273 (32.3) |
| | | 1.925 (48.9) | | 1.306 (33.2) | 1.220 (31.0) | |
| G | 21 | 2.074 (52.7) | 1.939 (49.3) | 1.441 (36.6) | 1.358 (34.5) | 1.399 (35.5) |
| | | 2.051 (52.1) | | 1.431 (36.3) | 1.342 (34.1) | |
| H | 23 | 2.200 (55.9) | 2.061 (52.3) | 1.565 (39.8) | 1.484 (37.7) | 1.525 (38.7) |
| | | 2.177 (55.3) | | 1.556 (39.5) | 1.468 (37.3) | |
| J | 25 | 2.326 (59.1) | 2.187 (55.5) | 1.692 (43.0) | 1.610 (40.9) | 1.647 (41.8) |
| | | 2.299 (58.4) | | 1.681 (42.7) | 1.594 (40.5) | |

| SHELL SIZE CODE | F THREAD ISO METRIC | G ±.033 (0.8) | H ±.012 (0.3) | J DIA ±.005 (0.1) | K ±.005 (0.1) |
|-----------------|---------------------------|---------------|---------------|-------------------|---------------|
| B | M20 X 1.0-6g | .092 (2.3) | .106 (2.7) | .827 (21.0) | .764 (19.4) |
| C | M25 X 1.0-6g | .092 (2.3) | .106 (2.7) | 1.012 (25.7) | .950 (24.1) |
| D | M28 X 1.0-6g | .092 (2.3) | .106 (2.7) | 1.139 (28.9) | 1.079 (27.4) |
| E | M32 X 1.0-6g ² | .092 (2.3) | .106 (2.7) | 1.266 (32.2) | 1.203 (30.6) |
| F | M35 X 1.0-6g | .092 (2.3) | .137 (3.5) | 1.389 (35.3) | 1.328 (33.7) |
| G | M38 X 1.0-6g | .092 (2.3) | .137 (3.5) | 1.512 (38.4) | 1.454 (36.9) |
| H | M41 X 1.0-6g | .092 (2.3) | .137 (3.5) | 1.639 (41.6) | 1.575 (40.0) |
| J | M44 X 1.0-6g | .092 (2.3) | .137 (3.5) | 1.764 (44.8) | 1.704 (43.3) |

NOTES:

- ASSEMBLY IDENTIFIED WITH MANUFACTURER'S NAME AND P/N, SPACE PERMITTING.
- ² MODIFIED MAJOR DIAMETER 31.95 - 31.80 (1.257-1.252).
- ³ INSERT ARRANGEMENTS IN ACCORDANCE WITH MIL-STD-1560, SEE TABLE II.
- GLENAIR 230-011 RECEPTACLE CONNECTOR IS DESIGNED TO MATE WITH ANY QPL MANUFACTURER'S MIL-C-38999 SERIES IV PLUG CONNECTOR HAVING THE SAME INSERT ARRANGEMENT & POLARIZATION.
- MATERIAL/FINISH:
 SHELL, NUT - CRES/PASSIVATED OR CRES/NICKEL PER QQ-N-290.
 CONTACTS - NICKEL IRON ALLOY 52/GOLD
 INSULATOR - FUSED VITREOUS GLASS/N.A.
 SEALS - FLUOROSILICONE RUBBER/N.A.
- GLENAIR'S 230-011 SAME AS D38999/43.

| PATTERN | 22D | 20 | 16 | 12 | 10 |
|---------|-----|----|----|----|----|
| 11-2 | | | 2 | | |
| 11-4 | | 4 | | | |
| 11-5 | | 5 | | | |
| 11-35 | 13 | | | | |
| 11-98 | | 6 | | | |
| 11-99 | | 7 | | | |
| 13-4 | | | 4 | | |
| 13-8 | | 8 | | | |
| 13-35 | 22 | | | | |
| 13-98 | | 10 | | | |
| 15-5 | | | 5 | | |
| 15-15 | | 14 | 1 | | |
| 15-18 | | 18 | | | |
| 15-19 | | 19 | | | |
| 15-35 | 37 | | | | |
| 15-97 | | 8 | 4 | | |
| 17-6 | | | | 6 | |
| 17-8 | | | 8 | | |
| 17-26 | | 26 | | | |
| 17-35 | 55 | | | | |
| 17-99 | | 21 | 2 | | |
| 19-11 | | | 11 | | |
| 19-28 | | 26 | 2 | | |
| 19-30 | | 29 | 1 | | |
| 19-32 | | 32 | | | |
| 19-35 | 66 | | | | |
| 19-45 | 67 | | | | |
| 21-11 | | | | 11 | |
| 21-16 | | | 16 | | |
| 21-24 | | 24 | | | |
| 21-25 | | 25 | | | |
| 21-27 | | 27 | | | |
| 21-35 | 79 | | | | |
| 21-39 | | 37 | 2 | | |
| 21-41 | | 41 | | | |
| 23-21 | | | 21 | | |
| 23-32 | | 32 | | | |
| 23-34 | | 34 | | | |
| 23-35 | 100 | | | | |
| 23-36 | | 36 | | | |
| 23-53 | | 53 | | | |
| 23-55 | | 55 | | | |
| 23-97 | | | 16 | | |
| 23-99 | | | 11 | | |
| 25-4 | | 48 | 8 | | |
| 25-11 | | 2 | | | 9 |
| 25-19 | | | | 19 | |
| 25-24 | | | 12 | 12 | |
| 25-29 | | | 29 | | |
| 25-35 | 128 | | | | |
| 25-43 | | 23 | 20 | | |
| 25-61 | | 61 | | | |

X-ON Electronics

Largest Supplier of Electrical and Electronic Components

Click to view similar products for [Circular DIN Connectors](#) category:

Click to view products by [Glenair](#) manufacturer:

Other Similar products are found below :

[CTV06RQF-25-8SA-LC](#) [CTV06RQF-25-8S-LC](#) [CTV06RQW-25-8SB-LC](#) [CTV06RW-25-20P](#) [CTV06RW-25-20PA](#) [CTV06RW-25-20PB](#)
[CTV06RW-25-20PE-LC](#) [CTV06RW-25-20SB](#) [CTV06RW-25-20SE](#) [CTV07RW-17-8S\(506\)](#) [CTVP00RW-19-32S\(506\)](#) [CTVP00RW-9-35S\(506\)](#) [M83723/71R20416](#) [M83723/71R22196](#) [M83723/71W2039N](#) [M83723/71W24196](#) [M83723/71W2419N](#) [M83723/72A1404N-LC](#)
[M83723/72R1203N](#) [M83723/72W20418](#) [M83723/72W22126](#) [M83723/72W22556](#) [M83723/72W2419N](#) [M83723/72W2461N](#)
[M83723/73R2028N](#) [M83723/73R2039N](#) [M83723/73W1412N](#) [M83723/73W2039N](#) [M83723/74R1624N](#) [M83723/74R1808N](#)
[M83723/74R2212N](#) [M83723/74W1203N](#) [M83723/74W1412N](#) [M83723/74W20416](#) [M83723/74W2041N](#) [M83723/75R10058](#)
[M83723/75W2232N](#) [M83723/76R14157](#) [M83723/76R20256](#) [M83723/76W1808N](#) [M83723/76W2016N](#) [M83723/76W2461N](#)
[M83723/77W2016N](#) [M83723/78R22327](#) [M83723/78W2212N](#) [M83723/78W22556](#) [M85049/50-5F](#) [D38999/20FF11AC](#) [D38999/20FJ20BB](#)
[D38999/20FJ20SC](#)