

starCASE




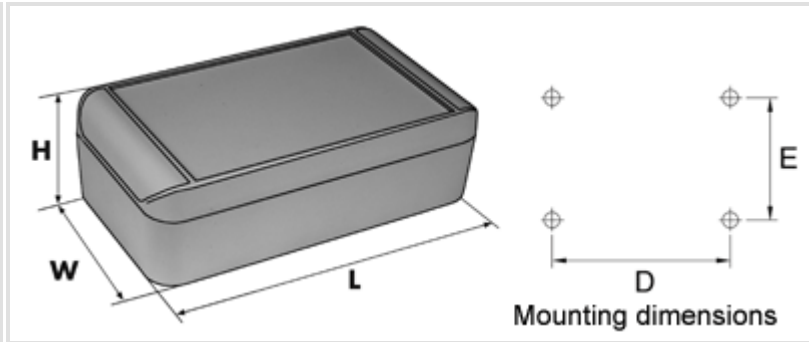
DESIGNER IP 66 ENCLOSURES

1. Advanced contoured IP 66 enclosures
2. Ideal for housing modern electronics and electrical systems
3. Suitable for wall mounting or portable applications
4. Hinged flush-fitting trims hide the case fixing screws
5. Wall mounting screw shafts also hidden under the trims
6. Two lid retaining straps included
7. Recessed area in the lid for mounting membrane keypads
8. Material: ABS, flame retardant UL 94 V-0
9. Standard colour light grey, RAL 7035
10. Easily customised to suit your components
11. Also available from our [Distributors](#)

FEATURES

| | | | |
|--|---|--|---|
|  <p>1</p> |  <p>2</p> |  <p>3</p> | <ol style="list-style-type: none"> 1. Hinged Trims 2. Plastic Lid Retainers 3. Optional Key Lock |
|--|---|--|---|

starCASE

| | |
|---|---|
|  |  <p style="text-align: center;">Mounting dimensions</p> |
|---|---|

| Part No. starCASE (click for price!) | Type | W | L | H | D | E | Weight | Drawings PDF or DWG Formats |
|--|--------|-----|-----|----|-----|-----|--------|---|
| 230.090.000 | SC 090 | 90 | 120 | 50 | 99 | 34 | 155g | PDF DWG |
| 230.092.000 | SC 092 | 90 | 160 | 50 | 139 | 34 | 191g | PDF DWG |
| 230.112.000 | SC 112 | 110 | 200 | 60 | 179 | 54 | 346g | PDF DWG |
| 230.130.000 | SC 130 | 130 | 160 | 60 | 139 | 74 | 277g | PDF DWG |
| 230.172.000 | SC 172 | 170 | 280 | 60 | 259 | 114 | 531g | PDF DWG |

TECHNICAL DATA & OPTIONS

| | |
|----------------|--|
| Case Mouldings | ABS, Flame Retardant (UL 94 V-0) Light grey, RAL 7035 |
|----------------|--|

| | | |
|------------------------------------|---|---|
| |  | Fully insulated, VDE 0100 |
| Case Lids Gasket |  | Silicon moulded gasket Black TPE / Temp range -30°C to 100°C |
| Lid Fixing Screws |  | Stainless steel |
| Ingress Protection |  | IP 66 / DIN EN 60529 |
| Enclosure Temperature Range |  | -40°C to +80°C |
| Modifications |  | We can supply the enclosures ready for your assemblies by drilling, milling, engraving, painting, silk-screen printing, adding inserts and much more. Just ask us for a quotation. More about customising... |

[Request a catalogue](#)

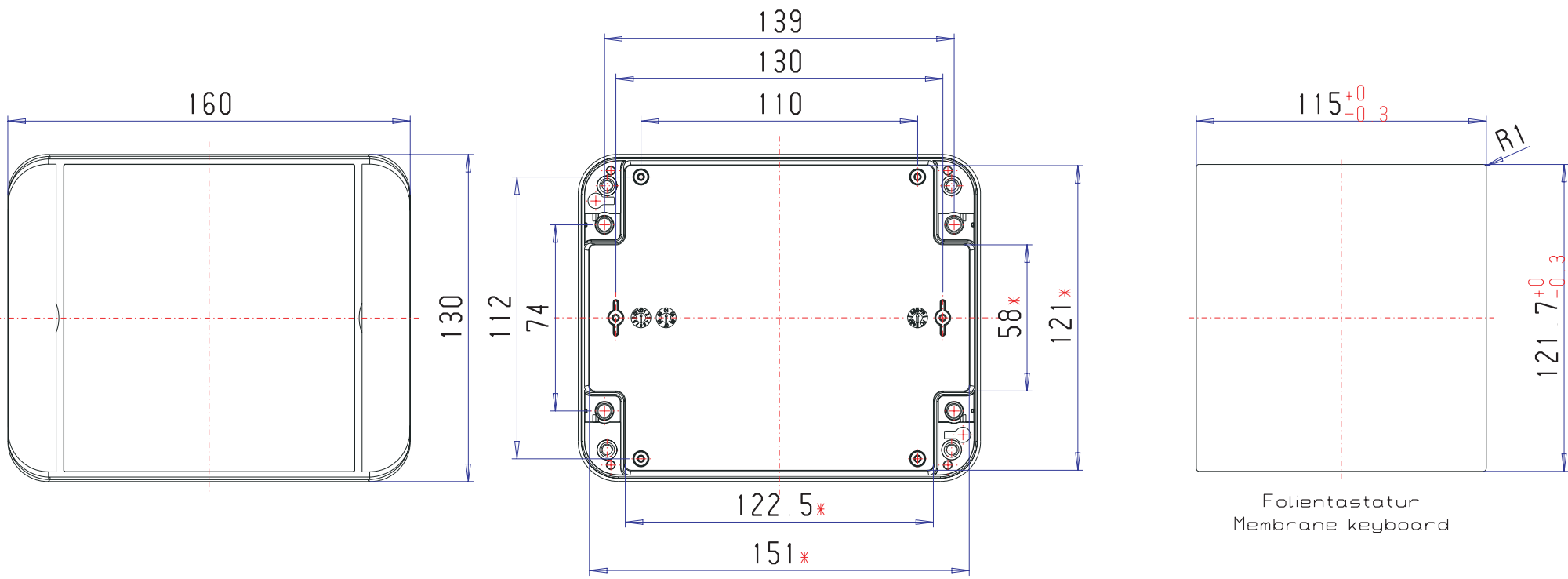
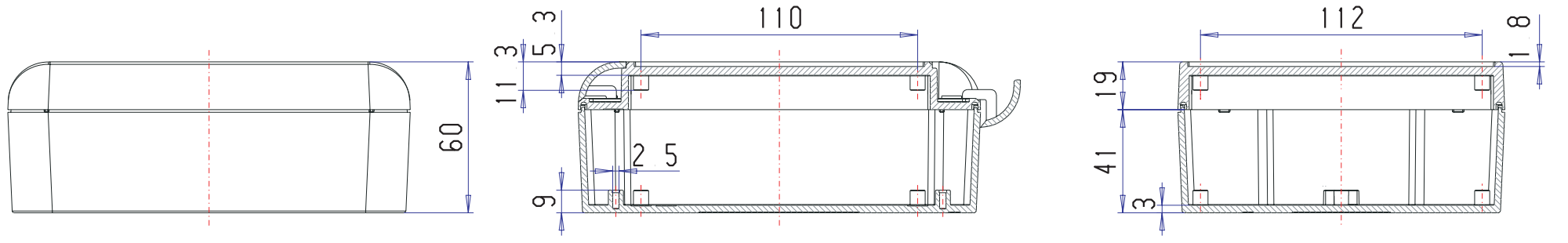
[return to enclosures index](#)

[Request a sample](#)

[Home](#) [About Us](#) [Enclosures](#) [Technical](#) [Service Desk](#) [News](#) [Contact](#)

CALL (01489) 583858

Legal notice: copyright © 2000-2005 OKW Enclosures Ltd, UK. All rights reserved. Rev: 2005.01.04
Rolec ® is the registered trademark of Rolec Gehäuse-Systeme GmbH, Germany.



X-ON Electronics

Largest Supplier of Electrical and Electronic Components

Click to view similar products for [rolec](#) manufacturer:

Other Similar products are found below :

[230.172.000](#) [190.112.000](#) [191.172.000](#)