

**Item # 722-0001 VAC, 2-Hole Rectangular**



**VAC, 2-Hole Rectangular**

The Redington Model 722 provides an AC Hour Meter with an operating range of 90-264VAC 50/60 Hz. You no longer require two separate meters, one for 115VAC and one for 230VAC. Models are available in the standard industry housings. Its quartz time base insures accurate long-term time keeping. The Totally Sealed case protects against the environment and provides years of reliable service. All applicable models are NEMA 4X, 12 rated when mounted with optional gasket.

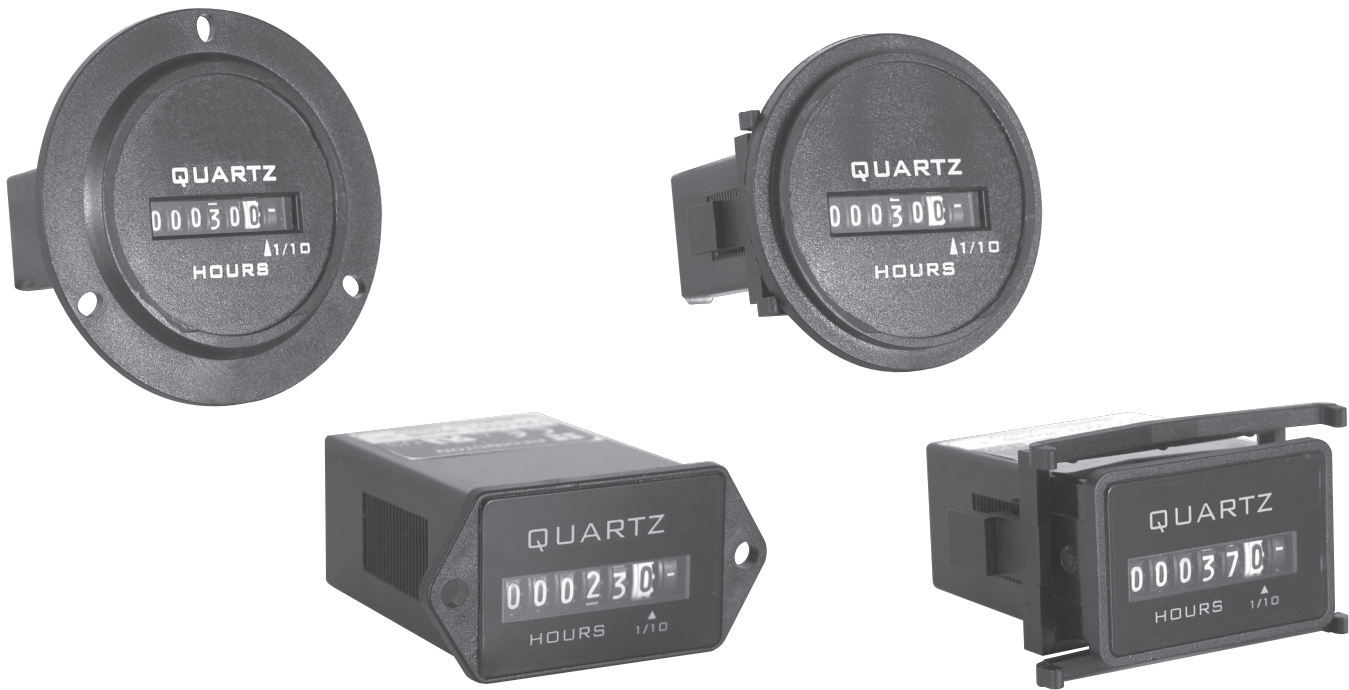
---

**Specifications**

---

|                              |   |
|------------------------------|---|
| <b>Model No.</b>             | 722   |
| <b>Mounting</b>              | 2-Hole Rectangular  |
| <b>Reset</b>                 | Non-reset   |
| <b>Termination</b>           | 1/4 inch (6.3mm) spade terminals  |
| <b>Display</b>               | 6 - digits, 0.125 inch (3.2mm) 99999.9<br>Hours - white on black<br>Tenths - red on white |
| <b>Display Height</b>        | 0.125 Inch  |
| <b>Display Height</b>        | 3.2 mm  |
| <b>No. of Digits</b>         | 6   |
| <b>Records</b>               | 99999.9 hours   |
| <b>Accuracy</b>              | ± 0.02 over entire range  |
| <b>Input Voltage</b>         | 90-240 VAC 50-60 Hz ± 10%   |
| <b>Power</b>                 | Less than 0.6 watts   |
| <b>Operating Temperature</b> | -40 to +185 °F  |
| <b>Operating Temperature</b> | -40 to +85 °C   |
| <b>Case Material</b>         | Black Polymer   |
| <b>Weight</b>                | 2 oz  |
| <b>Weight</b>                | 57 gm   |

|                                 |                                 |
|---------------------------------|---------------------------------|
| <b>Panel Cutout</b>             | 1.45 x 0.95 Inch                |
| <b>Panel Cutout</b>             | 36.8 x 24.1 mm                  |
| <b>Approvals</b>                | UL/CSA Recognized, CE Compliant |
| <b>Environmental Protection</b> | Totally sealed                  |
| <b>Vibration</b>                | 10-75 Hz                        |
| <b>Stock Availability</b>       | Yes                             |
| <b>Accessory</b>                | 5003-010 (NEMA 4X, 12 Gasket)   |



**Description**

The Redington Model 722 provides an AC Hour Meter with an operating range of 90-264VAC 50/60 Hz. You no longer require two separate meters, one for 115VAC and one for 230VAC. Models are available in the standard industry housings, 2-Hole Rectangular, Flush-Rectangular, Flush-Round and 3-Hole Round. Its quartz time base insures accurate long-term time keeping. The Totally Sealed case protects against the environment and provides years of reliable service. All models are NEMA 4X,12 rated when mounted with optional gasket.

**Features**

- Operating voltage 90-264VAC 50/60Hz
- Totally Sealed
- UL/cUL Recognized, CE & RoHS Compliant
- 6 Figure, 99999.9
- Quartz accuracy

**Options**

- Wire leads
- Gasket kit (for NEMA 4X, 12 rating)
- Custom lens
- Terminals up, down, straight

**Specifications**

**Figures:** 6 - digits, 0.14" [3.6mm] 99999.9  
Hours and indicator - white on black  
Decimal - black on white

**Reset:** Non-reset

**Voltage:** 90-264VAC

**Frequency:** 50/60Hz

**Power:** 1 watt max.

**Mounting:** Clip or mounting holes

**Termination:** ¼" [6.3mm] spade terminals

**Weight:** ~2 oz [57 g]

**Accuracy:** ± 0.02% over entire range

**Case Material:** Black polymer

**Lens Material:** Polymer

**Agency Approvals:** UL/cUL Recognized, CE & RoHS Compliant, SAE & NEMA 4X, 12 Compliant

**Environmental:** Totally Sealed

**Front Panel:** NEMA 4X, 12 rated with optional gasket

**Temperature:** -40°F to +185°F [-40°C to + 85°C]

**Humidity:** 95% (SAE J1378)

**Vibration:** 10-80 Hz, 20g max. (SAE J1378)

**Shock:** 55g @ 9 - 13msec (SAE J1378)

**Models Description**

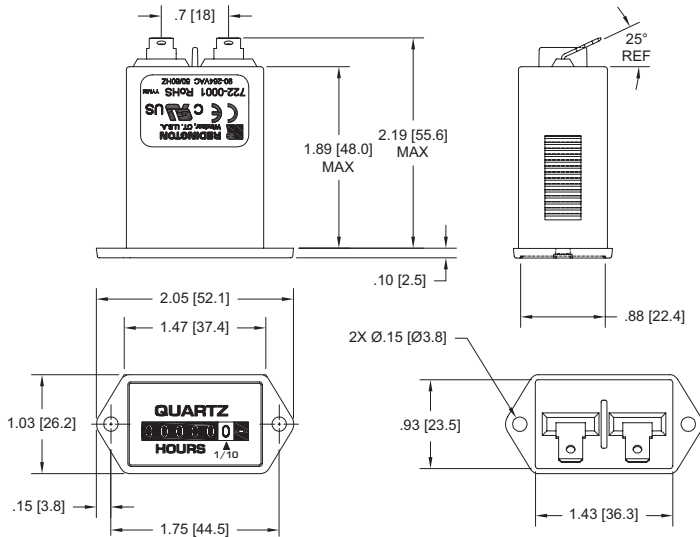
|          |   |
|----------|---|
| 722-0001 | 2-Hole Rectangular, 90-264VAC 50/60Hz, ¼" [6.3mm] spade terminals, hours & 1/10's |
| 722-0002 | Flush-Rectangular, 90-264VAC 50/60Hz, ¼" [6.3mm] spade terminals, hours & 1/10's  |
| 722-0003 | Flush-Round, 90-264VAC 50/60Hz, ¼" [6.3mm] spade terminals, hours & 1/10's        |
| 722-0004 | 3-Hole Round, 90-264VAC 50/60Hz, ¼" [6.3mm] spade terminals, hours & 1/10's       |
| 5003-009 | NEMA 4X, 12 Gasket for Model 722-0002   |
| 5003-010 | NEMA 4X, 12 Gasket for Model 722-0001   |
| 5003-011 | NEMA 4X, 12 Gasket for Model 722-0004   |
| 5003-008 | NEMA 4X, 12 Gasket for Model 722-0003   |

\* All items are normally in factory stock



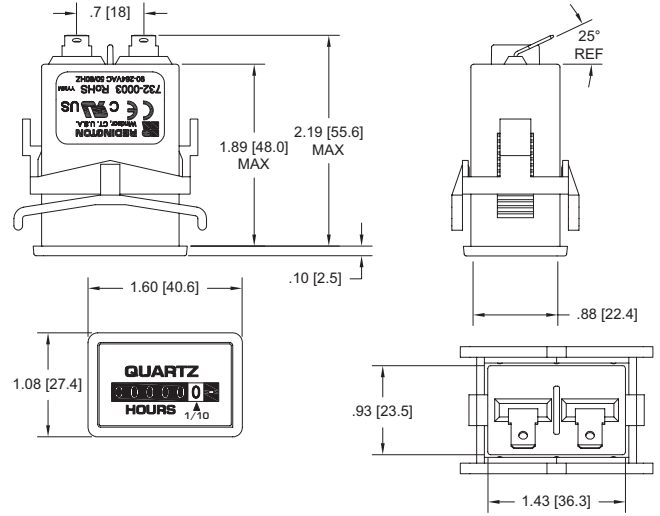
Dimensions

2-Hole



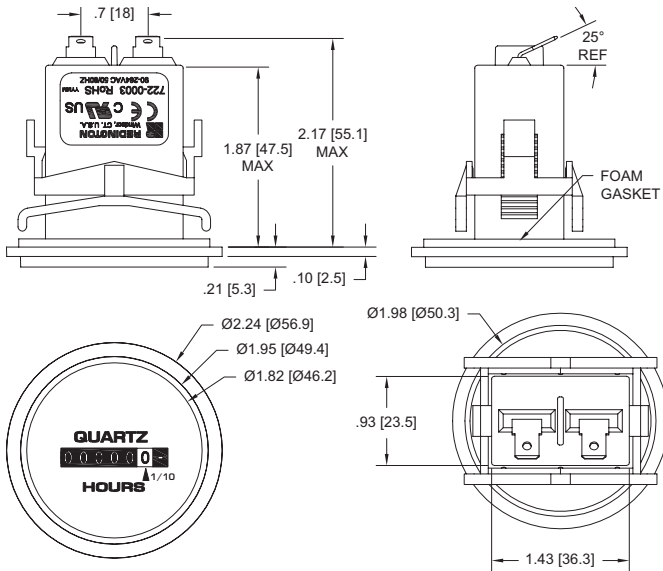
Panel Opening: 1.45" X 0.95" [36.8 X 24.1]

Flush-Rectangular



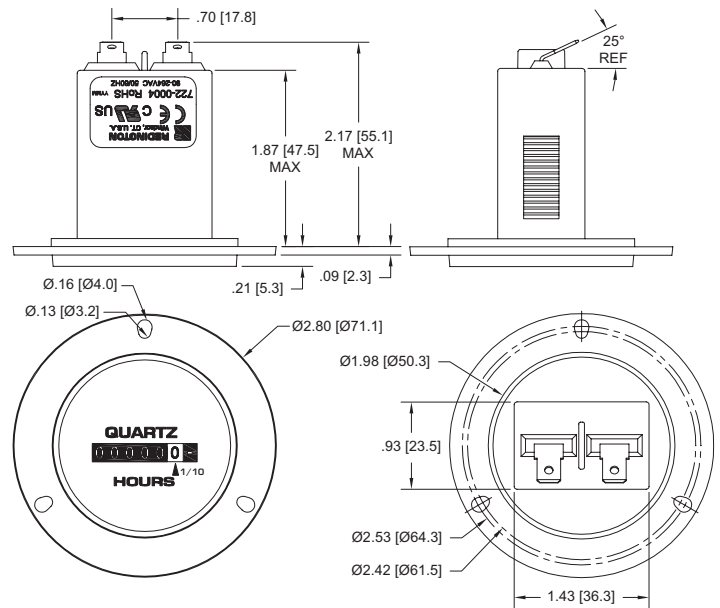
Panel Opening: 1.45" X 0.95" [36.8 X 24.1]  
Panel Thickness: 0.03 to 0.63 [0.76 to 16.00]

Flush-Round



Panel Opening: 2.0" [50.6]  
Panel Thickness: 0.40 [10.2] Max.

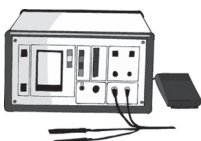
3-Hole Round



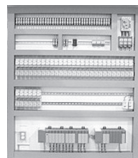
Panel Opening: 2.0" [50.6]

Applications

Medical Equipment



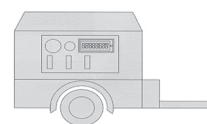
Control Panels



Test Equipment



Generators



Office Equipment



## **X-ON Electronics**

Largest Supplier of Electrical and Electronic Components

*Click to view similar products for [redington manufacturer](#):*

Other Similar products are found below :

[9415-003](#) [6320-0500-0000](#) [711-0020](#) [6300-1000-0000](#) [711-0180](#) [3400-0010](#) [P8-4904](#) [3410-3000](#) [720-6300](#) [3400-2010](#) [3400-1000](#) [1-4635](#)  
[P8-4906](#) [2-1006](#) [P2-4906](#) [6301-2000-0000](#) [6300-2500-0000](#) [3410-1000](#) [6300-0500-0000](#) [6320-2000-0000](#) [711-0160](#) [6300-1500-0000](#) [6320-2500-0000](#) [722-0003](#) [3410-0000](#) [6300-0000-0000](#) [5003-011](#) [3410-2000](#) [722-0001](#)