

**Aufbau**

Hutmutter	Polyamid PA6 V-2
Dichtring	Polychloropren-Nitrilkautschuk CR/NBR
Zwischenstutzen	Polyamid PA6 V-2
Anschlussgewinde	Pg, nach DIN 40430

**Eigenschaften**

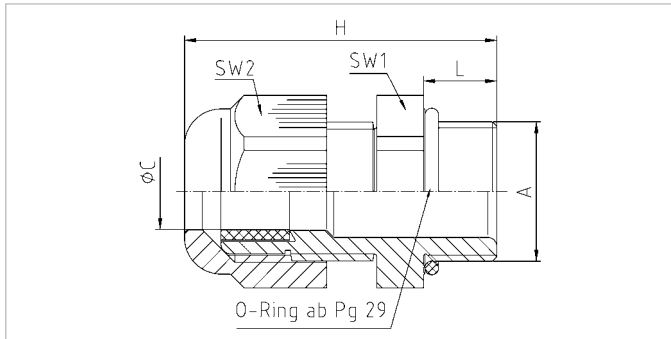
	integrierte Zugentlastung, großer Dicht- und Klemmbereich, montagefreundlich
Temperaturbereich	-20°C / +100°C
Schutzart	IP68 - 5 bar
Prüfnorm	UL 514B
UL / CSA-File	E140310
Hinweis	Angaben zu den einzelnen Prüfungen siehe Anhang

**Configuration**

Dome nut	Polyamide PA6 V-2
Sealing ring	Polychloroprene-Nitrile rubber CR/NBR
Gland body	Polyamide PA6 V-2
Connecting thread	Pg as per DIN 40430

**Properties**

	integrated anchorage, wide sealing and clamping range, easy-to-install
Temperature range	-20°C / +100°C
Protection grade	IP68 - 5 bar
Test standard	UL 514B
UL / CSA-File	E140310
Comment	details about test standards see annex


**Merkmale**
**Anschlussgewinde Standardlänge**

A	ØC	Bzm				H	⊠
		L	SW1	SW2			
	mm	mm	mm	mm	mm		
Pg 7	3 - 6,5	8	15	15	30,5	100	
Pg 9	4 - 8	8	19	19	34	100	
Pg 11	5 - 10	8	22	22	37	100	
Pg 13,5	6 - 12	9	24	24	39	100	
Pg 16	10 - 14	10	27	27	42,5	50	
Pg 21	13 - 18	11	33	33	47,5	50	
Pg 29	18 - 25	11	42	42	53	25	
Pg 36	22 - 32	13	53	53	61	10	
PG 42	30 - 38	13	60	60	65	5	
Pg 48	34 - 44	14	65	65	67	5	

**Characteristics**
**Connecting thread standard length**

RAL 7001 silbergrau silver grey		RAL 7035 lichtgrau light grey		RAL 9005 tiefschwarz jet black	
Art.-Nr. / Part No.	Art.-Nr. / Part No.	Art.-Nr. / Part No.	Art.-Nr. / Part No.	Art.-Nr. / Part No.	Art.-Nr. / Part No.
50.007 PA	50.007 PA7035	50.007 PA/SW			
50.009 PA	50.009 PA7035	50.009 PA/SW			
50.011 PA	50.011 PA7035	50.011 PA/SW			
50.013 PA	50.013 PA7035	50.013 PA/SW			
50.016 PA	50.016 PA7035	50.016 PA/SW			
50.021 PA	50.021 PA7035	50.021 PA/SW			
50.029 PA	50.029 PA7035	50.029 PA/SW			
50.036 PA	50.036 PA7035	50.036 PA/SW			
50.042 PA	50.042 PA7035	50.042 PA/SW			
50.048 PA	50.048 PA7035	50.048 PA/SW			

**Anschlussgewinde lang**

A	ØC	Bzm				H	⊠
		L	SW1	SW2			
	mm	mm	mm	mm	mm		
Pg 7	3 - 6,5	15	15	15	37,5	100	
Pg 9	4 - 8	15	19	19	41	100	
Pg 11	5 - 10	15	22	22	44	100	
Pg 13,5	6 - 12	15	24	24	45	100	
Pg 16	10 - 14	15	27	27	47,5	50	
Pg 21	13 - 18	15	33	33	51,5	50	
Pg 29	18 - 25	15	42	42	57	25	
Pg 36	22 - 32	18	53	53	66	10	

**Connecting thread long**

RAL 7001 silbergrau silver grey		RAL 7035 lichtgrau light grey		RAL 9005 tiefschwarz jet black	
Art.-Nr. / Part No.	Art.-Nr. / Part No.	Art.-Nr. / Part No.	Art.-Nr. / Part No.	Art.-Nr. / Part No.	Art.-Nr. / Part No.
50.007 PA15	50007/7035/15	50.007 PASW15			
50.009 PA15	50009/7035/15	50.009 PASW15			
50.011 PA15	50011/7035/15	50.011 PASW15			
50.013 PA15	50013/7035/15	50.013 PASW15			
50.016 PA15	50016/7035/15	50.016 PASW15			
50.021 PA15	50021/7035/15	50.021 PASW15			
50.029 PA15	50029/7035/15	50.029 PASW15			
50.036 PA18	50036/7035/18	50.036 PASW18			

## X-ON Electronics

Largest Supplier of Electrical and Electronic Components

*Click to view similar products for [Wire Identification](#) category:*

*Click to view products by [Jacob](#) manufacturer:*

Other Similar products are found below :

[CU6337-000](#) [CU6342-000](#) [FCA-410-12](#) [11631010](#) [1-1768037-1](#) [1-1768037-2](#) [1-1768050-0](#) [PXLK-VI](#) [Q62184-1](#) [A64304-000](#) [QMT221](#)  
[HK032WE1NF038B](#) [1330-0519-10](#) [1395199-1](#) [1395200-1](#) [1395202-1](#) [DMVF050WE-300S6](#) [D-SCE-1K-2.4-50-4-CS7834](#) [1538738-1](#)  
[E90935-000](#) [EC1238-000](#) [EC1465-000](#) [EC1855-000](#) [EC1859-000](#) [EC1863-000](#) [EC5415-000](#) [EC7277-000](#) [EC7352-000](#) [EC7603-000](#)  
[EC7707-000](#) [EC7735-000](#) [EC7768-000](#) [EC7828-000](#) [EC7854-000](#) [EC7952-000](#) [EC8128-000](#) [1768037-8](#) [1768041-7](#) [NC-127191-10-9](#)  
[HS048WE2NF038B](#) [C03232-000](#) [HTCM-SCE-14-4H-9](#) [HTMS-3/16-9](#) [HT-SCE-1/4-2.0-4](#) [HT-SCE-3/16-2.0-4](#) [HTTMS-1/2-1.50-9](#) [HTTMS-](#)  
[CM-1/2-4H-9](#) [HX-SCE-19.0-50-9](#) [HX-SCE-6.4-50-4](#) [C25254-000](#)